

Pico-ITXe Series

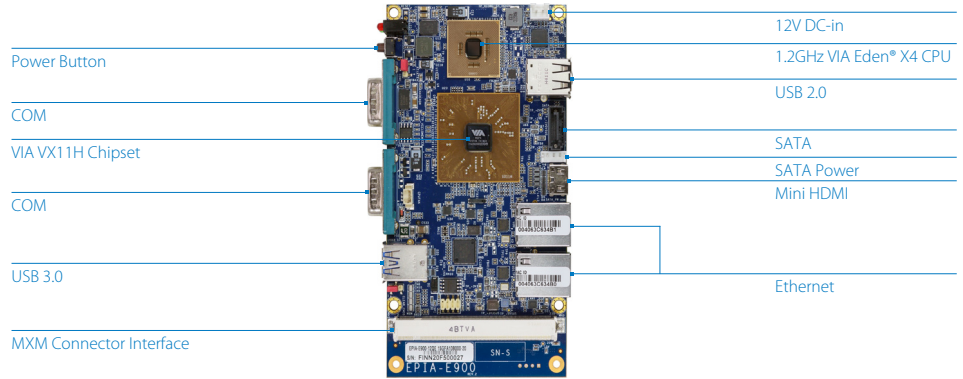
VIA EPIA-E900

Highly-integrated low-power platform with rich multimedia and I/O capabilities

Features

- Compact 13.8cm x 7.2cm Pico-ITXe form factor
- Fanless 1.2GHz VIA Eden® X4 Processor
- DX11 graphics with MPEG-2/WMV9/VC1/H.264 decoding acceleration
- Multiple expansion options
- Supports one Mini HDMI

Board Placement

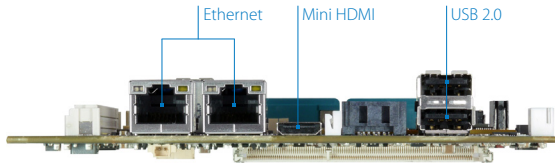


Specifications

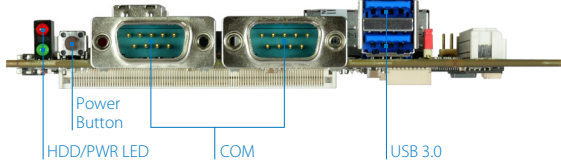
Model Name	EPIA-E900-12QE
Processor	1.2GHz VIA Eden® X4 (Fanless)
Chipset	VIA VX11H Media System Processor
BIOS	AMI Aptio UEFI BIOS, 32Mbit Flash memory
System Memory	1 DDR3 1333 SODIMM socket Up to 8GB memory size
Storage	1 SATA connector
Graphics	Integrated C-640 DX11 3D/2D graphics with MPEG-2, WMV9, VC1 and H.264 video decoding acceleration
LAN	2 Realtek RTL8111G PCIe Gigabit Ethernet controllers
Audio	Through MXM support
Super I/O	Fintek F81801U-1
Expansion I/O	MXM connector interface
MXM Connector Interface	1 SATA port 4 USB 2.0 ports 1 Display Port or HDMI port 1 Single channel 18/24-bit LVDS panel connector 1 COM port (from VX11) 1 DVP port 1 LPC 1 SMBus 1 SPI 1 Digital I/O (3GPI + 3GPO) 1 HD Audio (codec required) 1 System fan 1 PCIe x4
Onboard I/O	1 SATA connector 1 SATA power connector 1 USB pin header (supports EMIO-1533 Wi-Fi module) 1 Smart Fan pin header for CPU 1 DC-in connector
Front Panel I/O	2 USB 3.0 ports 2 COM ports 1 HDD LED 1 Power LED 1 Power button
Back Panel I/O	2 USB 2.0 ports 1 Mini HDMI port 2 Gigabit Ethernet ports
Power Supply	12V DC-in
Operating System	Windows 10/8.1/8/7, WES 7, Linux
System Monitoring & Management	Wake-on-LAN, Keyboard Power-on, Timer Power-on, System power management, AC power failure recovery, Watch Dog Timer
Operating Temperature	0°C ~ 60°C
Operating Humidity	0% ~ 95% (non-condensing)



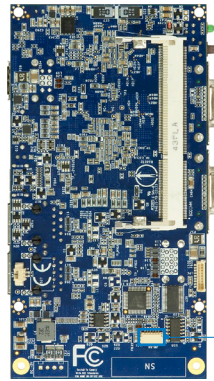
Back Panel I/O



Front Panel I/O



Accessories



EMIO-1533 USB Wi-Fi Module
802.11b/g/n standards



EMIO-1533 USB Wi-Fi + BT Module
802.11b/g/n standards
Bluetooth 2.1 + EDR specification

Specifications

Model Name	EPIA-E900-12QE
Form Factor	Pico-ITXe (13.8cm x 7.2cm, 5.4" x 2.8")
Compliance	CE/FCC

Ordering Information

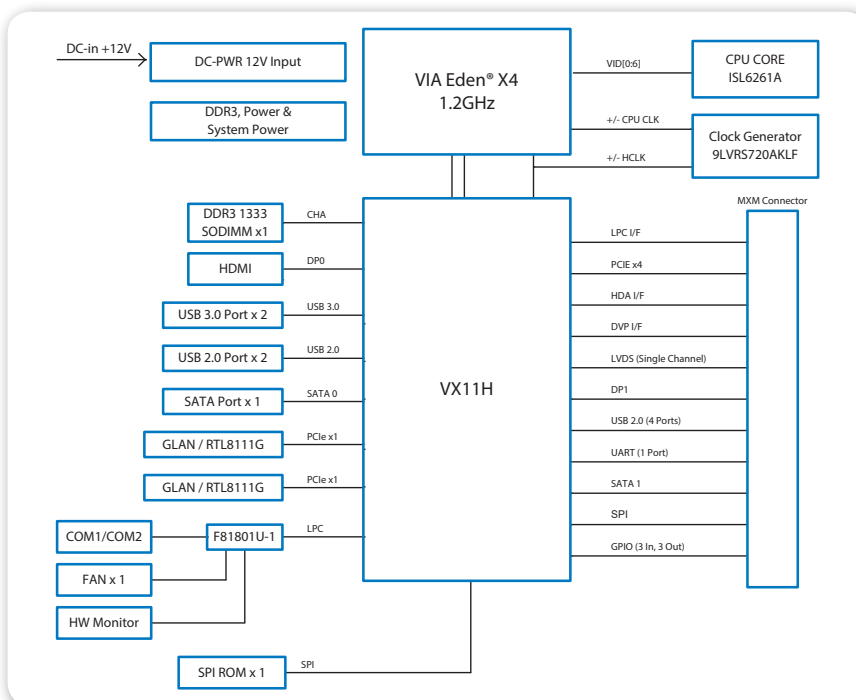
Model Name	CPU Frequency	Description
EPIA-E900-12QE	VIA Eden® X4 @ 1.2GHz	Pico-ITXe Board with 1.2GHz VIA Eden® X4 CPU, Mini HDMI, 2 USB 3.0, 2 USB 2.0, 2 COM, 2 Gigabit Ethernet, 1 SATA, 12V DC-in

Optional Accessories

Wireless Modules

Part Number	Description
EMIO-1533-00A2	VNT9271 IEEE 802.11 b/g/n USB Wi-Fi module with assembly kit and antenna
EMIO-5531-00A1	VAB-820-W IEEE 802.11b/g/n USB Wi-Fi & Bluetooth module with assembly kit and antenna

Block Diagram



Packing List

Items

- EPIA-E900 board
- DC power cable
- SATA cable
- SATA power cable