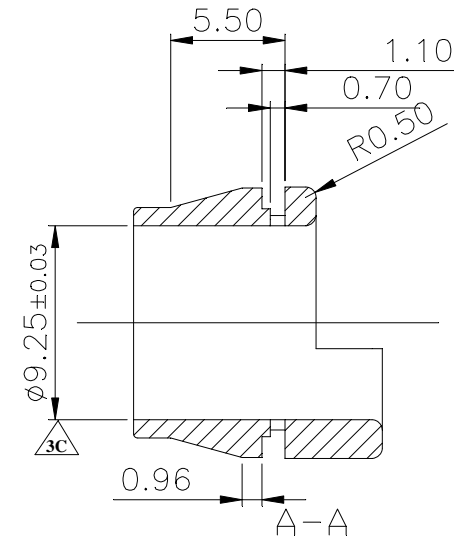
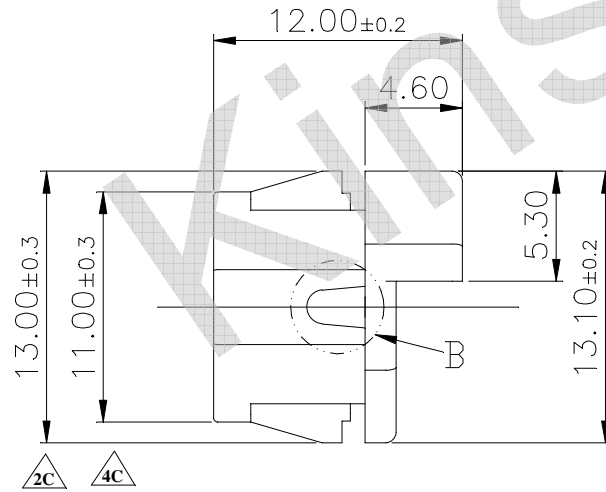
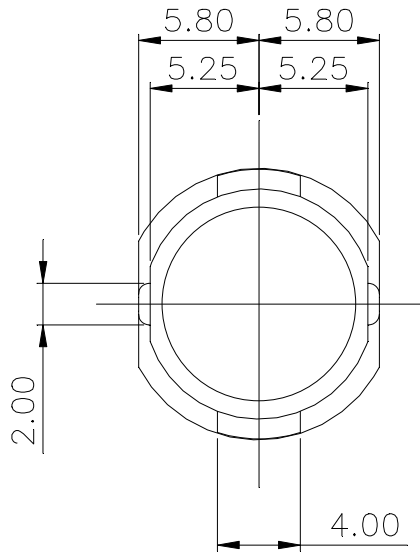
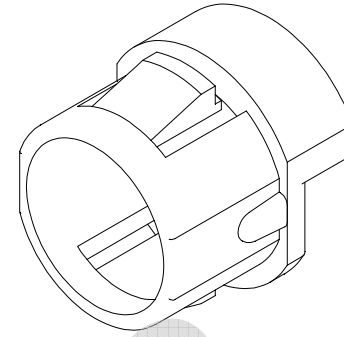
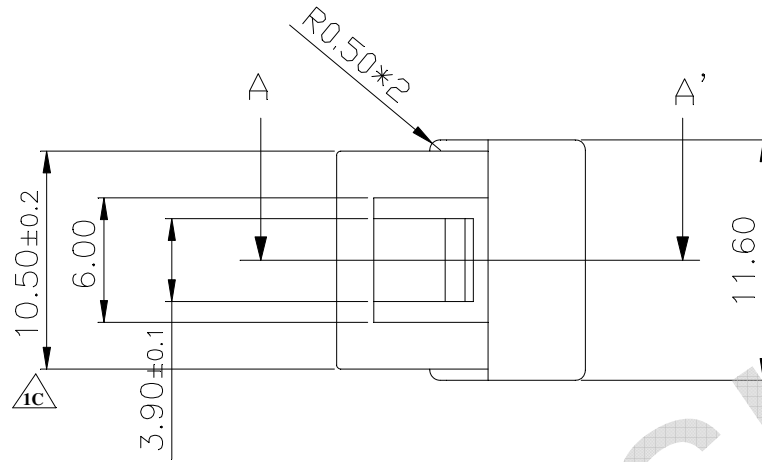
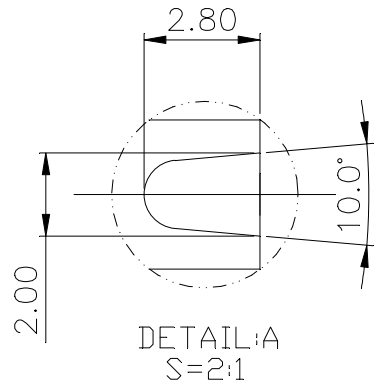


RoHS COMPLIANT

Material: PC
 Part NO.
 M6602B2100 (BLACK)
 M6602W3400 (White)



| | | | | |
|---------------------------------|---------------------------------|---|-----------|-------------------------------|
| 設計 DR. Hayato 2018/02/01 | 核准 APPD. Marco 2018/02/01 | 容許公差 .XXX ±0.05 .XX ±0.10 .X ±0.25 X ±0.38 ANG ±3° | TOLERANCE | 品名 ARTICLE HOLDER-內徑9.25mm |
| 版本說明 REVISION NOTE 增加白色料號 | | | | 圖號 DWG NO. M6602B2100 |
| | | | | 單位 UNIT mm |
| | | | | 比例 SCALE 4/1 |