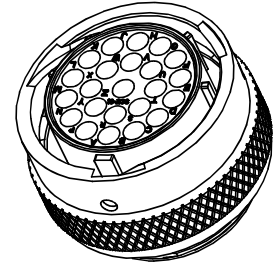
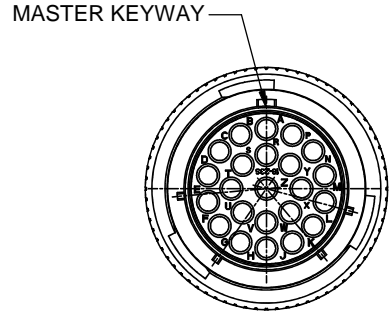
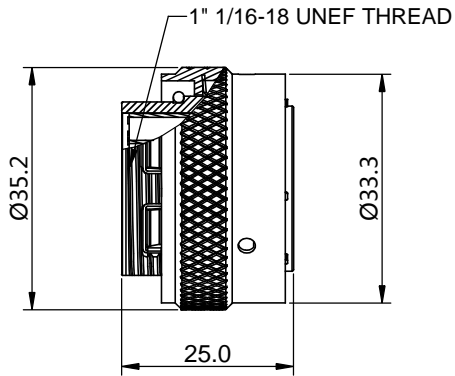


REVISIONS					
REV	ECO	DESCRIPTION	DATE	BY	APPR
B1	-	RELEASED DRAWING	JUN-20-2014	BEN	TOMMY



**NOTES : (UNLESS OTHERWISE SPECIFIED)**

**1. MATERIAL :**

- SHELL : ZINC ALLOY , NICKEL PLATED.
- INSERT : THERMOPLASTIC , UL94 V-0.
- COUPLING NUT : AL ALLOY , NICKEL PLATED.
- WAVE WASHER : STAINLESS STEEL.
- O-RING : NBR.

**2. SPECIFICATIONS :**

- 2.1 RATED CURRENT : 13A (MAX).
- 2.2 RATED VOLTAGE : 300V (AC/DC).
- 2.3 OPERATING TEMPERATURE : -40°C ~ +105°C.
- 2.4 DIELECTRIC WITHSTANDING VOLTAGE : LESS THAN 2 MILLIAMPS CURRENT LEAKAGE@2000 VOLTS AC.
- 2.5 INSULATION RESISTANCE : 5000 MEGOHMS MIN.
- 2.6 IP--CLASS : IP67.
- 2.7 MATING CYCLES DURABILITY : 500 CYCLES MIN.
- 2.8 ROHS COMPLIANT.

**3. SUITABLE CONTACTS : 16# CONTACTS.**

**4. ALL DIMENSIONS ARE FOR REFERENCE USE ONLY.**

KEY POS	PART NUMBER
N	RT061823SNH
W	RT061823SWH
X	RT061823SXH
Y	RT061823SYH
Z	RT061823SZH

QUANTITY	SEE PART NUMBER CHART	DESCRIPTION	ITEM
<b>MATERIALS LIST</b>			
<small>UNLESS OTHERWISE SPECIFIED</small> 1) All dimensions are in metric(mm). 2) Tolerances are as follows: 1 PL DEC ±0.30   Fractions ±1/64 2 PL DEC ±0.15   Angles ±1° 3 PL DEC ±0.08 3) Note reference =		<b>SIGNATURES</b> DRAWN: BEN CHECKED: ENGINEER: APPROVAL:	<b>DATE</b> JUN-20-2014
<small>MATERIAL SPECIFICATIONS:</small> CUSTOMER:		 Sine Systems - www.amphenol-sine.com 44724 Morley Drive Clinton Township, MI 48036	
<small>PROCESS SPECIFICATIONS:</small> THIS DRAWING IS SUPPLIED FOR INFORMATION ONLY. DESIGN FEATURES, SPECIFICATIONS AND PERFORMANCE DATA SHOWN HEREON ARE THE PROPERTY OF THE AMPHENOL CORPORATION. NO RIGHTS OF REPRODUCTION ARE IMPLIED. ALL DIMENSIONS ARE SUBJECT TO NORMAL MANUFACTURING VARIATIONS.		<small>SIZE</small> <b>B</b>	<small>TYPE</small> <b>C-</b>
<small>NEXT ASSY:</small>		<small>DWG NO.</small> <b>RT061823S*H</b>	<small>REVISION</small> <b>B1</b>
<small>SCALE</small> NONE		<small>SHEET</small> 1 <small>OF</small> 1	

TITLE: ECO-MATE,PLUG,SIZE 18,23POS,SOCKET  
 DWG NO.: RT061823S\*H  
 REV: B1  
 SH: 1  
 OF: 1