

Data Sheet

LL01CT-APGxxL06



CXA1304



■ Features & Typical Applications

- High efficiency
- Available with 2 beam angles
- Optimized Uniformity
- Lens with Connector
- Indoor Lighting
- Commercial Lighting

■ Table of Contents

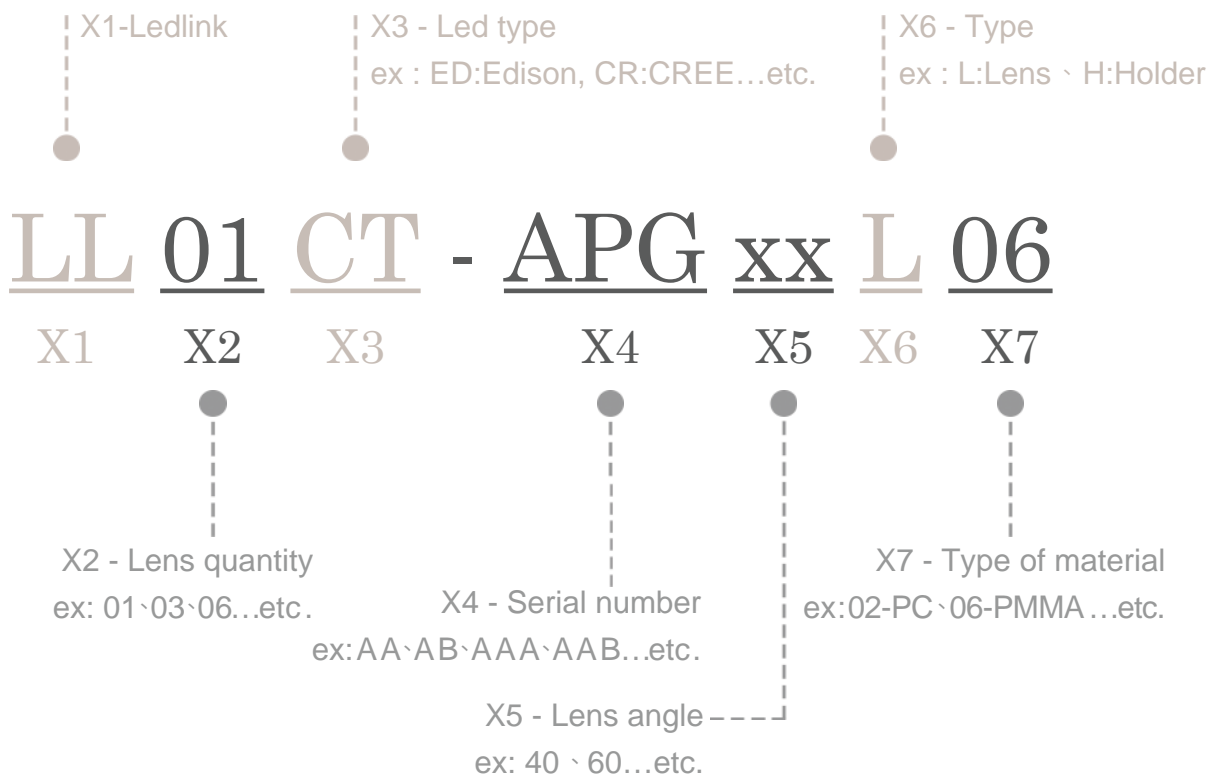
| | |
|---|-----|
| General Information & Product Nomenclature..... | P.2 |
| Optical Specifications | P.3 |
| Mechanical Specifications..... | P.5 |
| Package Specifications..... | P.6 |

LL01CT-APGxxL06

General Information

- Lens Material : PMMA 8N
- Connector Material : PBT4815
- Operating Temperature range $-40^{\circ}\text{C} \sim +110^{\circ}\text{C}$ (upper limit $+120^{\circ}\text{C}$).
- Storage Temperature range $-40^{\circ}\text{C} \sim +110^{\circ}\text{C}$ (upper limit $+120^{\circ}\text{C}$).
- * Average transmittance in visible spectrum $400\text{nm} \sim 700\text{nm} > 90\%$.
- Usage and Maintenance:
 1. If necessary, clean lenses with mild soap, water and soft cloth.
 2. Never use any commercial cleaning solvents on lenses, like alcohol.
 3. Please handle or install lenses with wearing gloves, skin oils may damage lens or its optical characteristic.

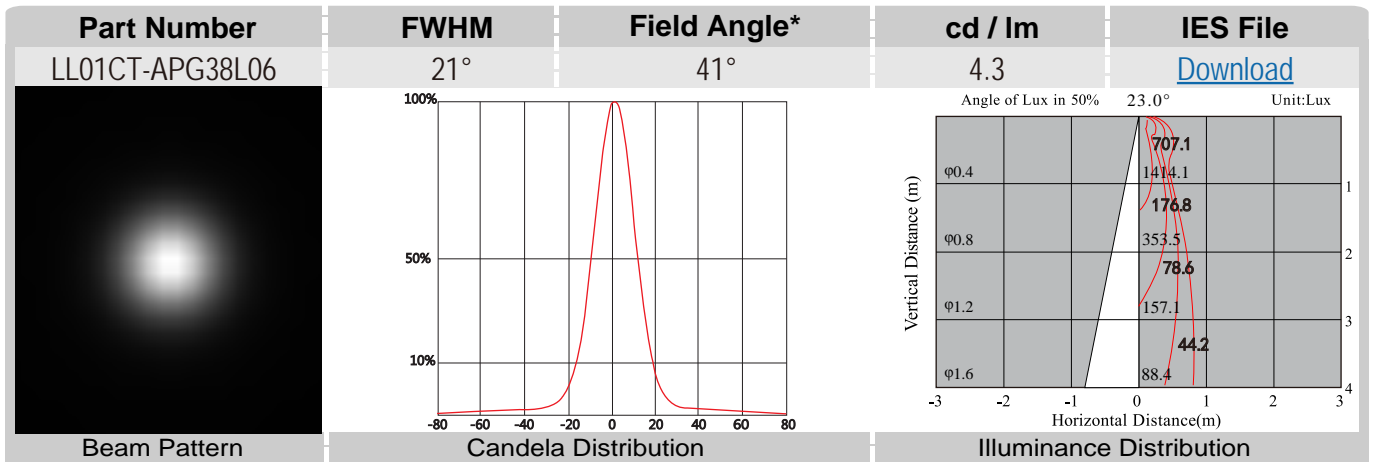
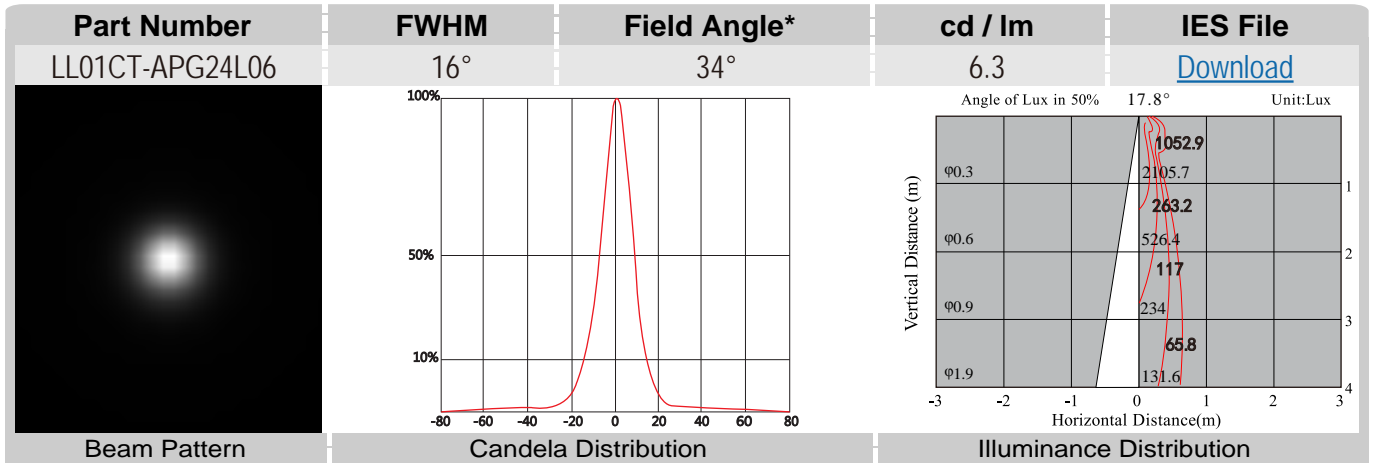
Product Nomenclature



LL01CT-APGxxL06 Optical Specifications


CXA1304

Note: (1) All the results of analysis are based on 0 degrees of elevation.
 (2) Tolerance: $\pm 10\%$.
 (3) Led Luminous Flux(lm): 332($\pm 5\%$).



*The Field Angle is the angle between the two directions opposed to each other over the beam axis for which the luminous intensity is 10% that of the maximum luminous intensity.
 *This testing result is obtained through testing the popular rank LED samples which provided by the original manufacturer. Hence, the testing results would be varied as the users choose same LED model but different rank.

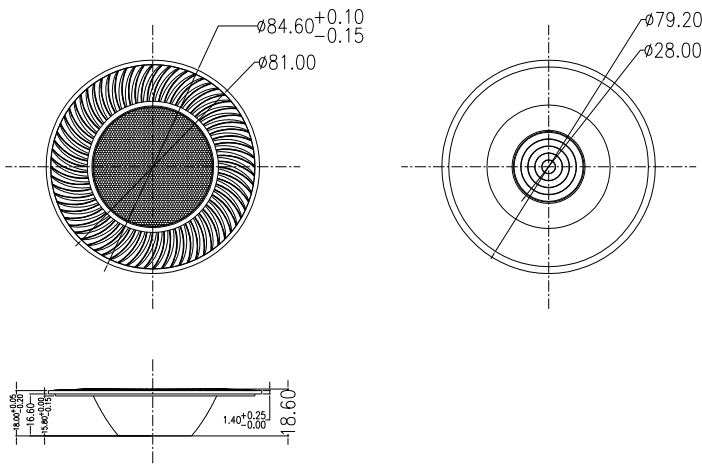
LL01CT-APGxxL06 Mechanical Specification

1. Fixing method

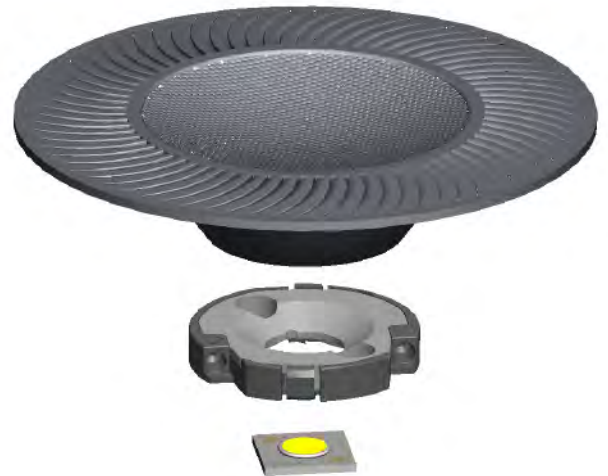
- Glue
 Screw
 Tape
 Fixing-ring
 Frame

Note: (1) All dimensions are in mm.
 (2) All tolerance are ± 0.15 mm unless otherwise specified.

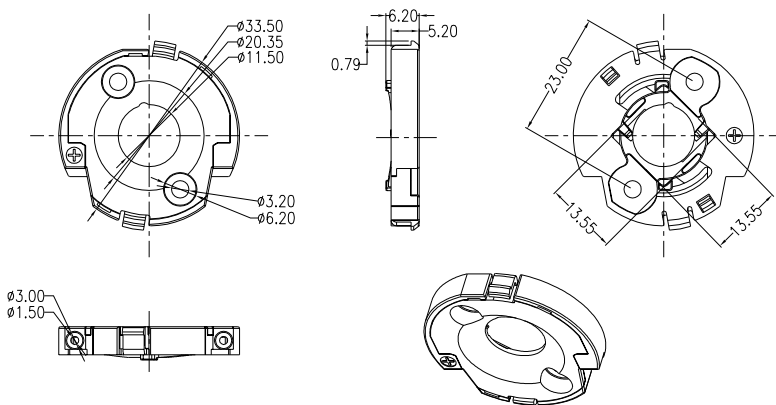
2. Lens dimension



3. Lens + Connector + Leds assembly instruction



4. Connector dimension



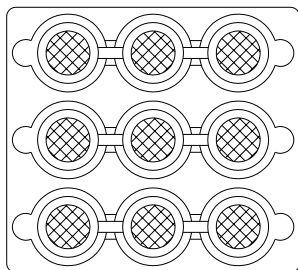
5. View assembly lens with LED:



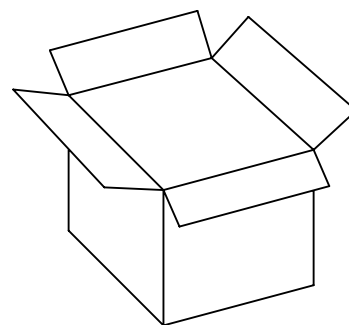
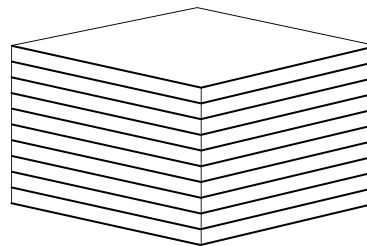
LL01A39CUIB2-M2

LL01CT-APGxxL06 Package Specifications

| Item | Quantity | Total | Size(L*W*H) | G.W |
|-------------|-------------------------|--------|---------------|-----|
| plastic box | 9 pcs/plastic box | 9 pcs | 32*29*2.95 cm | 30g |
| outer box | 7 plastic box/outer box | 63 pcs | 35*31*21 cm | |



9 pcs/plastic box



63 pcs/outer box



Note: