

CONNTERM

RF Connectors

SMA Connector Series

Electrical Specifications

Impedance: 50 Ω

Frequency Range

Semi-rigid cable: 0-18 GHz

Flexible cables: 0-12.4 GHz

Voltage Rating : 335 volts rms.

Dielectric Withstanding Voltage : 500 volts rms.

VSWR :

1.15 +0 .02 f (GHz) for Straight connector typical

1.25 +0 .025 f (GHz) for Right angle connector typical

Contact Resistance

Center contact: 2.0 m Ω

Body: 2.0 m Ω

Insulation Resistance: 5,000 M Ω

Mechanical Specifications

Mating: 1/4"-36 UNS thread coupling

Cable retention: 6kgf typical

Durability: 500 Cycles Min.

Coupling nut retention: 18kgf Min.

Temperature Range: - 55°C to +155°C

Material

Connector body: Brass per QQ-B-626 ,gold Plating or nickel

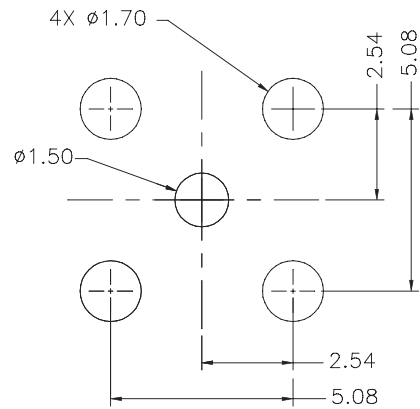
Center contact Male: Brass, gold Plating

Center contact Female: Beryllium copper, gold Plating

Insulator: PTFE

Gasket: Silicone rubber

Crimp Ferrule: Annealed copper



PCB MOUNTING HOLES

