

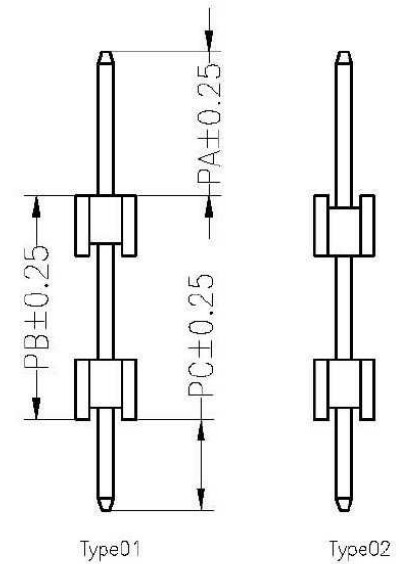
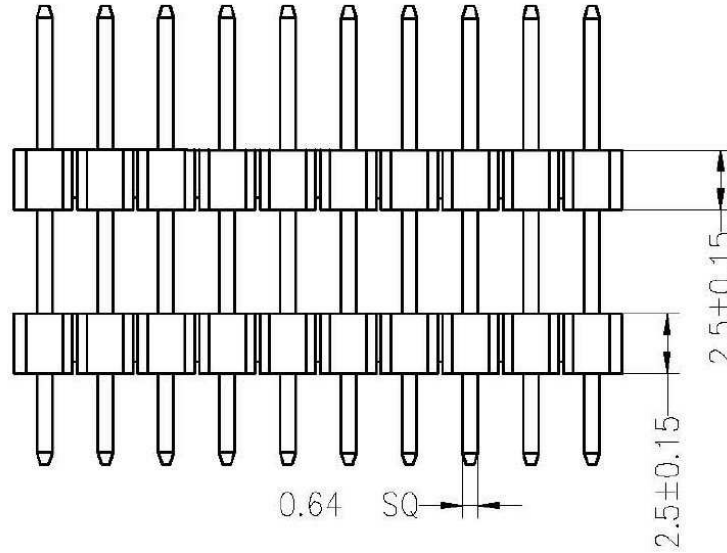
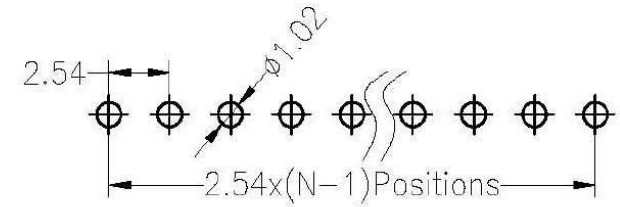
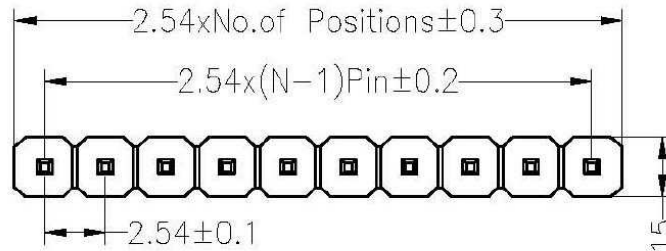


SPECIFICATIONS

Rated Current:3.0AMP
 Contact Resistance:20mΩ Max
 Withstand Voltage:1000V AC/DC
 Insulation Resistance:1000MΩ Min
 Operation Temperature:-40°C to +105°C

Contact Material:Brass
 Contact Plating:Au Over Ni
 Insulator Material:Polyester(UL94V-0)
 Standard: PA6T
 Max.Processing Temp: 230°C for 30-60 seconds
 (260°C for 5 seconds)

Recommended P.C.B Layout(Top Side)
 (PCB BOARD TOLERANCE±0.05)



Dimension antitheses list				
ITEM	PA	PB	PC	L
Standard	6.0	20.0	3.0	29.0
Alternate				

				OPERATION		DRAW		SCALE	FIT	CONNTERM		
				X.X	±0.30			UNIT	mm			
				X.XX	±0.20	CHECK		SIZE	A4	PART NO. PLSP20S20-JL		
AD NEW DRAWING				X.XXX	±0.10			SHEET	1/1			
REV	DATE	MODIFICATION DESCRIPTION	CHANGE	Angle	±J	APPROVE		PROJ.	◆	TITLE:	2.54PH H2.50mm Single 180° Npin	
1	2	3	4	DIM	TOL					7	8	9