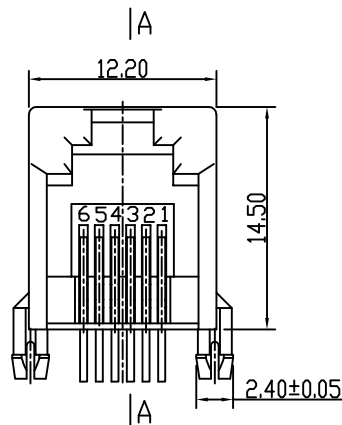
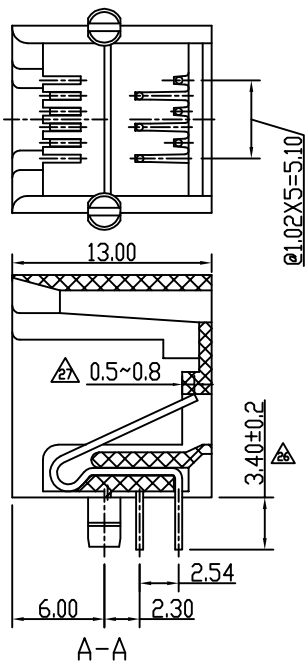


YH-55-04

REV. 版本	ECN NO. 变更说明	DATE 日期
01-27	ADD P/N	204.09.26
26	见备注1	10.10.26
27	增加内衬尺寸	2014.08.21

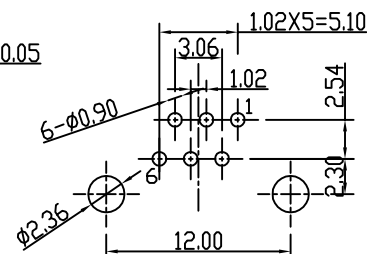
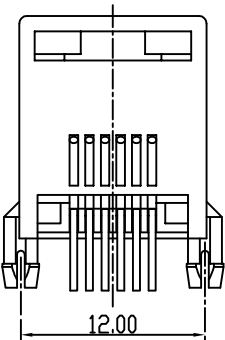
机构特性:

1. 塑壳材质: PBT 黑色, UL94V-0;
2. 圆针材质: 磷青铜, $\phi 0.46\text{mm}$;
3. 圆针电镀: 镍底, 表面全部镀金;
4. 可靠性: 最少750次插拔.
5. 插入/拔出力: 30N Max.
6. 配合强度: 50N 60S \pm 5S.



电气特性:

1. 额定电压: 125 VAC RMS
 2. 额定电流: 1.5 AMP
 3. 接触电阻: 20 m Ω MAX.
 4. 绝缘电阻: 1000 M Ω MIN. @500 VDC
 5. 耐压强度: 1000 V AC 或 1500V DC RMS @0.5mA 50 Hz 或 60 Hz 一分钟
- 环境特性:
1. 储存温度: -40 $^{\circ}$ C ~ +85 $^{\circ}$ C
相对湿度 < 80%
 2. 工作温度: -40 $^{\circ}$ C ~ +85 $^{\circ}$ C



PC BOARD LAYOUT
THICKNESS=1.6MM

NOTES:

ELECTRICAL:

- | | |
|--------------------------|--|
| 1. VOLTAGE RATING | : 125 VAC RMS. |
| 2. CURRENT RATING | : 1.5 AMP. |
| 3. CONTACT RESISTANCE | : 20 MILLIOHMS MAX. |
| 4. INSULATION RESISTANCE | : 1000 MEGOHMS MIN @ 500 VDC |
| 5. DIELECTRIC STRENGTH | : 1000 V AC OR 1500V DC RMS @ 0.5mA 50 Hz / 60 Hz 1 Minute |

MECHANICAL:

- | | |
|---------------------------|--|
| 1. HOUSING MATERIAL | : PBT/PA66 UL94V-0. |
| 2. CONTACT MATERIAL | : PHOSPHOR BRONZE $\phi 0.46\text{mm}$. |
| 3. PLATING | : GOLD PLATING OVER NICKEL. |
| 4. OPERATING LIFE | : 750 CYCLES MIN. |
| 5. MATING/UNMATING FORCE: | : 30N Max. |
| 6. RETENTION STRENGTH: | : 50N FOR 60S \pm 5S. |

ENVIRONMENTAL:

1. STORAGE : -40 $^{\circ}$ C TO +85 $^{\circ}$ C RELATIVE HUMIDITY < 80%.
 2. OPERATION : -40 $^{\circ}$ C TO +85 $^{\circ}$ C.
- MATES WITH MODULAR PLUG CONFORMING TO FCC PART 68, SUBPART F.

备注1: 根据不合格评审表QA2P101025-02, 修改剥头尺寸与带包壳规格一致. 更改单号: EC10102601.

RoHS Compliant

5521 6P (无耳)插座


CZT ® 温州竟华接插件股份有限公司 WENZHOU YIHUA CONNECTOR CO., LTD		TOLERANCES 公差 00~15 ± 0.15 15~30 ± 0.20 30~ ± 0.25		Material: 材质 SEE NOTE	Designed: 设计 廖永生	NAME: 名称 RJ11 1X1 5521 6P JACK
第一视角	A4 SIZE	SCALE 比例 1:1	UNIT 单位 mm	Finish: 电镀 SEE NOTE	Checked: 审核	DWG NO: 图号 E55QWY-1009-37
		CUSTOMER: 客户 N/A	MODEL NO: 料号 N/A	ANGLES: $\pm 1^{\circ}$	Approved: 核准	PART NO: 料号 SEE NOTE
				SHEET 第 1 页 共 3 页		REV. 版本 27

ROHS PART NUMBER:

REV. 版本	ECN NO. 变更说明	DATE 日期
---------	--------------	---------

PART NUMBER	PART NUMBER(OLD)	DESCRIPTION	CONTACT PALTING GOLD	LOGO	MATERIAL COLOR
10218466B007	B551N-6603-M014	RJ11 1X1 5521 6P6C JACK	3u"	NO LOGO	PBT BLACK 黑
10218466B003	B551N-6603-M013	RJ11 1X1 5521 6P6C JACK	3u"	NO LOGO	PBT GRAY 灰
10218464B009	B551N-6403-M013	RJ11 1X1 5521 6P4C(2.3.4.5) JACK	3u"	NO LOGO	PBT BLACK 黑
10218464B014	B551N-6403-M014	RJ11 1X1 5521 6P4C(2.3.4.5) JACK	3u"	NO LOGO	PBT GRAY 灰
10218466A015	B551N-66GF-M013	RJ11 1X1 5521 6P6C JACK	G/F	NO LOGO	PBT GRAY 灰
10218462F002	B551N-6230-M005	RJ11 1X1 5521 6P2C(3.4) JACK	30u"	NO LOGO	PBT GRAY 灰
10218462B008	B551N-6203-M013	RJ11 1X1 5521 6P2C(3.4) JACK	3u"	NO LOGO	PBT BLACK 黑
10218462A008	B551N-62GF-M013	RJ11 1X1 5521 6P2C(3.4) JACK	G/F	NO LOGO	PBT BLACK 黑
N/A	B551N-6406-M011	RJ11 1X1 5521 6P4C(2.3.4.5) JACK	6u"	NO LOGO	PBT WHITE 白
N/A	B551N-6606-M001	RJ11 1X1 5521 6P6C JACK	6u"	NO LOGO	PBT WHITE 白
10218466C013	B551N-6606-M013	RJ11 1X1 5521 6P6C JACK	6u"	NO LOGO	PBT GRAY 灰
10218466C011	B551N-6606-M003	RJ11 1X1 5521 6P6C JACK	6u"	NO LOGO	PBT BLACK 黑
10218462C011	B551N-6206-M016	RJ11 1X1 5521 6P2C(3.4) JACK	6u"	NO LOGO	PBT GRAY 灰
10218462A010	B551N-62GF-M017	RJ11 1X1 5521 6P2C(3.4) JACK	G/F	NO LOGO	PBT YELLOW 黄
10218462A014	B551N-62GF-M005	RJ11 1X1 5521 6P2C(3.4) JACK	G/F	NO LOGO	PBT GRAY 灰
N/A	B551N-64GF-M005	RJ11 1X1 5521 6P4C(1.2.5.6) JACK	G/F	NO LOGO	PBT GRAY 灰
10218462G003	B551N-6250-M005	RJ11 1X1 5521 6P2C(3.4) JACK	50u"	NO LOGO	PBT GRAY 灰
10218464A019	B551N-64GF-M014	RJ11 1X1 5521 6P4C(2.3.4.5) JACK	G/F	NO LOGO	PBT GRAY 灰
10218464A014	B551N-64GF-M013	RJ11 1X1 5521 6P4C(2.3.4.5) JACK	G/F	NO LOGO	PBT BLACK 黑
N/A	B551N-6615-U001	RJ11 1X1 5521 6P6C JACK	15u"	NO LOGO	PA66 BLACK 黑
10218466D003	B551N-6615-M013	RJ11 1X1 5521 6P6C JACK	15u"	NO LOGO	PBT BLACK 黑
N/A	B551N-6650-U001	RJ11 1X1 5521 6P6C JACK	50u"	NO LOGO	PA66 BLACK 黑
10218466F002	B551N-6630-U001	RJ11 1X1 5521 6P6C JACK	30u"	NO LOGO	PA66 BLACK 黑
N/A	B551N-6403-M001	RJ11 1X1 5521 6P4C(2.3.4.5) JACK	3u"	NO LOGO	PBT WHITE 白
10218466A010	B551N-66GF-M014	RJ11 1X1 5521 6P6C JACK	G/F	NO LOGO	PBT BLACK 黑
10218462B010	B551N-6203-M005	RJ11 1X1 5521 6P2C(3.4) JACK	3u"	NO LOGO	PBT GRAY 灰
10218464D006	B551N-6415-M013	RJ11 1X1 5521 6P4C(2.3.4.5) JACK	15u"	NO LOGO	PBT BLACK 黑
N/A	B551N-66GF-U001	RJ11 1X1 5521 6P6C JACK	G/F	NO LOGO	PA66 BLACK 黑
10218464G005	B551N-6450-M016	RJ11 1X1 5521 6P4C(2.3.4.5) JACK	50u"	NO LOGO	PBT GRAY 灰

RoHS Compliant

 温州意华接插件股份有限公司 WENZHOUI YIHUA CONNECTOR CO., LTD	TOLERANCES 公差		Material: 材质	SEE NOTE	Designed: 设计	廖永生	NAME: 名称	RJ11 1X1 5521 6P JACK	
	00~15 ±0.15	15~30 ±0.20	Finish: 电镀	SEE NOTE	Checked: 审核		DWG NO: 图号	E55QWY-1009-37	REV. 版本
	30~ ±0.25	ANGLES: ±1°	SHEET 第 2 页 共 3 页		Approved: 核准		PART NO: 料号	SEE NOTE	27

ROHS PART NUMBER:

REV. 版本	ECN NO. 变更说明	DATE 日期
---------	--------------	---------

PART NUMBER	PART NUMBER(OLD)	DESCRIPTION	CONTACT PLATING GOLD	LOGO	MATERIAL COLOR
10218462A017	B551N-62GF-M018	RJ11 1X1 5521 6P2C JACK	G/F	NO LOGO	PBT BLUE 蓝2935U
10218464F001	B551N-6430-M016	RJ11 1X1 5521 6P4C JACK	30u"	NO LOGO	PBT GRAY 灰
N/A	B551N-62GF-R001	RJ11 1X1 5521 6P2C JACK	G/F	NO LOGO	PA46 BLACK 黑
N/A	B551N-6606-M018	RJ11 1X1 5521 6P6C JACK	6u"	NO LOGO	PBT GRAY 灰429C
N/A	B551N-66GF-M027	RJ11 1X1 5521 6P6C JACK	G/F	NO LOGO	PBT GRAY 灰429C
N/A	B551N-6403-M029	RJ11 1X1 5521 6P4C JACK	3u"	CZT	PBT BLACK 黑
10218464G003	B551N-6450-M024	RJ11 1X1 5521 6P4C JACK	GXT 50u" (钯金)	NO LOGO	PBT BLACK 黑
10218464D011	B551N-6415-M020	RJ11 1X1 5521 6P4C JACK	GXT 15u" (钯金)	NO LOGO	PBT GRAY 灰
N/A	B551N-6603-M020	RJ11 1X1 5521 6P4C JACK	3u"	NO LOGO	PBT GRAY 灰429C
10218464D008	B551N-6415-M021	RJ11 1X1 5521 6P4C JACK	GXT 15u" (钯金)	NO LOGO	PBT BLACK 黑
N/A	B551N-6430-M013	RJ11 1X1 5521 6P4C(2.3.4.5) JACK	30u"	NO LOGO	PBT BLACK 黑
10218466F003	B551N-6630-M003	RJ11 1X1 5521 6P6C JACK	30u"	NO LOGO	PBT BLACK 黑
10218466G001	B551N-6650-U003	RJ11 1X1 5521 6P6C JACK	50u"	NO LOGO	PA66+30%GF GARY 灰
10218464G004	B551N-6450-M022	RJ11 1X1 5521 6P4C(2.3.4.5) JACK	GXT 50u" (钯金)	NO LOGO	PBT GRAY 灰
N/A	B551N-64GF-M007	RJ11 1X1 5521 6P4C(2.3.4.5) JACK	G/F	NO LOGO	PBT GRAY 深灰 (D8013)
N/A	B551N-64GF-U004	RJ11 1X1 5521 6P4C(2.3.4.5) JACK	G/F	NO LOGO	PA66+30%GF GARY 灰 (E0C8301001)
10218464B005	B551N-6403-U004	RJ11 1X1 5521 6P4C(2.3.4.5) JACK	3u"	NO LOGO	PA66+30%GF GARY 灰 (E0C8301001)
N/A	B551N-6606-U003	RJ11 1X1 5521 6P6C JACK	6u"	NO LOGO	PA66 GRAY 灰
10218464C008	B551N-6406-M014	RJ11 1X1 5521 6P4C(2.3.4.5) JACK	6u"	NO LOGO	PBT GRAY 灰
N/A	B551N-6230-M013	RJ11 1X1 5521 6P2C(3.4) JACK	30u"	NO LOGO	PBT BLACK 黑
10218462D003	B551N-6215-M013	RJ11 1X1 5521 6P2C(3.4) JACK	15u"	NO LOGO	PBT BLACK 黑
10218466D004	B551N-6615-M014	RJ11 1X1 5521 6P6C JACK	15u"	NO LOGO	PBT GRAY 灰
10218466B014	N/A	RJ11 1X1 5521 6P6C JACK	3u"	NO LOGO	PA66 BLACK 黑
10218462A020	N/A	RJ11 1X1 5521 6P2C(3.4) JACK	1.5u"	NO LOGO	PA66 BLACK 黑

5521 6P (无耳)插座

RoHS Compliant

CZT 温州意华接插件股份有限公司 WENZHOU YIHUA CONNECTOR CO., LTD		TOLERANCES 公差 00~15 ±0.15 15~30 ±0.20 30~ ±0.25		Material: 材质 SEE NOTE	Designed: 设计 廖永生	NAME: 名称 RJ11 1X1 5521 6P JACK
第一视角	A4 SIZE	SCALE 比例 1:1	UNIT 单位 mm	Finish: 电镀 SEE NOTE	Checked: 审核	DWG NO: 图号 E55QWY-1009-37
		CUSTOMER: 客户 N/A	MODEL NO: 料号 N/A	ANGLES: ±1°	Approved: 核准	PART NO: 料号 SEE NOTE
				SHEET 第 3 页 共 3 页		REV. 版本 27