



Product Specifications





Customer :	
Model No. :	NTM150 V012

Features :



- ★ 15" 4:3 ,1024x768 (XGA) Resolution
- ★ IPS Technology, Wide Viewing Angle (176° /176°)
- ★ Resistive/SCAP/PCAP Touch Options
- ★ 3 Years Warranty
- ★ Survivable in All Environments
- ★ High Brightness Options
- ★ Anti-Glare/Anti-Reflection/Anti-Fingerprint Film Options
- ★ All Kind of Connector Options (VGA/DVI/HDMI/DP)
- ★ Metal Cabinet with Diverse Installing Options



			
BSMI	CE	FCC	RoHS
Compliance			

Records of Revision			
Vision	Modifying	Old Description	New Description
v1703.1	First Version		
v1703.2	Revising of the Display Area	307.4x231.3	304.1x228.1

Display Specifications

General Specifications

Full Model No.	NTM150XXXXXXX-012	Support Color	16.7M Color
Abbreviation	NTM150	Pixel Pitch	0.297x0.297 mm
Screen Diagonal	15.0 inch	Response Time	21 msec
Display Area	304.1x228.1	Backlight Unit	LED (white LED)
Resolution	1024x768 (XGA)	Viewing Angle (L/R,U/D)	176° / 176° (IPS)
Brightness	Optional	Operating Temp.	-30~70°C
Contrast Ratio	2500:1	Surface Treatment	Anti-glare, Hardness 3H
Display Ratio	4:3		

Brightness Options

Item	Brightness	Model No.
Standard	300 nits	NTM150XXXXNXX-012
Standard	500 nits	NTM150XXXX5XX-022 (* Individual Data Sheet V022)
Enhanced	1000 nits	NTM150XXXXAXX-012
Enhanced	1600 nits	NTM150XXXXGXX-012

Display Input Options

Item	Connectors	Model No.
Standard	VGA+DVI	NTM150XXXXXXD-012
Option1	VGA+DVI+HDMI	NTM150XXXXXX7-012
Option2	VGA+HDMI+DP	NTM150XXXXXX3-012

Power Input Options

Power Input	Connector	Model No.
DC 12V (Standard)	DC Jack 2.5 φ with Adapter	



Fan Options

Item	Description	Model No.
Standard	Fanless	

Physical Specifications

Dimension (Max)	333x260.7x47 mm	Cabinet Material	Galvanized steel (SECC)
Net Weight	≤ 3 KG	Speaker	2W x2
Wall Mount Hole	75x75 / 100x100 mm		

Touch Specifications

Non-touch Model

Full Model No.	NTM1500XXXXX-012		
----------------	------------------	--	--

Resistive Touch Model

Full Model No.	NTM1505XXXXX-012	Transparency	80% ±5%
Touch Screen	5 Wire Resistive Touch	Precision	98.50%
Allowed touch points	1 point	Surface Treatment	Anit-glare <15%
Interface	USB or RS232	Hardness	≥3H

Projected Capacitive Touch Model

Full Model No.	NTM150YXXXXX-012	Transparency	≥90% ±3%
Touch Screen	Projected Capacitive	Precision	99.00%
Allowed touch points	10 points	Surface Treatment	Tempered
Interface	USB	Hardness	≥7H

Surface Capacitive Touch Model

Full Model No.	NTM150CXXXXX-012	Transparency	≥92% ±3%
Touch Screen	Surface Capacitive	Precision	99.00%
Allowed touch points	1 point	Surface Treatment	Anit-glare <7%
Interface	USB or RS232	Hardness	≥9H

Surface Film Options

AG	Anti-Glare	AR	Anti-Reflective
AFP	Anti-Fouling/FingerPrint	AS	Anti-Spy

Display Control Options

OSD	Physical button (standard)	
Software	Connecting via RS232	

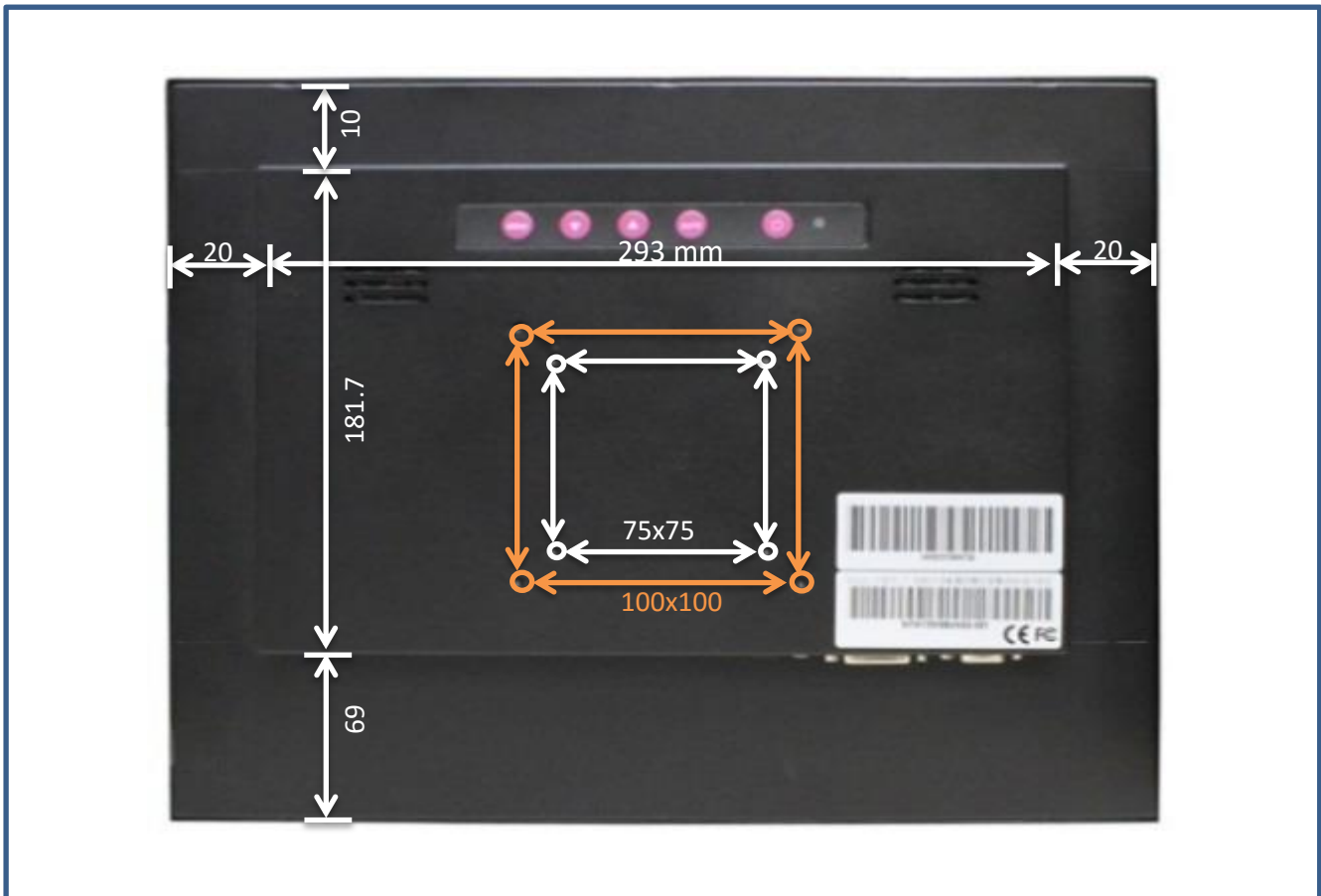
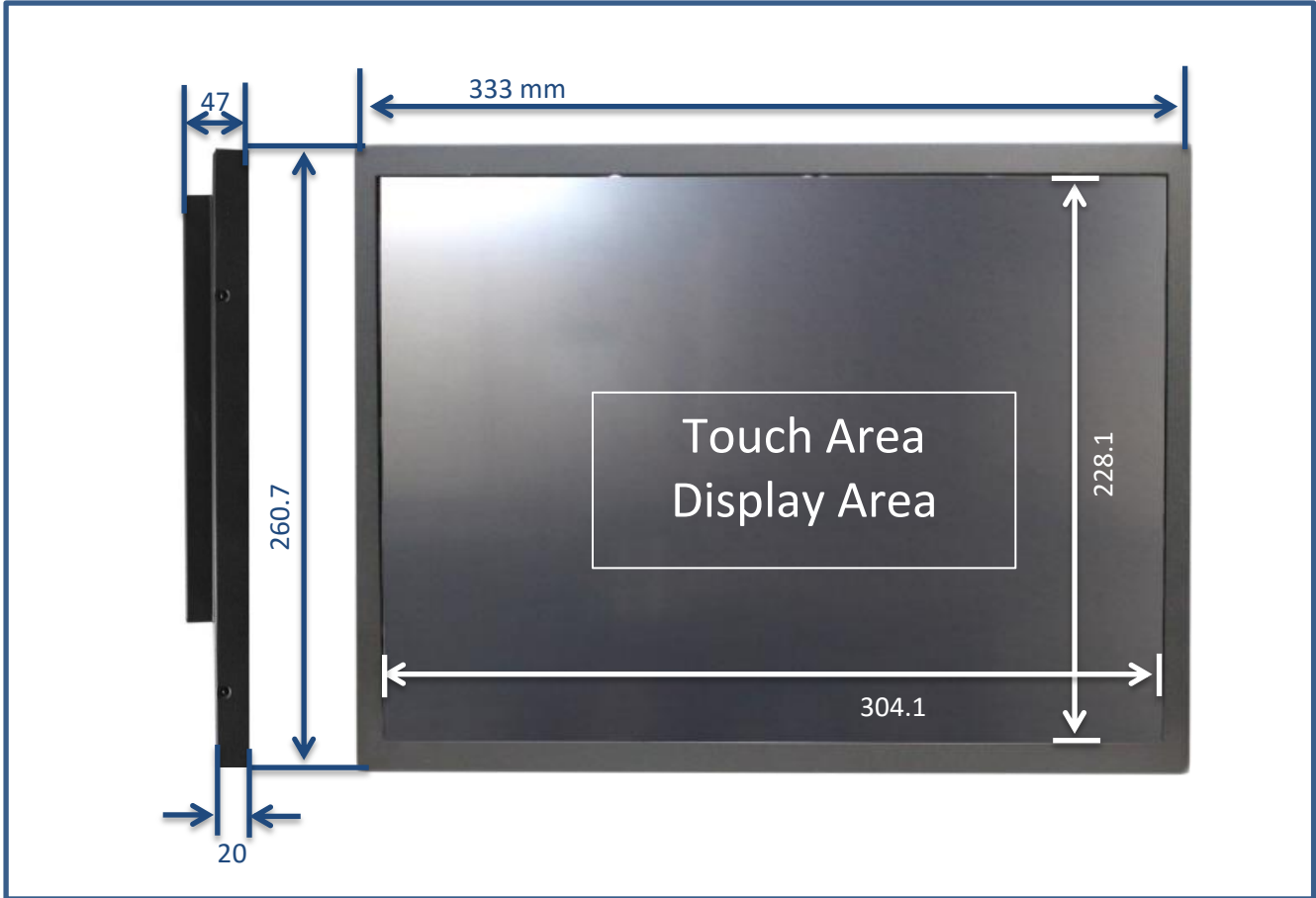


Accessories

Item	Description	Quantity
VGA Cable	D-Sub 15Pin Male to Male , 1.2 Meter	1
Audio cable	3.5mm Headset Jack , Male to Male , 1.2 Meter	1
AC-DC Adapter	4.16A/12V with CE/FCC/CCC/UL/RoHS/PSE/JET Certification	1
Power cord	*(depends on Country)	1
USB Cable	A type , Male to Male , 1.5 Meter *(only for touch monitor)	1

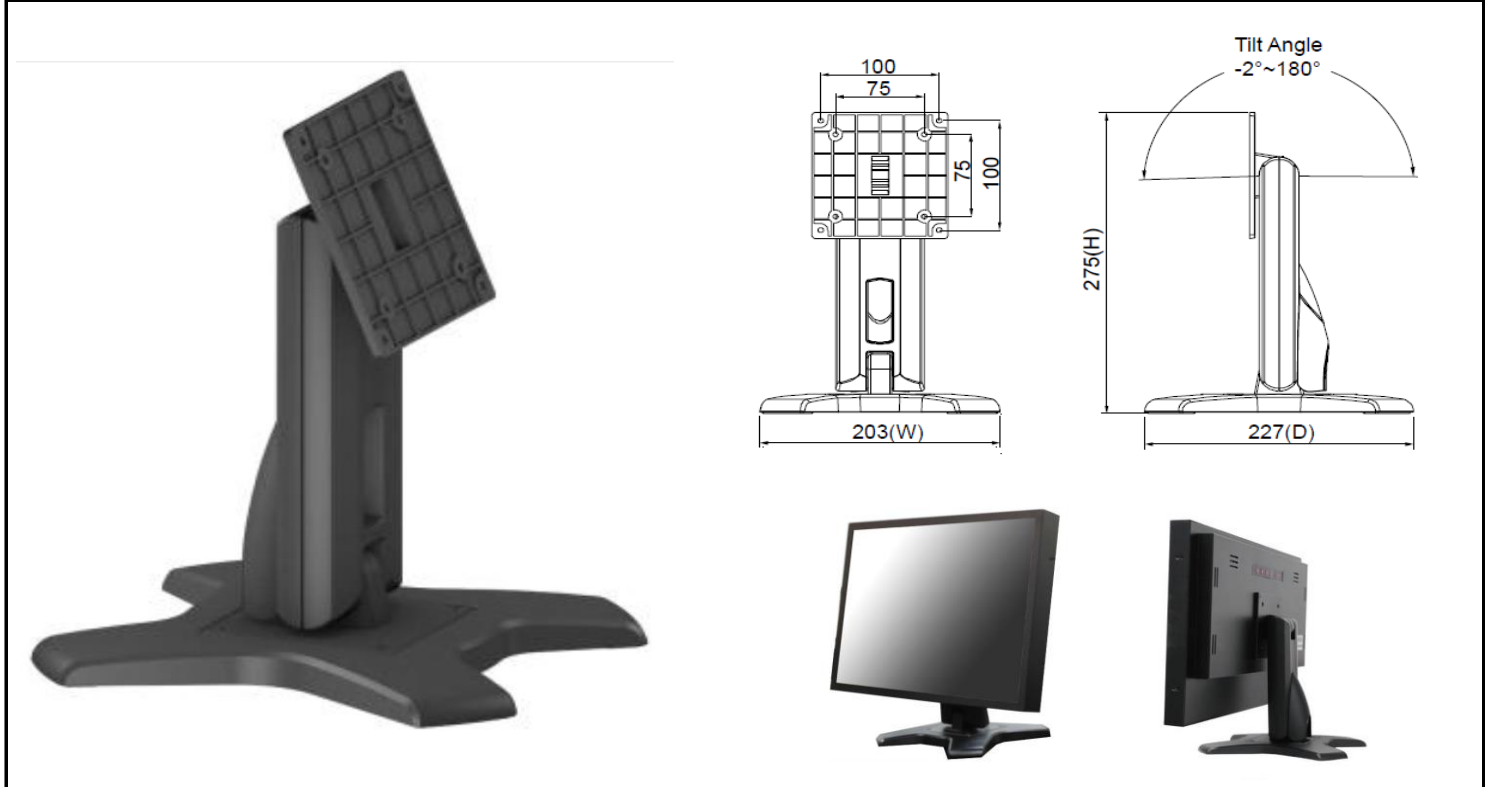


Outward and Dimensions

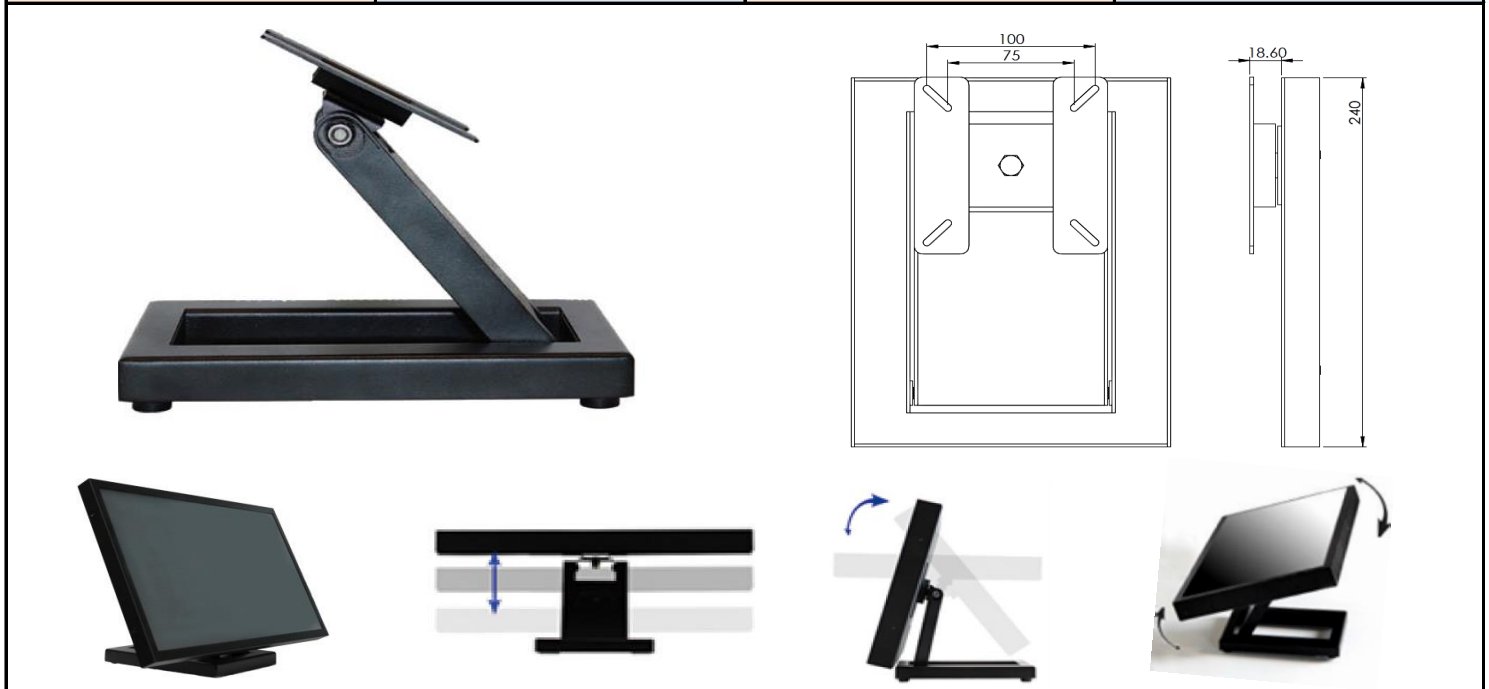


Optional Accessories (Desktop Stand)

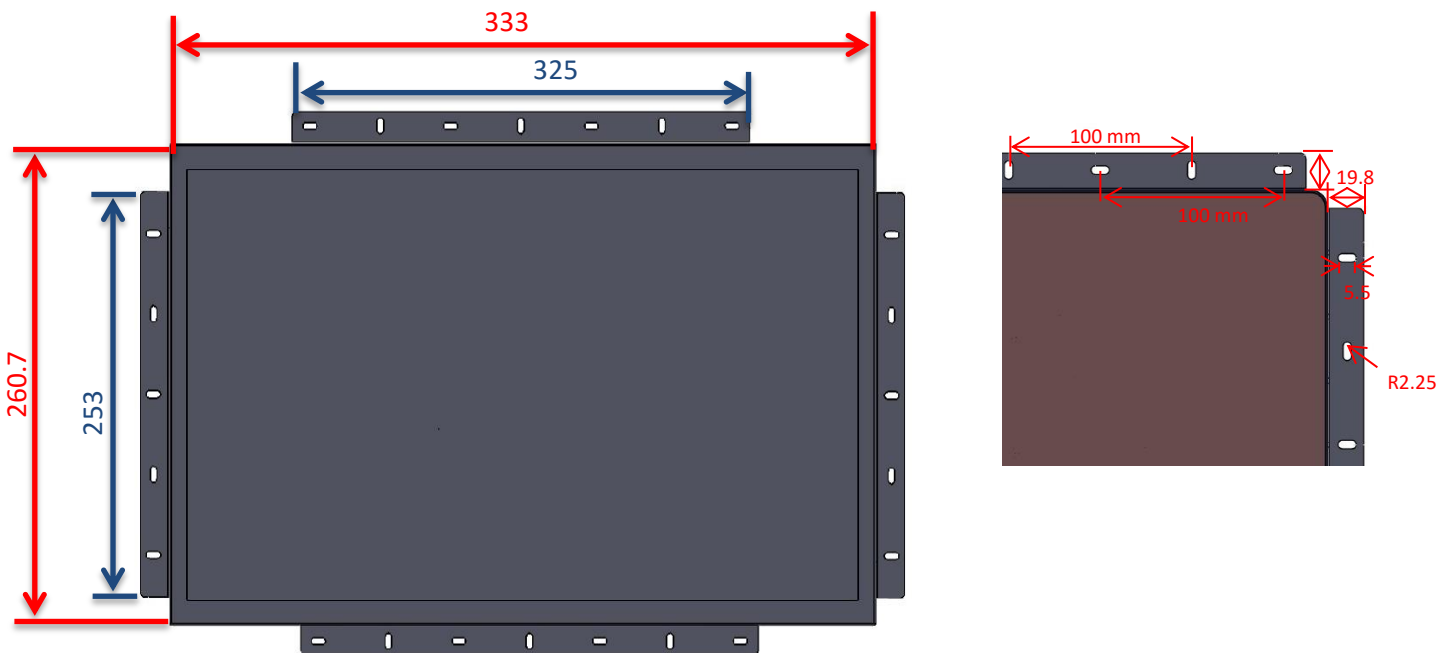
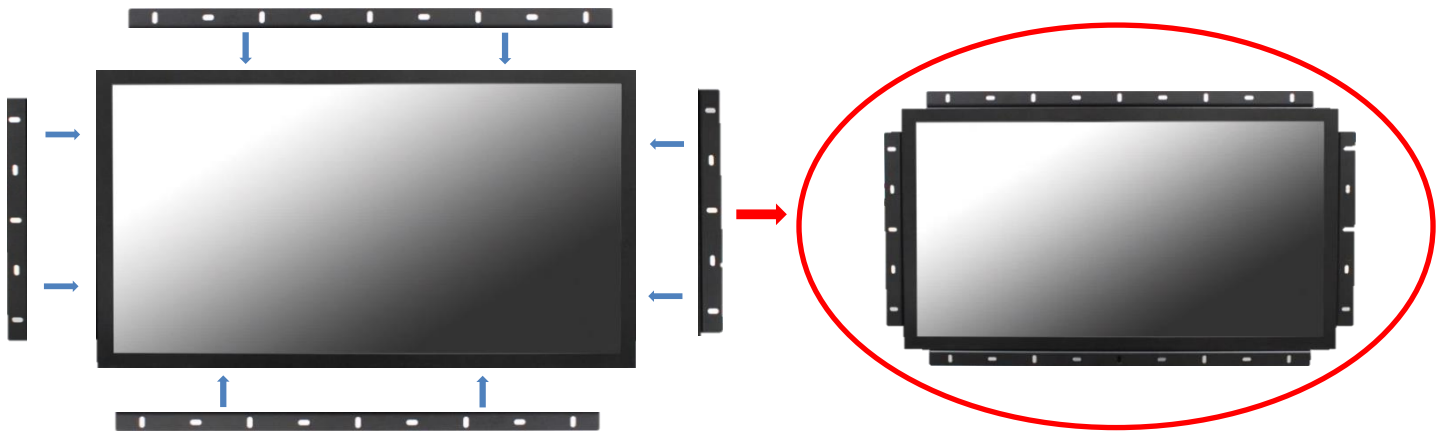
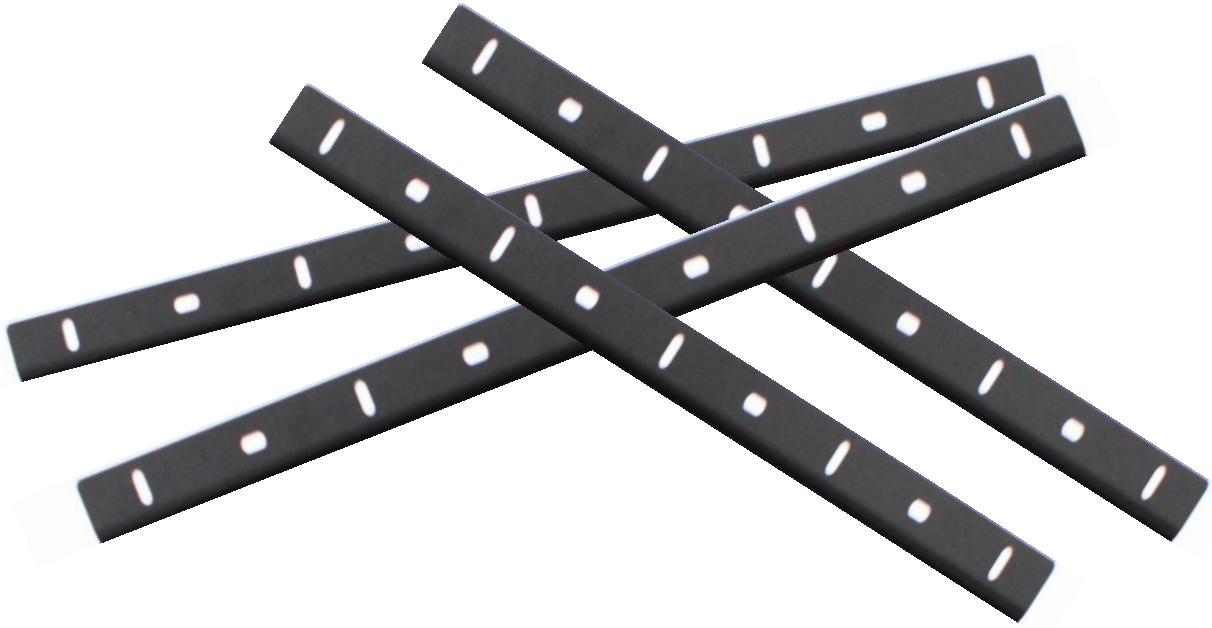
Item	B Stand	Part No.	P1SS0 / P1SS0-02
Mounting Pattern	100x100 / 75x75 mm	Dimension (WxHxD)	203x275x227 mm
Material	Steel/Plastic/Aluminum	Net Weight	1.8 KG
Tile(Hinge)	-2° ~ +180°	Support Max. Weight	15 KG



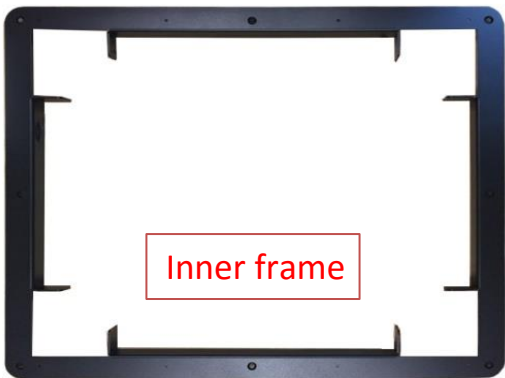
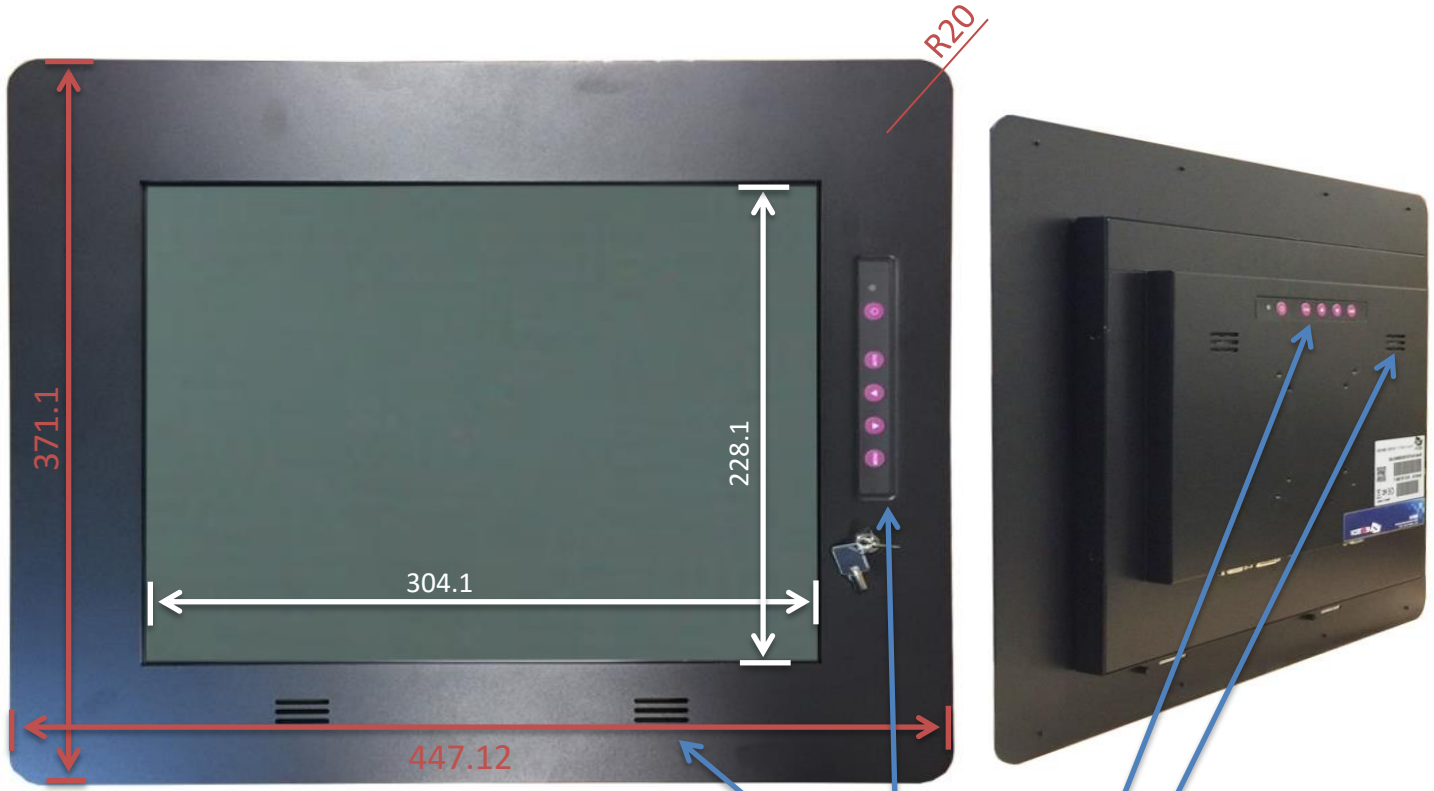
Item	Z Stand	Part No.	P1SZ2
Mounting Pattern	100x100 / 75x75 mm	Dimension (WxHxD)	190x240x41.6
Material	SECC	Net Weight	2.6 KG
Tile(Hinge)	±360°	Support Max. Weight	15 KG



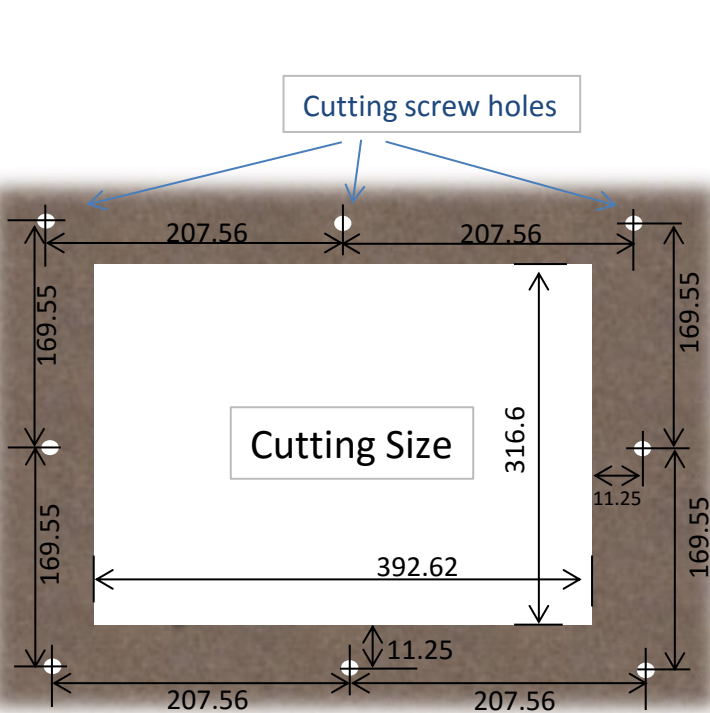
Optional Accessories (Open-frame Brackets)

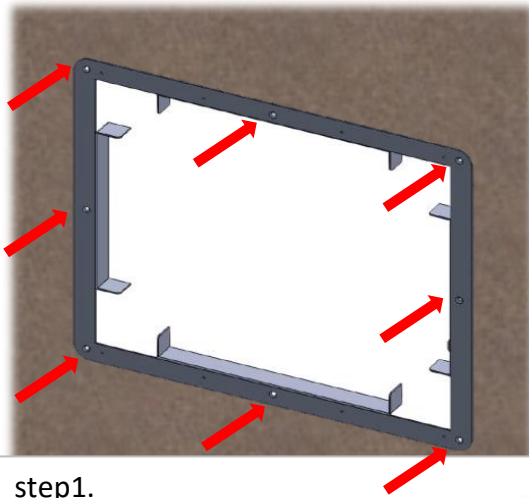


Optional Accessories (Panel Mount Kits)

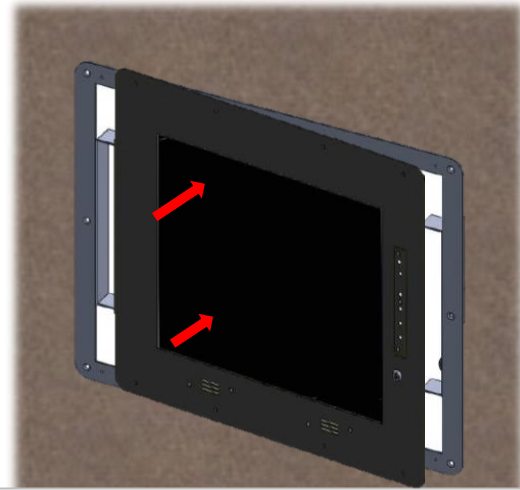


Tips.
OSD button and speaker can be on front or hidden on back.

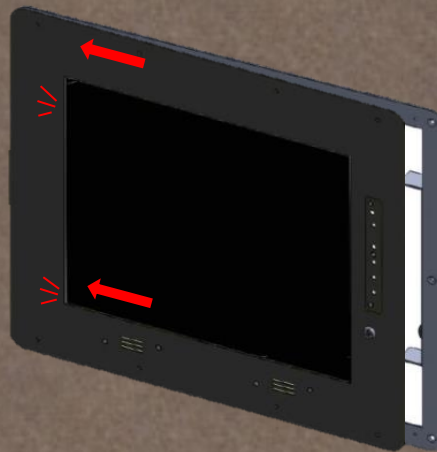


Optional Accessories (Panel Mount Kits)**Installing Guide**

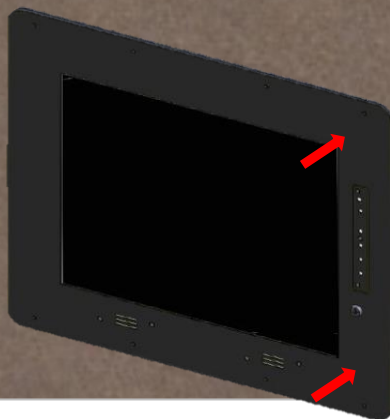
step1.
Mount the inner frame to wall/door/KIOSK , and screw it.
(Use M4 taper screws)



step2.
Mount the display from front and slightly keep right (insert aslant)



step3.
Push the display to the left, stuck up.



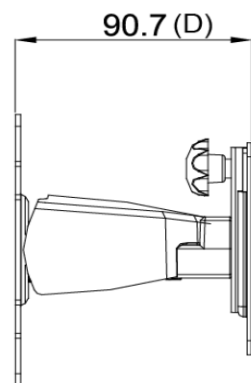
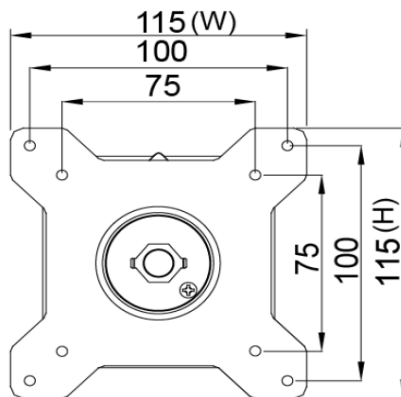
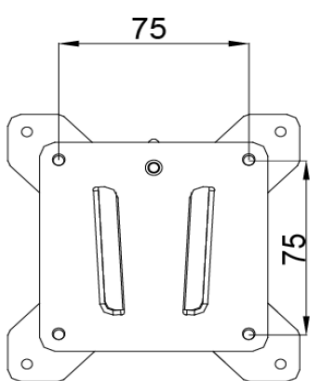
step4.
Push the display to insert completely



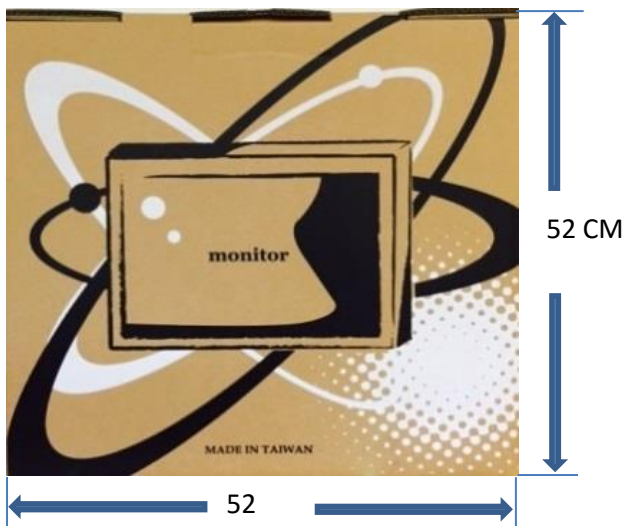
step5.
Lock it !



Optional Accessories (Wall Mount Bracket)



Packing Information



Net Weight	3KG
Gross Weight	5.7KG
Q'ty per Pallet	
Pallet Size	
Total Size	

Optional Accessories (Desktop Stand or Arm)



- 273x180x265 mm
 - 1.07 KG
 - Support 12 KG



- 620x556x123 mm
 - 3 KG
 - Support 10 KG



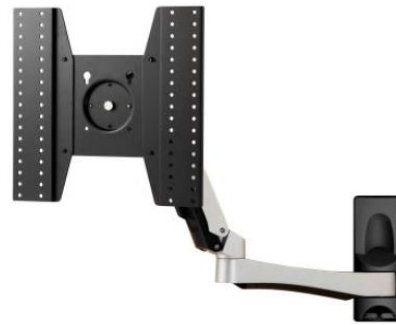
- 250x192x445 mm
 - 1.4 KG
 - Support 12 KG



- 655x858.5x563 mm
 - 7.56 KG
 - Support 30 KG



- 158x403x144 mm
 - 2.12 KG
 - Support 12 KG



- 646x861x953.5 mm
 - 8.57 KG
 - Support 30 KG



- 423x403x240 mm
 - 1.91 KG
 - Support 12 KG



- 1300x403x307 mm
 - 5.3 KG
 - Support 8 KG



- 715x393x144 mm
 - 3.68 KG
 - Support 12 KG

