



VGA (Dsub)

DVI

Adapter

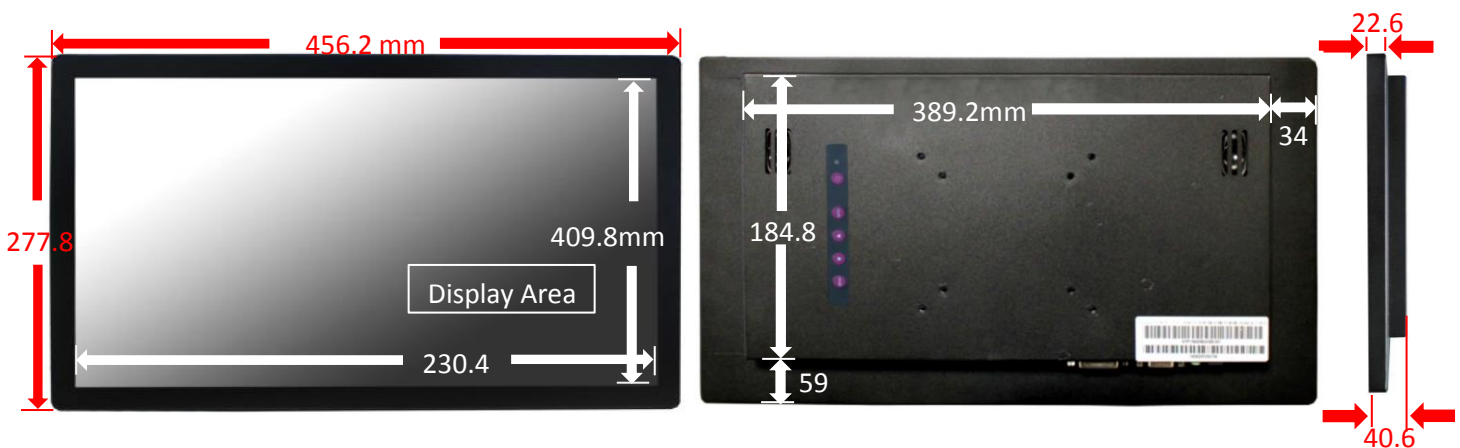
Display Characteristics

Model No.	NTP185	Resolution	1366x768 (HD)
Screen Diagonal	18.51 inch	Brightness	250 cd/m ²
Color	16.7M Colors	Contrast Ratio	1000:1
Display Area	409.8x230.4 mm	Viewing Angle (L/R)	170° (CR=10)
Pixel Pitch	0.3x0.3 mm	Viewing Angle (U/D)	160° (CR=10)
Display Ratio	16:9	Response Time	5 msec
Backlight Unit	LED	Surface Treatment	AG coating
Operating Temp.	0-50°C		

General Specification

Speaker	2Wx2	Dimension	456.2x277.8x40.6 mm
Wall Mount Holes	75x75 & 100x100 mm	Net Weight	4 KG
Housing Material	Galvanized Steel	Gross Weight	5 KG
Display interface	VGA/DVI	Other connectors	Audio-in, DC-in

Dimension



Features :

- ★ Projected Capacitive touch screen(10 points)
- ★ Easily touching the edge without obstruction.
- ★ Diverse Installing Options
- ★ Made in Taiwan
- ★ Matel enclosed cabinet



Touch Specification

Type	No Touch	Model No.	NTP1850
Type	Projected Capacitive	Model No.	NTP185B
Allowed touch points	10 point	Transparency	≥85%
Operating Temp.	-30°C~70°C	Hardness	≥7H
Interface	USB (typ.) / RS-232 (opt.)	Thickness of glass	2.5 mm

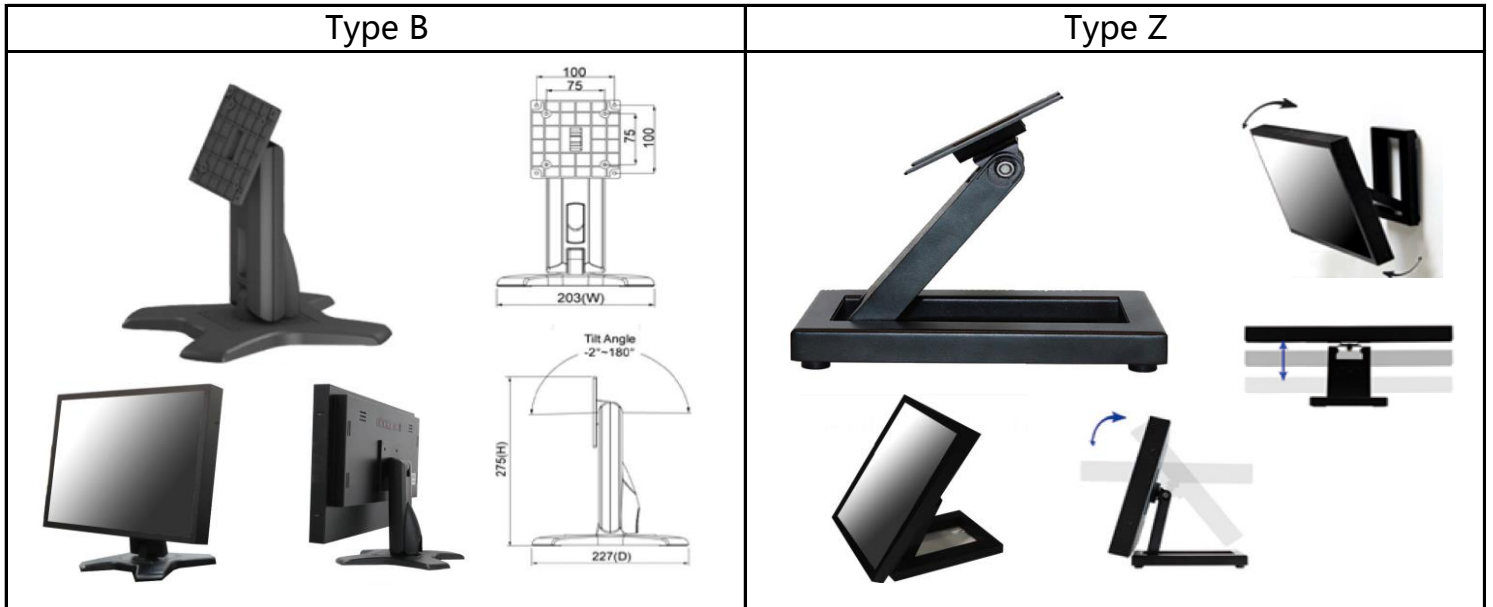
Customized Options

Brightness	1000 cd/m ²	Surface Splash Proof	Option
Surface Protection	Tempered glass	Color	Any Color (MOQ requested)
Coating Film	AG/AR/AF	Panel Mount Bezel	Customized Option
Open-frame bracket	Option	Webcam	Option (3M pixels)

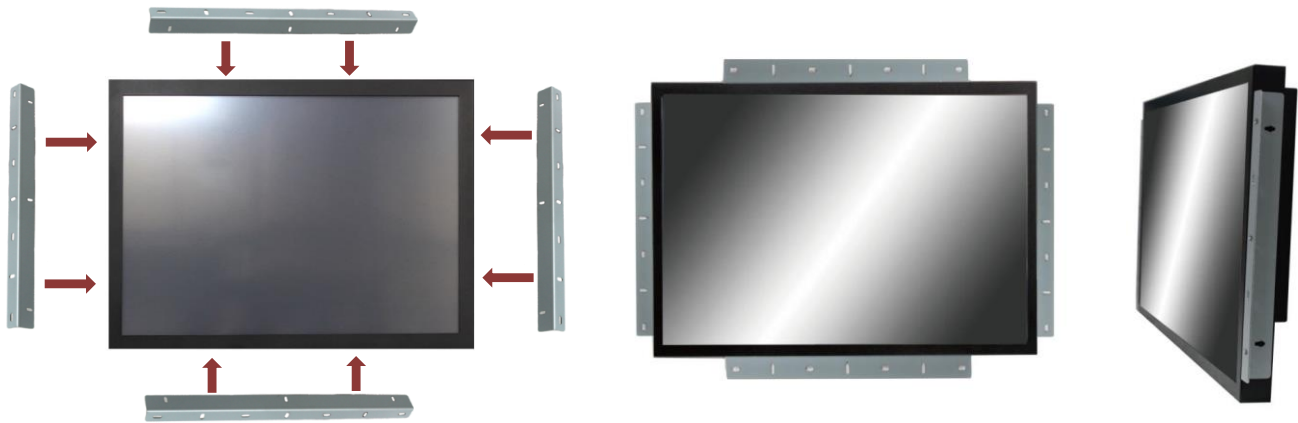
Supported OS

OS	Version
Windows	Win8, Win7 , Vista, XP, Embedded XP, Win2000, CE.NET 4.x ↑
Linux	Kernel 2.6.24 ↑
Android	3.0 ↑
Mac	10.5.x ↑ (Intel CPU)

Desktop Stand (option)



Open-frame Brackets (option)



Panel Mounted Bezel (customized option)

