



Product Specifications

Customer :	
Model No. :	NTP215

Features :



- ★ True Flat Touch Monitor
- ★ 7H Hardness Tempered Cover Glass
- ★ 10 points Multi-touch
- ★ 21.5" 16:9 ,1920x1080 (Full HD) Resolution
- ★ MVA Technology, Wide Viewing Angle (178° /178°)
- ★ Metal Cabinet with Diverse Combine Options
- ★ 3 Years Warranty
- ★ Survivable in All Kind of Environment
- ★ High Brightness Option
- ★ Anti-Glare/Anti-Reflection/Anti-Fingerprint Film Options
- ★ 12V/24V Power Input Options
- ★ All Kind of Connectors Option (VGA/DVI/HDMI/DP)



Records of Revision			
Vision	Modifying	Old Description	New Description
v1703.1	Re-Issue		

Display Specifications

General Specifications

Full Model No.	NTP2150XXXXXXX-002	Support Color	16.7M Color
Abbreviation	NTP215	Pixel Pitch	248.25x248.25 um
Screen Diagonal	21.53 inch	Response Time	18 msec
Display Area	476.64x268.11 mm	Backlight Unit	LED (white LED)
Resolution	1920x1080 (FHD)	Viewing Angle (L/R,U/D)	178° / 178° (MVA)
Brightness	Optional	Backlight Life Time	30000 HRS
Contrast Ratio	3000:1	Operating Temp.	0~50°C
Display Ratio	16:9	Surface Treatment	Anti-glare, Hardness 3H

Brightness Options

Item	Brightness	Model No.
Standard	250 nits	NTP2150XXXXNXX-002
Enhanced	1000 nits	NTP2150XXXXAXX-002
Enhanced	1500 nits	NTP2150XXXXEXX-002

Display Input Options

Item	Connectors	Model No.
Standard	VGA+DVI	NTP2150XXXXXXG-002
Option1	VGA+DVI+HDMI	NTP2150XXXXXXI-002
Option2	VGA+HDMI+DP	NTP2150XXXXXXZ-002

Power Input Options

Power Input	Connector	Model No.
DC 12V (Standard)	DC Jack 2.1 φ with Adapter	
DC 12V (Lockable)	DC Jack 2.1 φ with Adapter (Lockable)	
DC 24V (Lockable)	DC Jack 2.1 φ with Adapter	

Fan Options

Item	Description	Model No.
Standard	Fanless	
Option1	With Fan	

Supported OS

OS	Version
Windows	Win10, Win8, Win7 , Vista, XP, Embedded XP, Win2000, CE.NET 4.x ↑
Linux	Kernel 2.6.24 ↑
Android	3.0 ↑
Mac	10.5.x ↑ (Intel CPU)

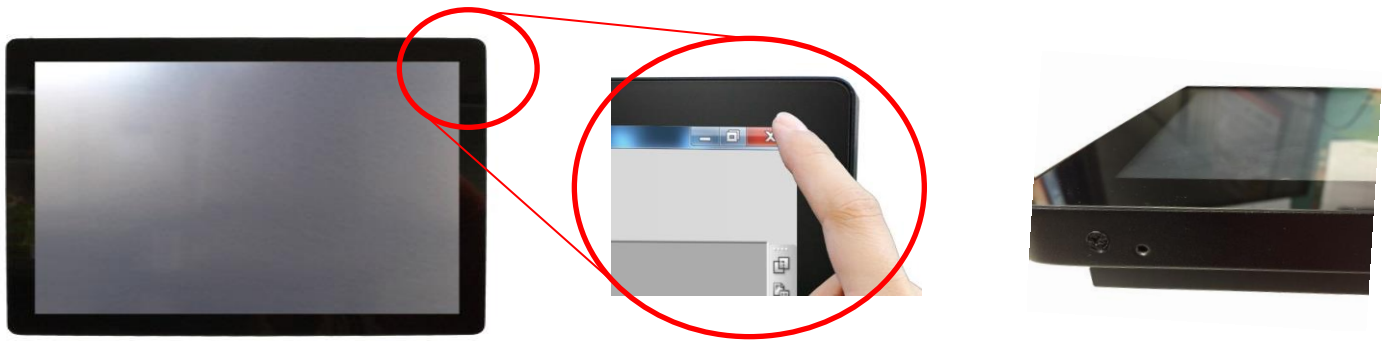
Touch Specifications

Non-touch Model

Full Model No.	NTP2150XXXXXX-002	Tempered Glass Thickness	2.0±0.2mm
		Glass Hardness	≥7H

PCAP Touch Model

Full Model No.	NTP215BXXXXXX-002	Transparency	≥87%
Touch Screen	Projected Capacitive	Operating Temp.	-10°C~50°C
Allowed touch points	10 points	Touch Screen Thickness	2.2±0.2mm
Interface	USB or RS232	Hardness	≥7H



* True flat / Zero Bezel

Surface Film Options

AG	Anti-Glare	AR	Anti-Reflective
AFP	Anti-Fouling/FingerPrint	AS	Anti-Spy (MOQ required)

Physical Specifications

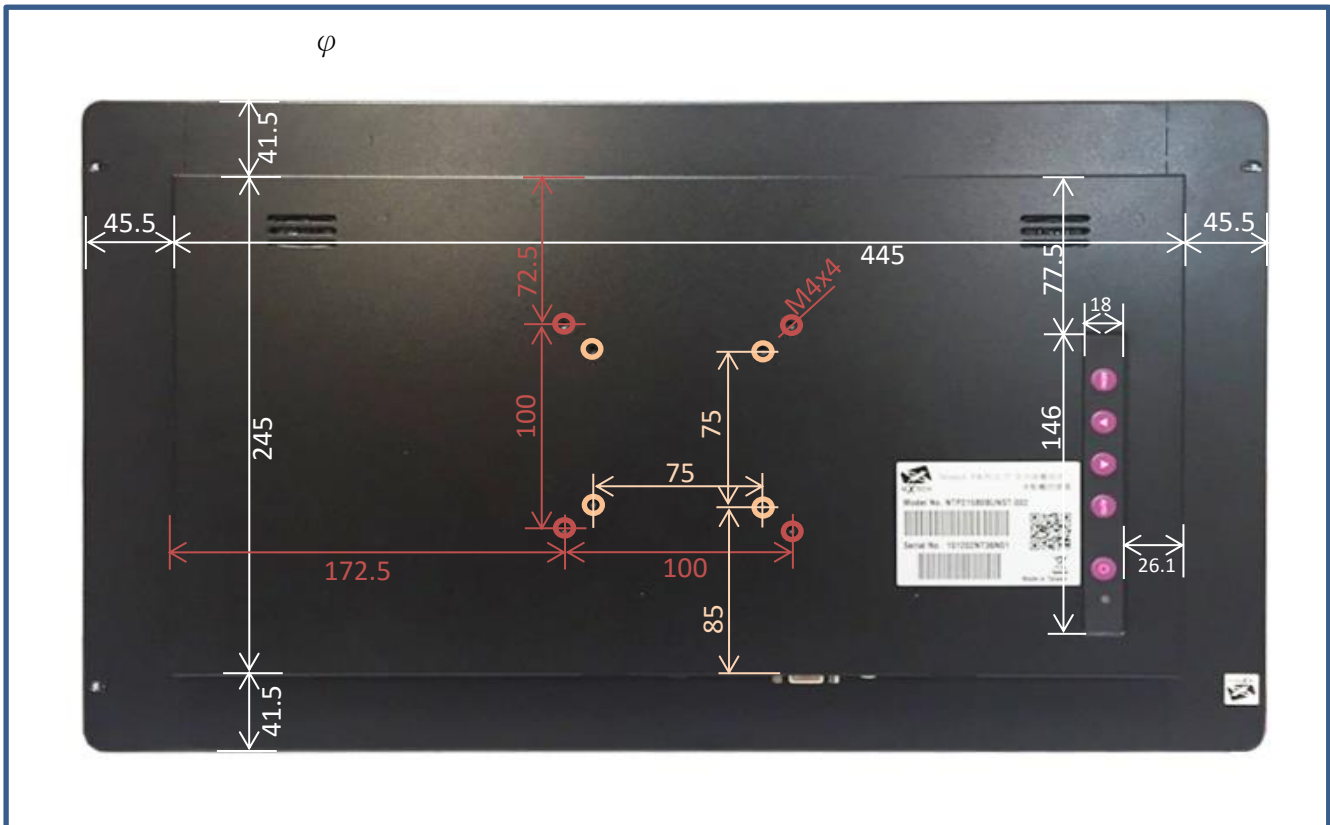
Dimension (Max)	536x327x39 mm	Cabinet Material	Galvanized steel (SECC)
Net Weight	≤5.19 KG	Speaker	2W x2
Wall Mount Hole	75x75 & 100x100 mm		

Accessories

Item	Description	Quantity
VGA Cable	D-Sub 15Pin Male to Male , 1.2 Meter	1
Audio cable	3.5mm Headset Jack , Male to Male , 1.2 Meter	1
AC-DC Adapter	4.16A/12V with CE/FCC/CCC/UL/RoHS/PSE/JET Certification	1
Power cord	*(depends on Country)	1
USB Cable	A type , Male to Male , 1.5 Meter *(only for touch monitor)	1



Outward and Dimensions

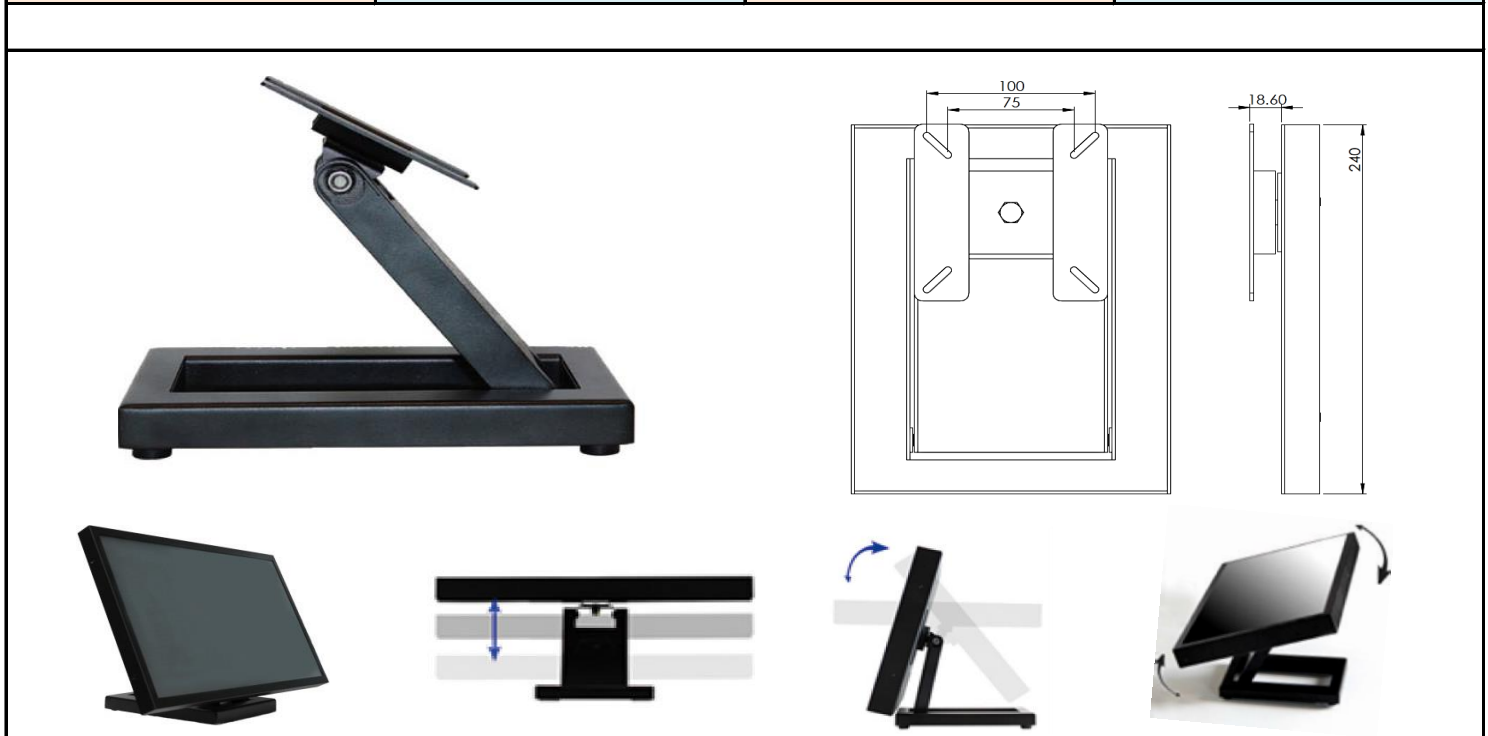


Optional Accessories (Desktop Stand)

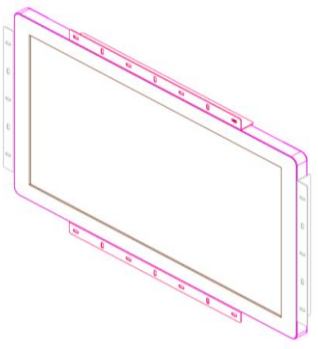
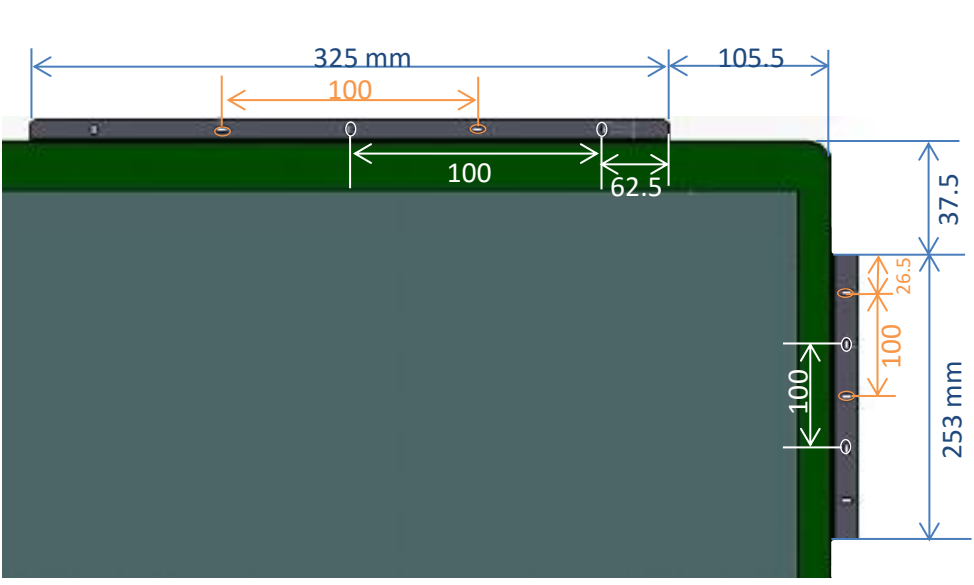
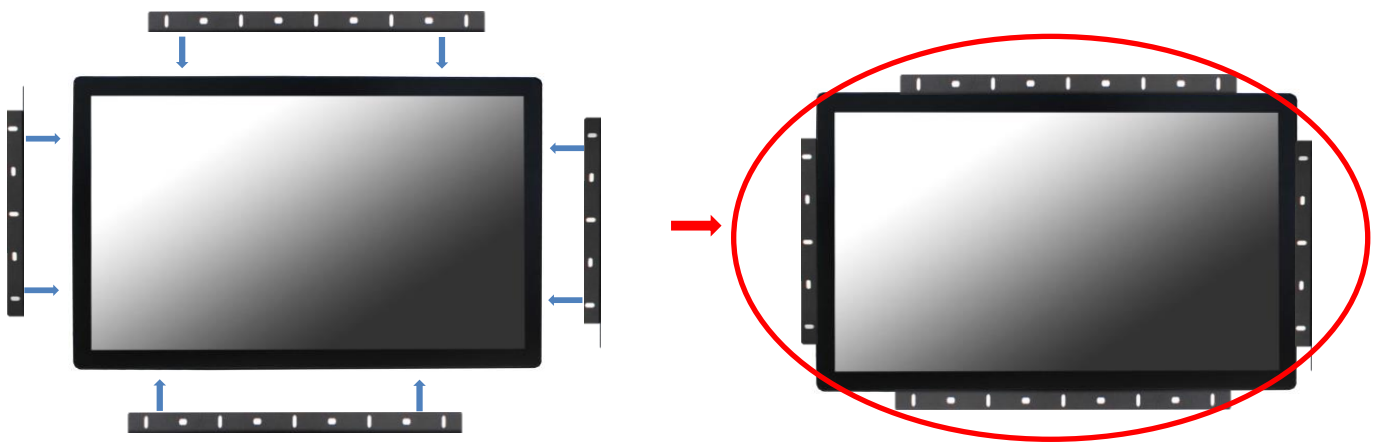
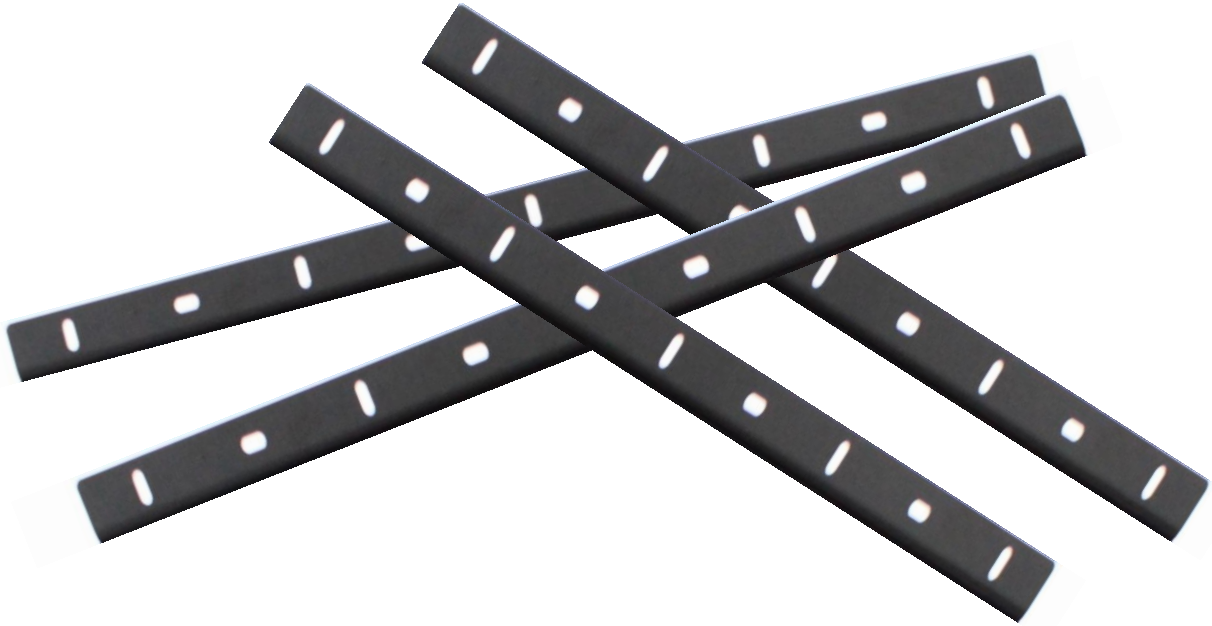
Item	B Stand	Part No.	P1SS0 / P1SS0-02
Mounting Pattern	100x100 / 75x75 mm	Dimension (WxHxD)	203x275x227 mm
Material	Steel/Plastic/Aluminum	Net Weight	1.8 KG
Tilt(Hinge)	-2° ~ +180°	Support Max. Weight	15 KG



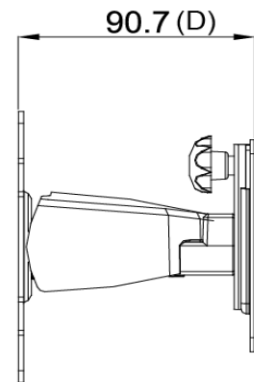
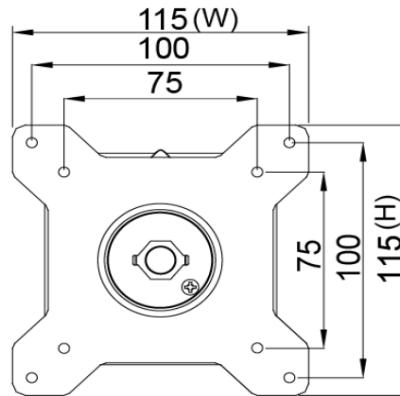
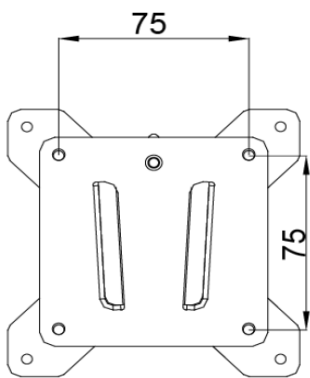
Item	Z Stand	Part No.	P1SZ2
Mounting Pattern	100x100 / 75x75 mm	Dimension (WxHxD)	190x240x41.6
Material	SECC	Net Weight	2.6 KG
Tilt(Hinge)	±360°	Support Max. Weight	15 KG



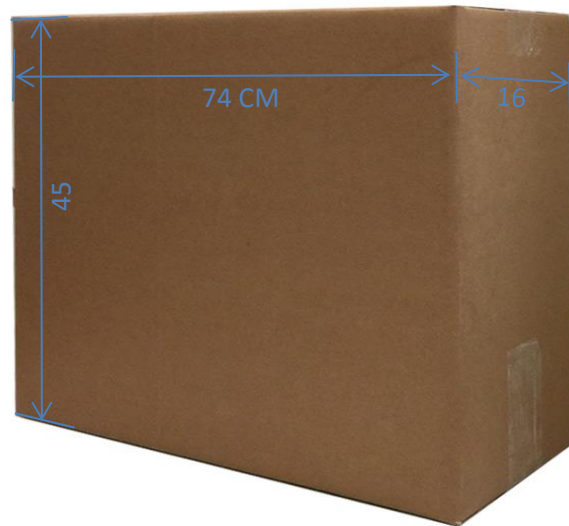
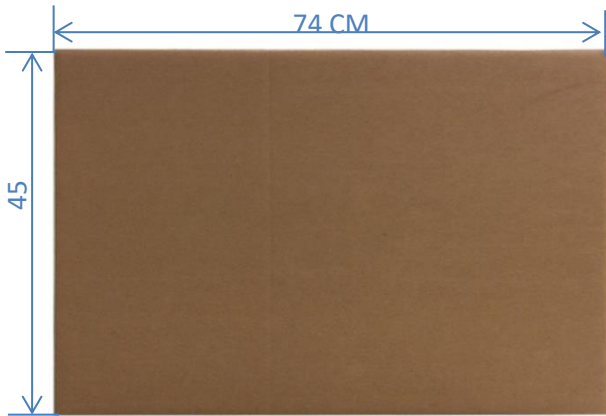
Optional Accessories (Open-frame Brackets)



Optional Accessories (Wall Mount Bracket)



Packing Information



Net Weight	5.19 KG
Gross Weight	7.46 KG
Q'ty per Pallet	30 units
Pallet Size	120x100x15 CM
Total Size	120x100x163 CM, 238.8 KG

Optional Accessories (Desktop Stand or Arm)



- 273x180x265 mm
 - 1.07 KG
 - Support 12 KG



- 620x556x123 mm
 - 3 KG
 - Support 10 KG



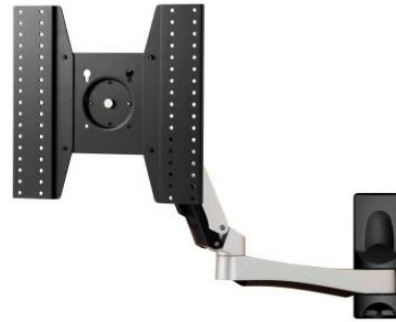
- 250x192x445 mm
 - 1.4 KG
 - Support 12 KG



- 655x858.5x563 mm
 - 7.56 KG
 - Support 30 KG



- 158x403x144 mm
 - 2.12 KG
 - Support 12 KG



- 646x861x953.5 mm
 - 8.57 KG
 - Support 30 KG



- 423x403x240 mm
 - 1.91 KG
 - Support 12 KG



- 1300x403x307 mm
 - 5.3 KG
 - Support 8 KG



- 715x393x144 mm
 - 3.68 KG
 - Support 12 KG

