



Product Specifications

Customer :	
Model No. :	NTSP150 V304



Features :

- ★ 15" PCAP True Flat Touch Monitor
- ★ 7H Hardness Tempered Cover Glass
- ★ 10 points Multi-touch
- ★ 15" 4:3 ,1024x768 (XGA) Resolution
- ★ IPS Technology, Wide Viewing Angle (176° /176°)
- ★ Wide Working Temperature
- ★ Metal Cabinet with Diverse Combine Options
- ★ 3 Years Warranty
- ★ Survivable in All Kind of Environment
- ★ High Brightness Option
- ★ Anti-Glare/Anti-Reflection/Anti-Fingerprint Film Options
- ★ 12V/24V/9-36V Power Input Options
- ★ All Kind of Connectors Option (VGA/DVI/HDMI/DP)



 BSMI	 CE	 FCC	 RoHS
Compliance			

Records of Revision			
Vision	Modifying	Old Description	New Description
v1704.1	first issue		

Display Specifications

General Specifications

Full Model No.	NTSP150NP-XXXXXXX-304	Support Color	16.7M Color
Abbreviation	NTSP150 <u>V304</u>	Pixel Pitch	297x297 um
Screen Diagonal	15.0 inch	Response Time	18 msec
Display Area	304.1x228.1	Backlight Unit	LED (white LED)
Resolution	1024x768	Viewing Angle (L/R,U/D)	176° / 176° (IPS)
Brightness	500 nits (Optional)	Backlight Life Time	70000 HRS
Contrast Ratio	2500:1	Operating Temp.	-30~80°C
Display Ratio	4:3	Surface Treatment	Anti-glare, Hardness 3H

Brightness Options

Item	Brightness	Model No.
Standard	500 nits	NTSP150 <u>5</u> P-XXXXXXX-304
Enhanced	1000 nits	NTSP150 <u>A</u> P-XXXXXXX-304
Enhanced	1600 nits	NTSP150 <u>G</u> P-XXXXXXX-304

Display Input Options

Item	Connectors	Model No.
Standard	VGA+DVI	NTSP150XX-XXXXX <u>1</u> X-304
Option1	VGA+DVI+HDMI	NTSP150XX-XXXXX <u>7</u> X-304
Option2	VGA+HDMI+DP	NTSP150XX-XXXXX <u>3</u> X-304

Power Input Options

Power Input	Connector	Model No.
DC 12V (Standard)	DC Jack 2.1 ϕ with Adapter	NTSP150NP-XXXXXX <u>1</u> -304
DC 12V (Lockable)	DC Jack 2.1 ϕ with Adapter (Lockable)	NTSP150NP-XXXXXX <u>2</u> -304
DC 24V (Lockable)	DC Jack 2.1 ϕ with Adapter	NTSP150NP-XXXXXX <u>4</u> -304
9~36V Wide Range	Phoenix Terminel Block (3 pin)	NTSP150NP-XXXXXX <u>9</u> -304

Fan Options

Item	Description	Model No.
Standard	Fanless	NTSP150NP-XXXXX <u>0</u> X-304
Option1	With Fan	NTSP150NP-XXXXX <u>F</u> X-304



Touch Specifications

Non-touch Model

Full Model No.	NTSP150N _Q -XXXXXXX-304	Tempered Glass Thickness	2.0±0.2mm
		Glass Hardness	≥7H

PCAP Touch Model

Full Model No.	NTSP150N _P -XXXXXXX-304	Transparency	≥87%
Touch Screen	Projected Capacitive	Operating Temp.	-10°C~50°C
Allowed touch points	10 points	Touch Screen Thickness	2.2±0.2mm
Interface	USB or RS232	Hardness	≥7H



* True flat / Zero Bezel

Surface Film Options

AG	Anti-Glare	AR	Anti-Reflective
AFP	Anti-Fouling/FingerPrint	AS	Anti-Spy (MOQ required)

Physical Specifications

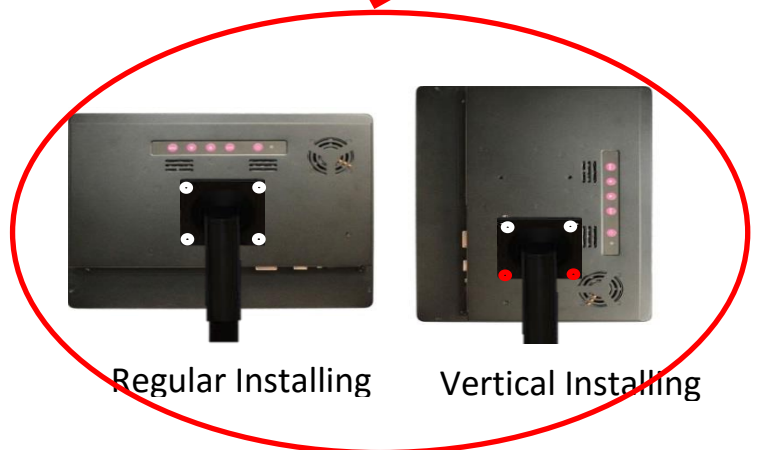
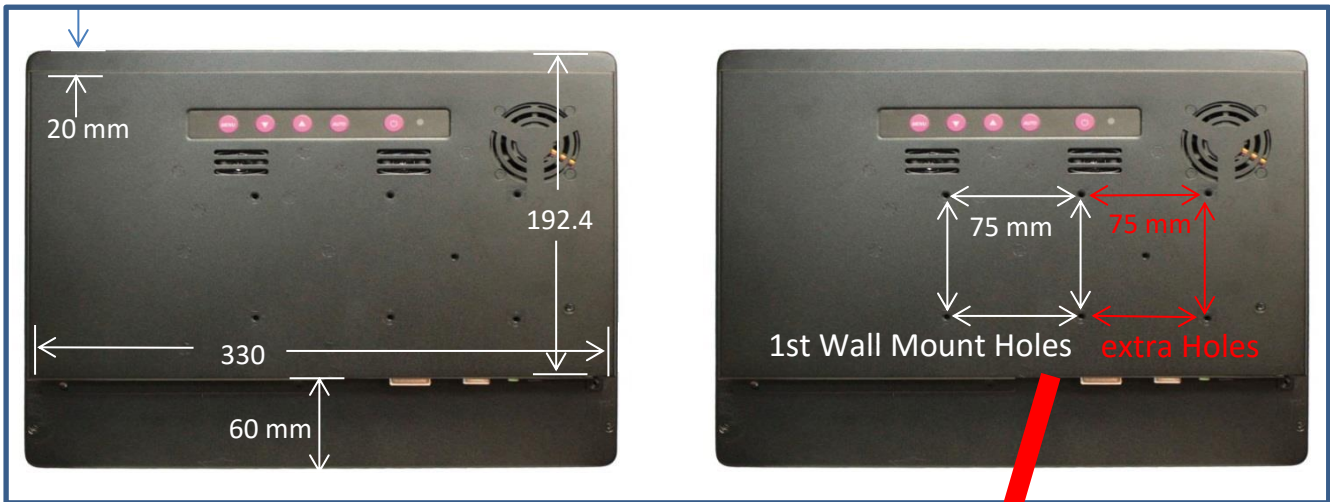
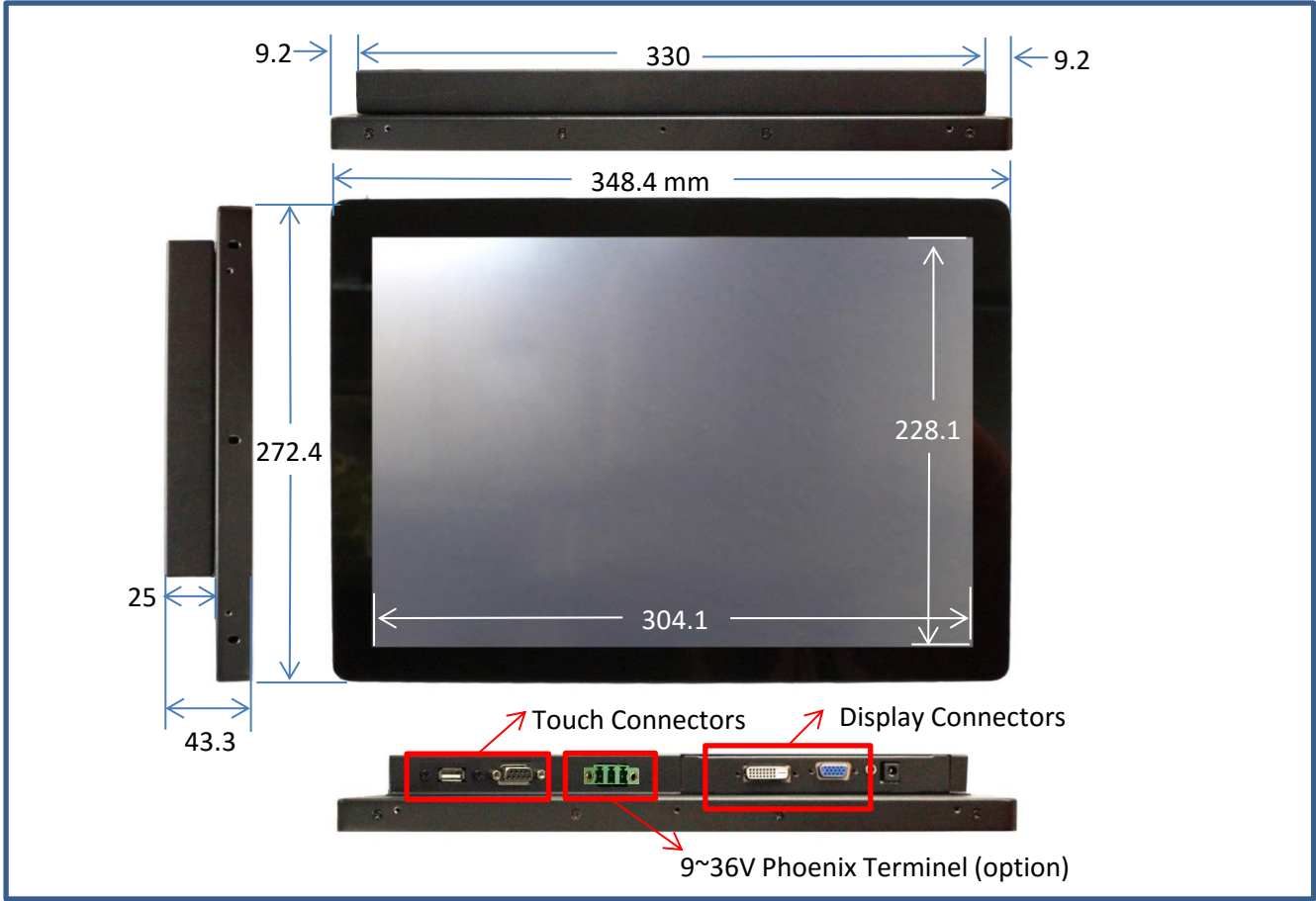
Dimension (Max)	348.4x272.4x43.3 mm	Cabinet Material	Galvanized steel (SECC)
Net Weight	≤4 KG	Speaker	2W x2
Wall Mount Hole	VESA 75x75 mm		

Accessories

Item	Description	Quantity
VGA Cable	D-Sub 15Pin Male to Male , 1.2 Meter	1
Audio cable	3.5mm Headset Jack , Male to Male , 1.2 Meter	1
AC-DC Adapter	4.16A/12V with CE/FCC/CCC/UL/RoHS/PSE/JET Certification	1
Power cord	*(depends on Country)	1
USB Cable	A type , Male to Male , 1.5 Meter *(only for touch monitor)	1



Outward and Dimensions

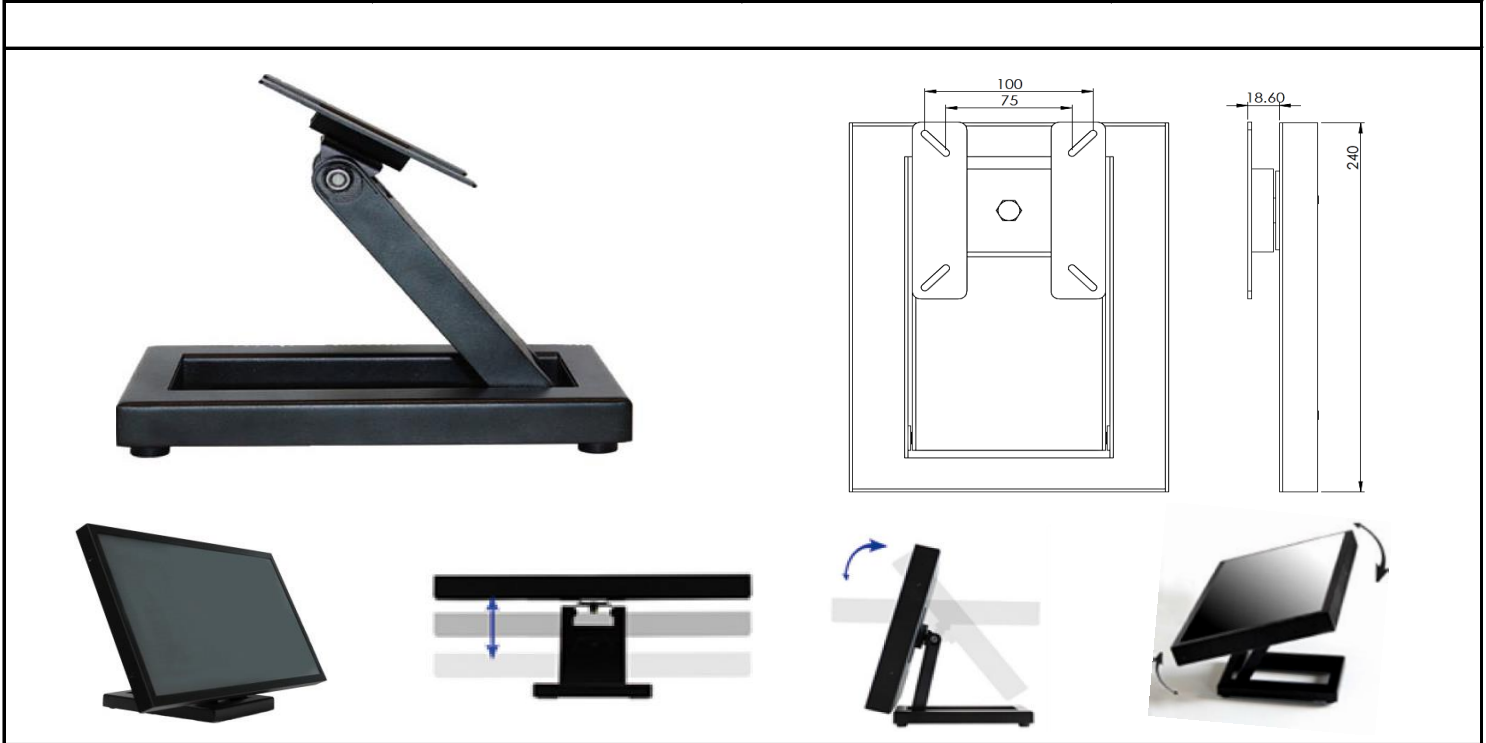


Optional Accessories (Desktop Stand)

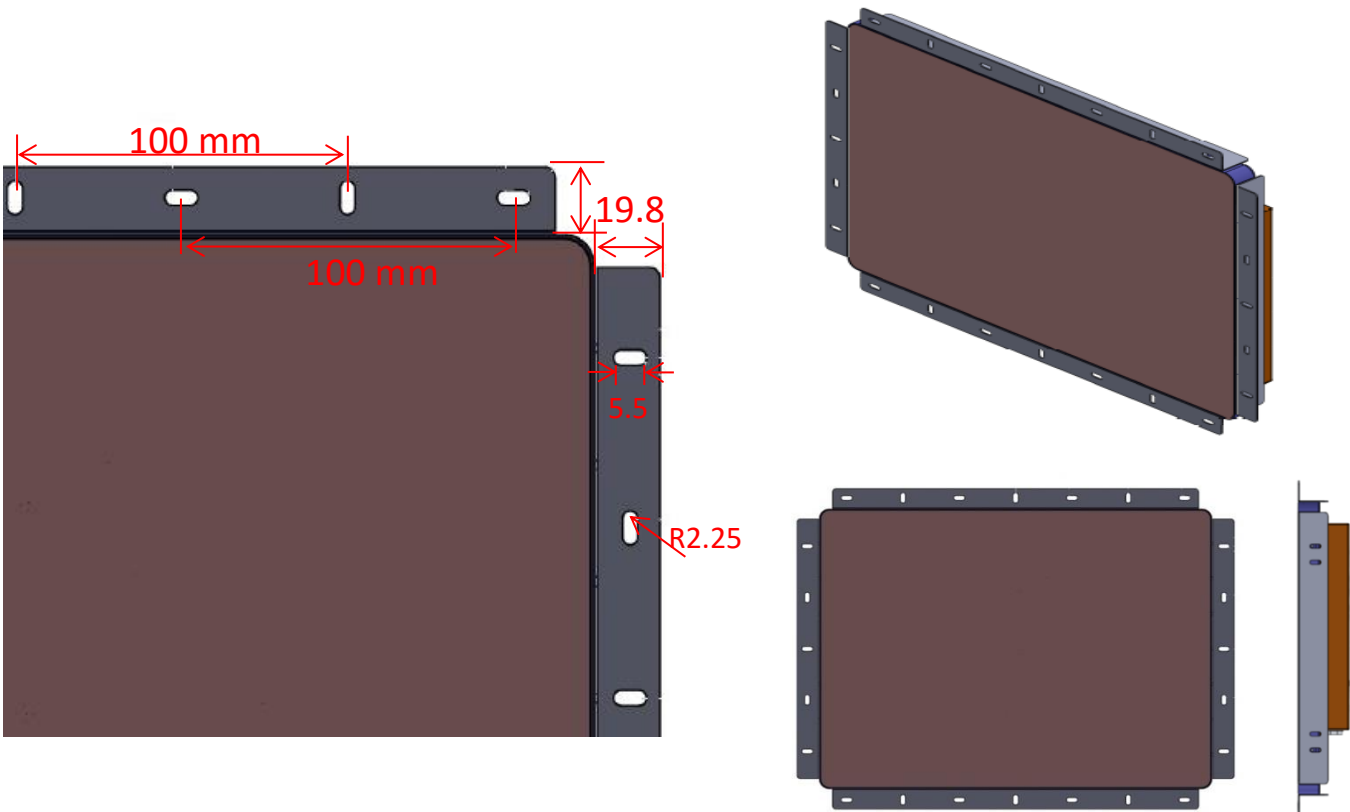
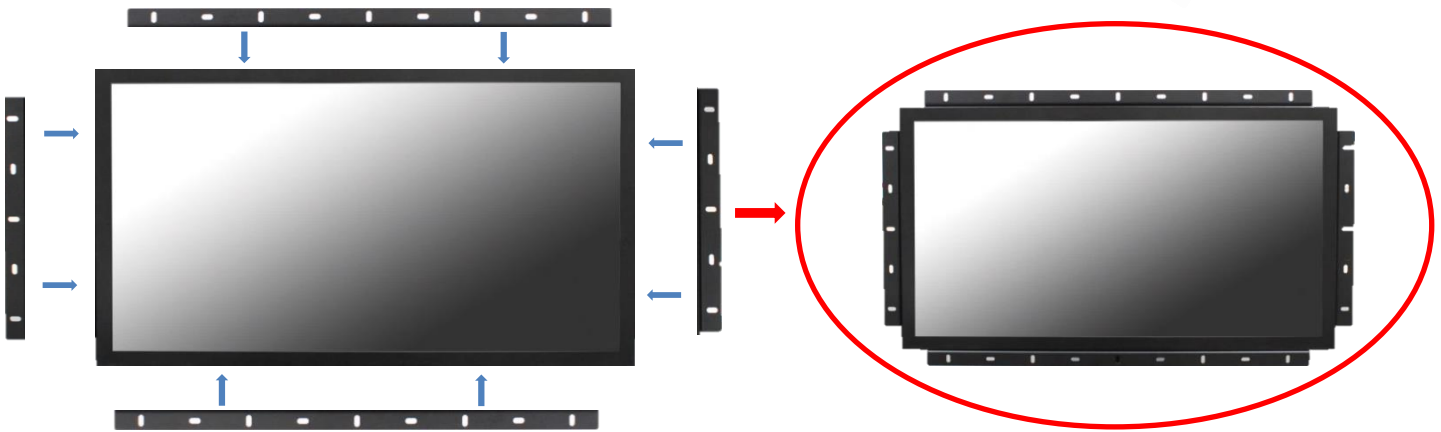
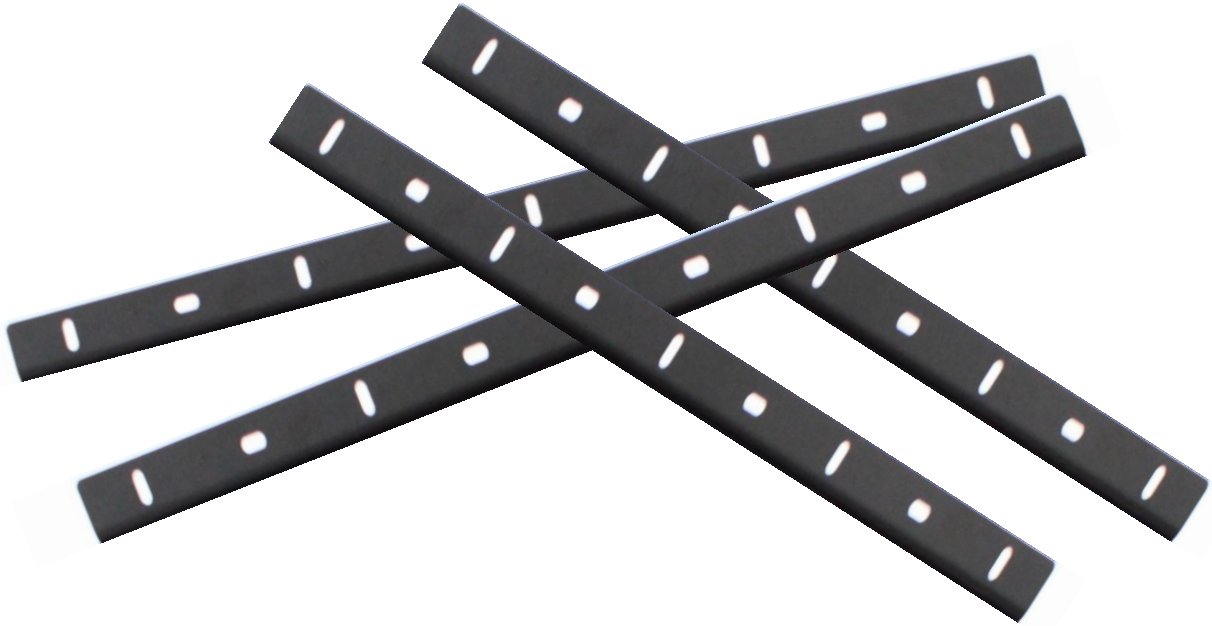
Item	B Stand	Part No.	P1SS0 / P1SS0-02
Mounting Pattern	100x100 / 75x75 mm	Dimension (WxHxD)	203x275x227 mm
Material	Steel/Plastic/Aluminum	Net Weight	1.8 KG
Tilt(Hinge)	-2° ~ +180°	Support Max. Weight	15 KG



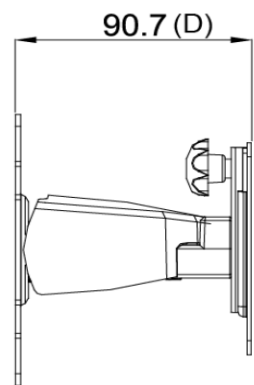
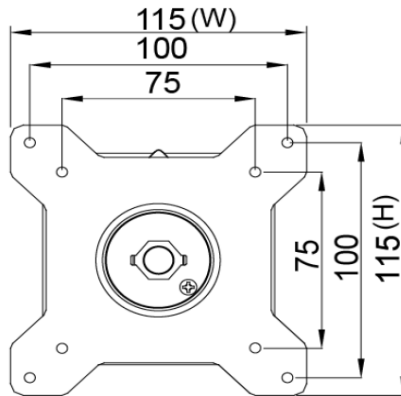
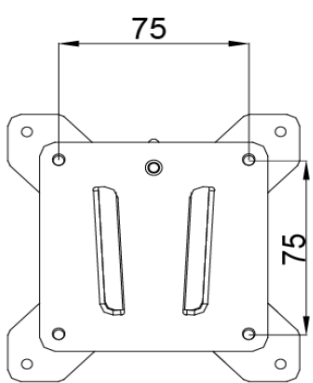
Item	Z Stand	Part No.	P1SZ2
Mounting Pattern	100x100 / 75x75 mm	Dimension (WxHxD)	190x240x41.6
Material	SECC	Net Weight	2.6 KG
Tilt(Hinge)	±360°	Support Max. Weight	15 KG



Optional Accessories (Open-frame Brackets)



Optional Accessories (Wall Mount Bracket)

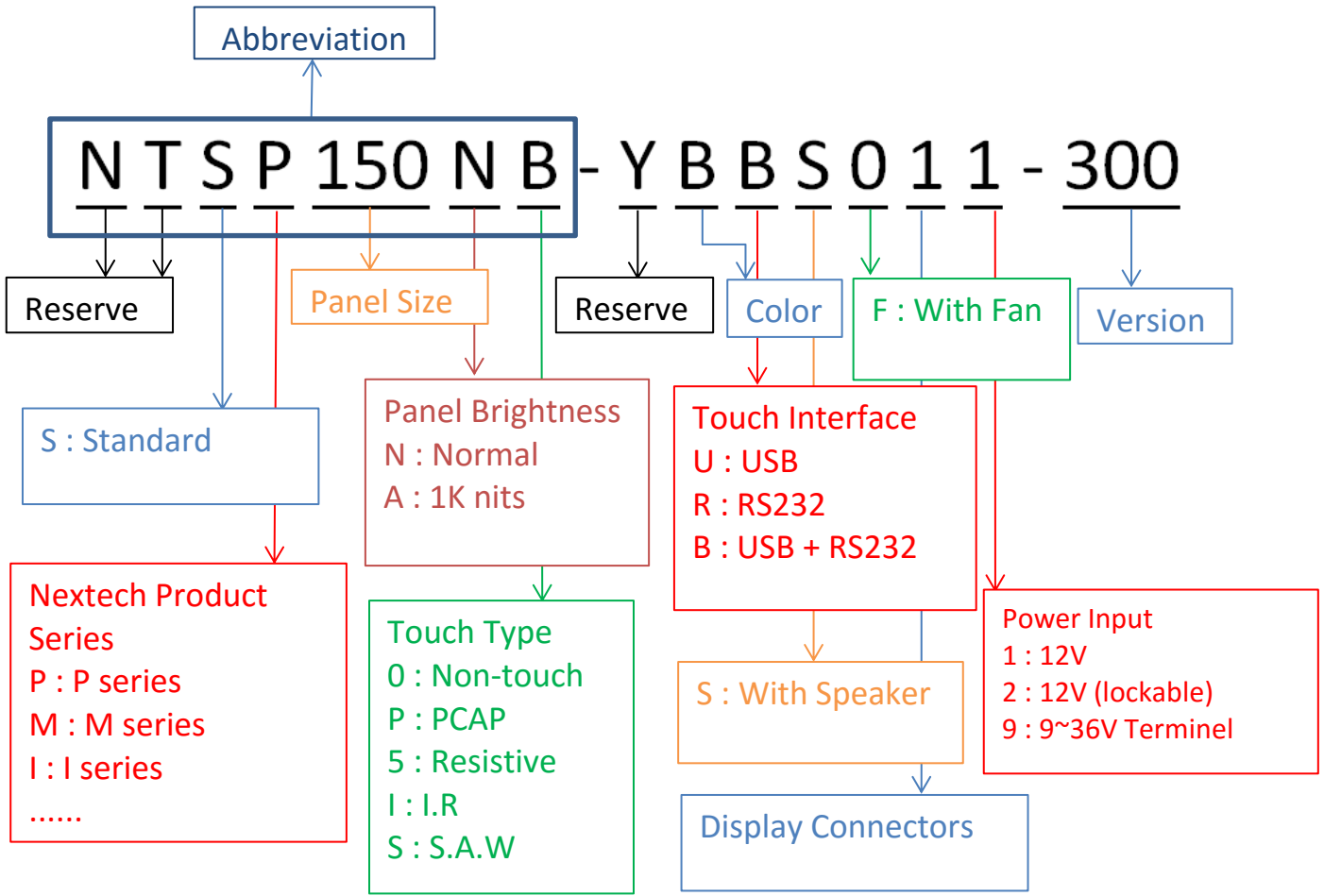


Packing Information

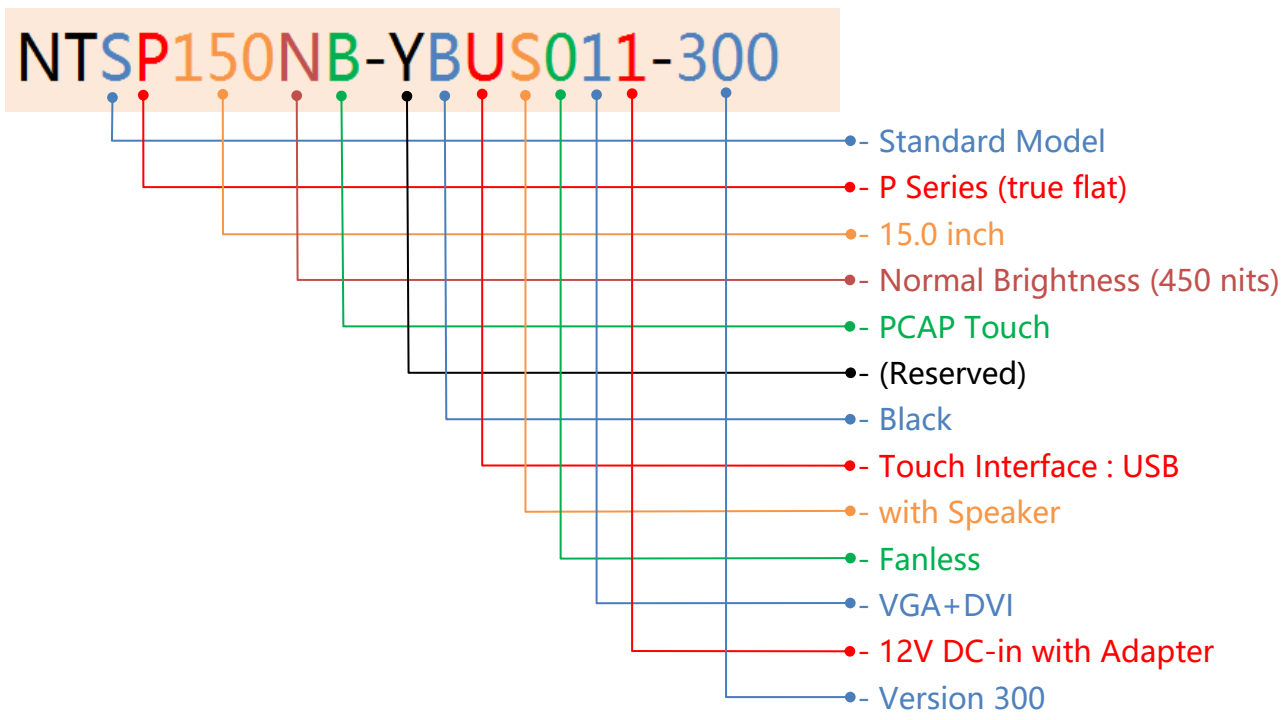


Net Weight	4 KG
Gross Weight	5.5 KG
Q'ty per Pallet	30 units
Pallet Size	120x100x15 CM
Total Size	120x100x150 CM, 180 KG

Coding Rule



Examples



Optional Accessories (Desktop Stand or Arm)



- 273x180x265 mm
- 1.07 KG
- Support 12 KG



- 620x556x123 mm
- 3 KG
- Support 10 KG



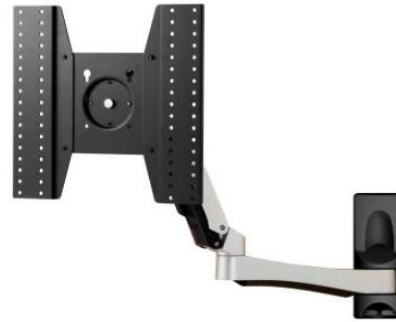
- 250x192x445 mm
- 1.4 KG
- Support 12 KG



- 655x858.5x563 mm
- 7.56 KG
- Support 30 KG



- 158x403x144 mm
- 2.12 KG
- Support 12 KG



- 646x861x953.5 mm
- 8.57 KG
- Support 30 KG



- 423x403x240 mm
- 1.91 KG
- Support 12 KG



- 1300x403x307 mm
- 5.3 KG
- Support 8 KG



- 715x393x144 mm
- 3.68 KG
- Support 12 KG

