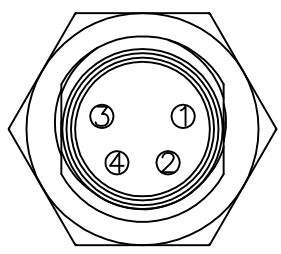
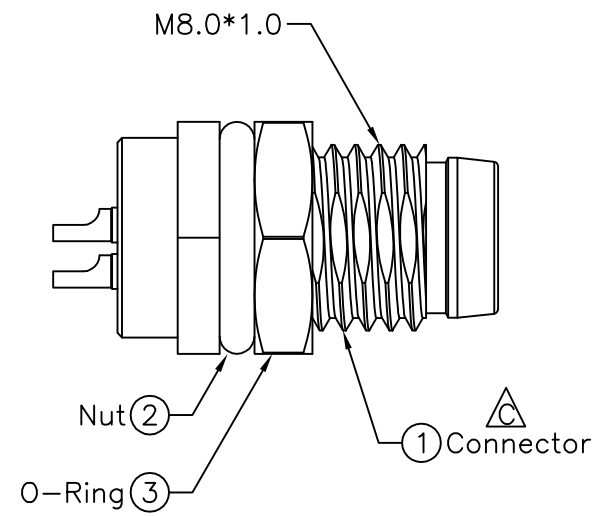
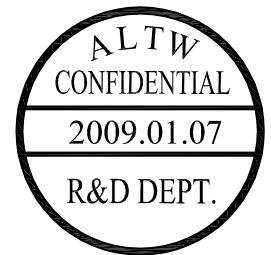
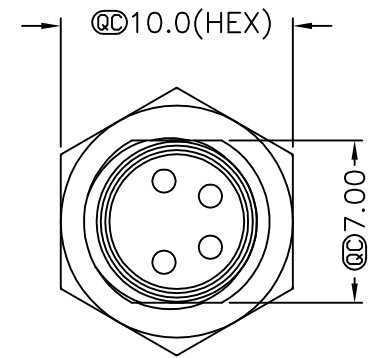
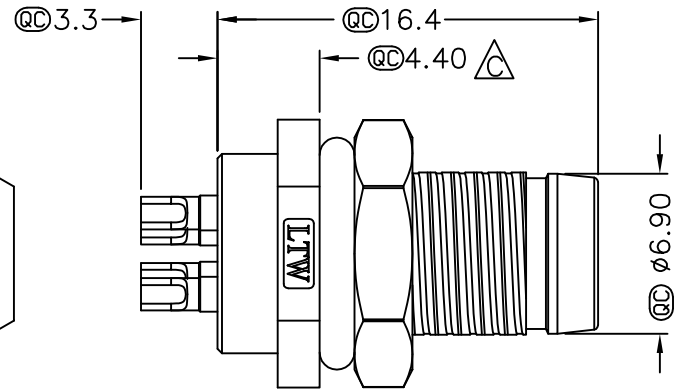
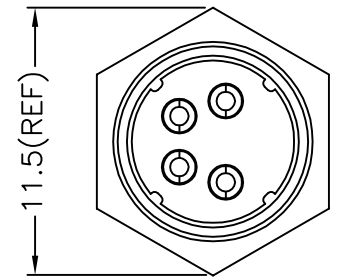
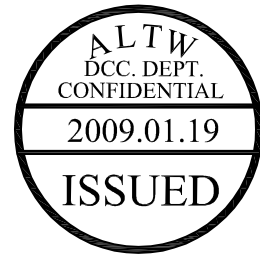
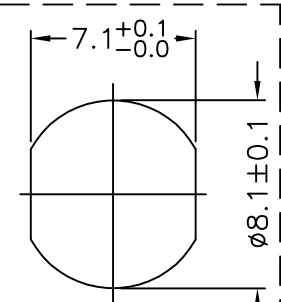


REV	ECN NO.	DATE	SIGN	DESCRIPTION
B	LEN-7A0175	2007/09/29	Myrdal	Added Note
C	LEN-910188	2009/01/07	Ivan Lin	Change rev. to ECN note

THIS DOCUMENT IS SUBJECT TO CHANGE WITHOUT NOTICE. IT IS CONFIDENTIAL AND A PROPERTY OF Amphenol LTW. DISCLOSURE TO THIRD PARTY HAS TO BE AUTHORIZED BY Amphenol LTW.



Pin Assignments
Front View



Recommended
Panel Cut-Out

- Note:
- * @C Important Dimension.
 - * Waterproof Rate: IP67
 - * Housing: Black, Nylon+GF
 - * Male Pin: Copper Alloy, Gold Plated
 - * Shield: Zinc Alloy, Nickel Plated
 - * Nut: Copper Alloy, Nickel Plated
 - * O-Ring: Black, EPDM
 - * For Panel Thickness Max 3.0mm
 - * Nut Torque: 4-6 kgf.cm

UNIT:mm		TITLE M8 Conn Panel Screw 4P M Conn M Pin	Amphenol LTW 安費諾亮泰企業股份有限公司	ITEM NO 8-04PMMS-SF7001	DRAWN BY Ivan Lin	DATE 2009/01/07
TOLERANCE .X ±0.25 .XX ±0.1 .XXX ±0.05 ANGLES ±1°	SCALE Free	SHEET 1 OF 1		DWG NO 8-04PMMS-SF7001	CHECKED BY Tommy Hom	DATE 2009/01/07
REV. C	SIZE A4	@C : Inspection Item		CUSTOMER ALTW	APPROVED BY Luke Chang	DATE 2009/01/07