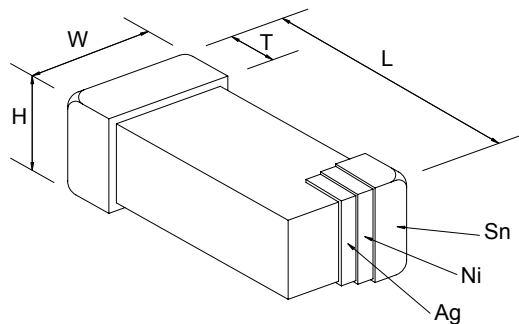
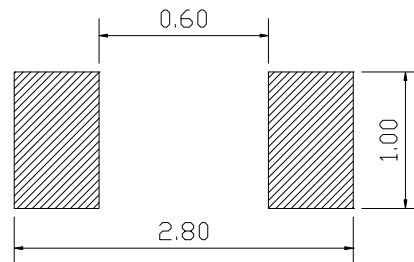


**0603 fast blow series**
**SMD chip fuse**
**Features**

- ✧ Multilayer monolithic structure with glass ceramic body and silver fusing element
- ✧ Silver termination with nickel and pure-tin solder plating,
- ✧ providing excellent solderability
- ✧ Compatible with both wave and reflow soldering processes
- ✧ Operating temperature range:  $-55^{\circ}\text{C}$  to  $+125^{\circ}\text{C}$


**Product Dimensions and Recommended Land Pattern**

Part number	L	W	H	T
0603WCF100A032V	$1.60 \pm 0.15$	$0.80 \pm 0.15$	0.95max	0.10min


**Dimensions**

**Recommended Land Pattern**
**Clear-Time Characteristics (Fast blow)**

% of current rating Clear-time at 25 °C	Clear-time at 25 °C
100%	4 hours min.
250%	5 seconds max.
400%	0.05 seconds max.

**Interrupting Ratings**

1A	50A at rated voltage
1.5 A---6A	35A at rated voltage

## Electrical Characteristic

Part Number	Current Rating (A)	Voltage Rating (VDC)	Cold DCR ( $\Omega$ )
0603WCF050A032V	0.5	32	0.380
0603WCF075A032V	0.75	32	0.200
0603WCF100A032V	1.0	32	0.131
0603WCF150A032V	1.5	32	0.060
0603WCF200A032V	2.0	32	0.044
0603WCF250A032V	2.5	32	0.032
0603WCF300A032V	3.0	32	0.025
0603WCF350A032V	3.5	32	0.023
0603WCF400A032V	4.0	32	0.018
0603WCF500A032V	5.0	32	0.013
0603WCF600A024V	6.0	24	0.010

# Average Clear-Time Curves and $I^2t$ vs. $t$ Curves

