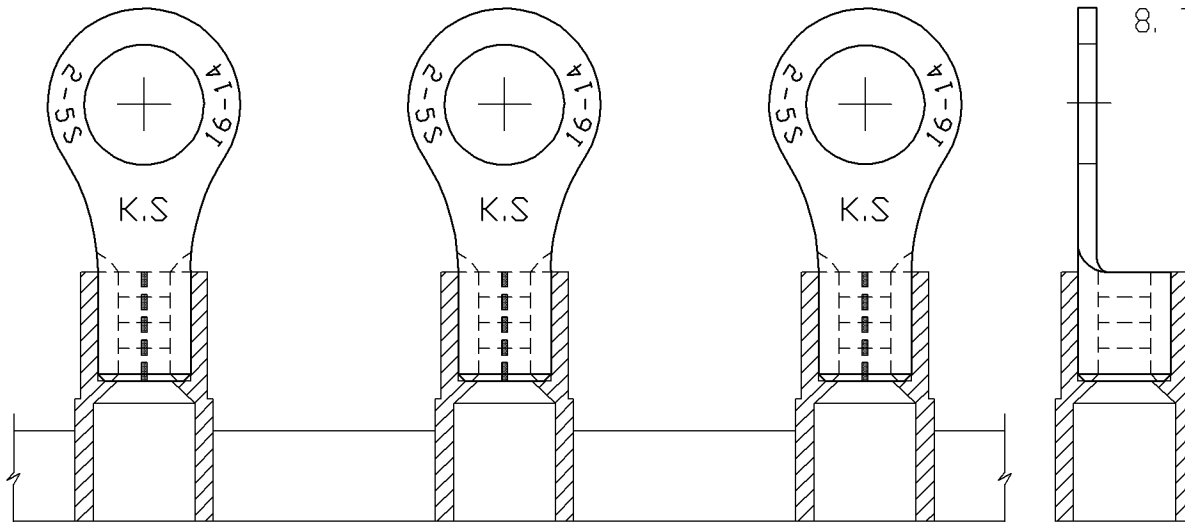


REV	DESCRIPTION	DATE
△	RDK-97127	張馨尹 2011/05/18
△	RDK-98020	張馨尹 2011/05/18
△	RDC-100002	張馨尹 2011/05/18

- NOTE :
- MAXIMUM ELECTRIC CURRENT :

A.W.G.	16	14	
AMP.	18	30	
 - MAXIMUM ELECTRICAL RATING : 105°C 600 VOLTS MAX.
 - INSULATION MATERIAL : NYLON
 - INSULATION COLOR : BLUE
 - TERMINAL MATERIAL : COPPER
 - WIRE RANGE : 16-14 A.W.G. (1.5-2.5 mm²)
 - TERMINAL SURFACE TREATMENT : TIN PLATED
 - TERMINAL THICKNESS : 0.8 mm



Tolerance Unless Otherwise Specified	
0 >	mm ± ANGLE
>	mm ± 0° ° REF ±
>	mm ± ° ° ±
>	mm ± ° ° ±

NAME	PLASTIC STRIP ON REEL TYPE (NYLON-INSULATED PS SERIES)			UNIT		
PART NO.	RNYBS2-5-PS	MATERIAL	-----	APPROVE	[Signature]	
NUMBER	KA-96267-C	SCALE	SHEET PAGE	CHECKED	[Signature]	
DATE	2007/02/05	3/1	1-3 10F2	DRAWN	張馨尹	

KST. K.S. TERMINALS INC.