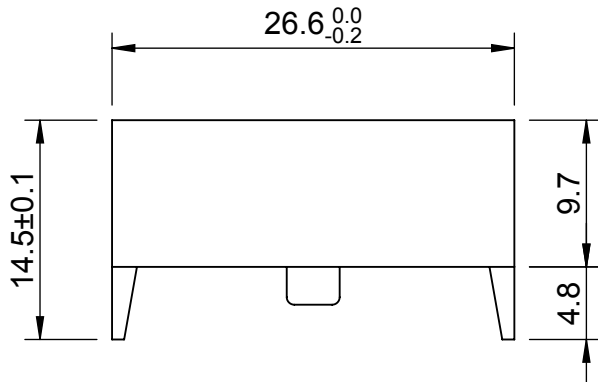
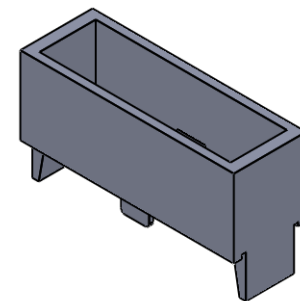
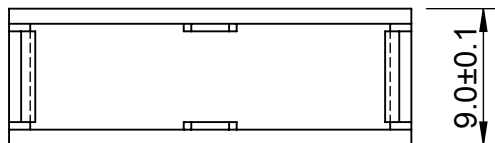


| REV | DESCRIPTION | BY | DATE | CHANGE NO. |
|-----|------------------------------------|-----|------------|------------|
| A | REDRAWN IN SOLIDWORKS; FIRST ISSUE | JVM | 21/04/2016 | ---- |



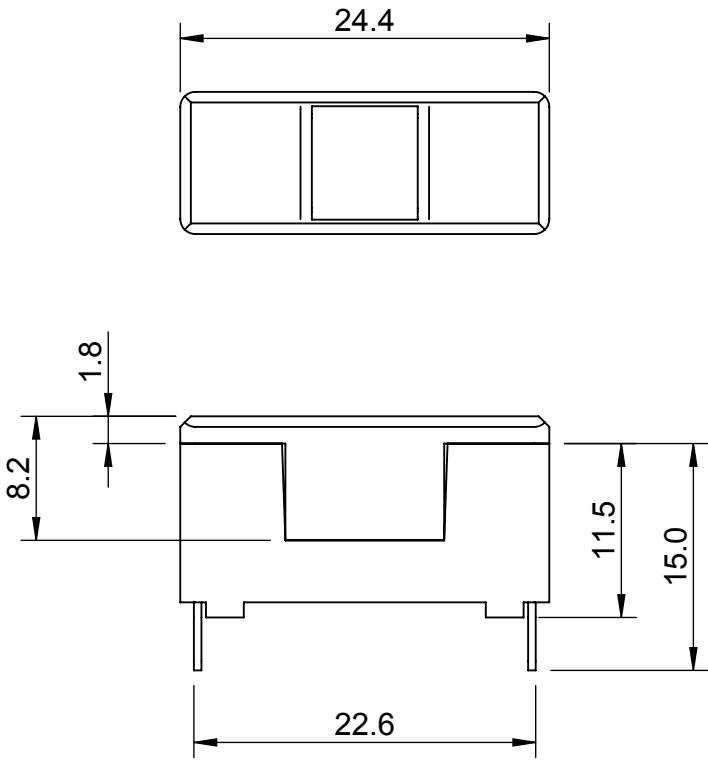
NOTE:
 MATERIAL : ARCOPLEX KOSTIL AF1200
 COLOR: TRANSPARENT.
 FOR USE WITH : HTC-10M
 HTC-15M
 HTC-15MS



| | | | | | | | |
|--|---|---|----------------------------|------------------------------------|--|--|-------------------------|
| MODEL VERSION: 00 MODEL SOURCE FILE: TS-20-10-HTC150M | UNLESS OTHERWISE SPECIFIED, ALL DIMENSIONS ARE IN MILLIMETERS. TOLERANCES UNLESS OTHERWISE SPECIFIED: GENERAL ± 0.4mm ANGULAR ± 1° | TITLE FUSE BLOCK COVER HTC-150M | | | | <i>Powering Business Worldwide</i> | |
| | UNCONTROLLED COPY | DRAWN BY: JVM | DATE: 21/04/2016 | SCALE: NTS | ANGLE: THIRD | | |
| | THIS DRAWING IS CONFIDENTIAL AND THE COPYRIGHT OF EATON AND MUST NOT BE COPIED OR PASSED ON TO A THIRD PARTY WITHOUT WRITTEN CONSENT | MATERIAL: SEE NOTE | FINISH: NONE | | EATON Burton-on-the-Wolds, Leics, LE12 5TH Tel +44 1509 882 600 | | |
| | | | | DWG NO: TS-20-10-HTC150M | | REV: A | SHEET: 1 OF 1 |

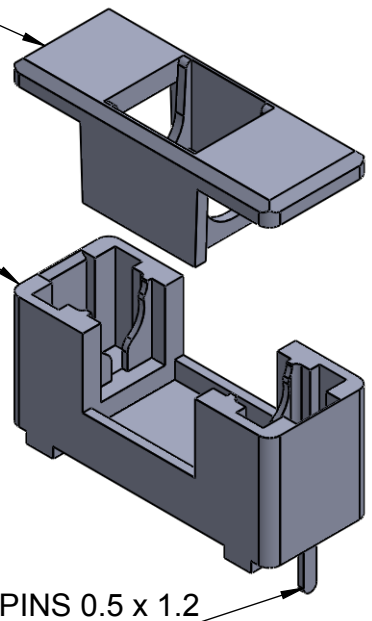
| REV | DESCRIPTION | BY | DATE | CHANGE NO. |
|-----|-----------------------------------|-----|------------|------------|
| A | REDRAWN IN SOLIDWORKS FIRST ISSUE | JVM | 21/04/2016 | --- |

FOR INFORMATION ONLY.
FOR DETAILED DIMENSIONS SEE
INDIVIDUAL INFORMATION SHEETS.

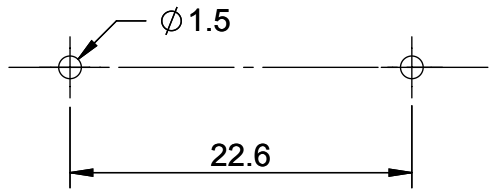


FUSE CARRIER
HTC-160M

FUSE HOLDER
HTC-78M




PIN FOOTPRINT



HTC-100M

PINS 0.5 x 1.2

| | | | | | | | | |
|--|--|--|---|----------------------------|------------------------|-------------------------|---|--|
| MODEL VERSION: 00 TS-20-10-HTC-100M | UNLESS OTHERWISE SPECIFIED, ALL DIMENSIONS ARE IN MILLIMETERS. | | TITLE FUSEHOLDER / FUSE CARRIER SET FOR 20x5 FUSES. | | | |  <i>Powering Business Worldwide</i> | |
| | TOLERANCES UNLESS OTHERWISE SPECIFIED: GENERAL ± 0.4mm ANGULAR ± 1° | | DRAWN BY: JVM | DATE: 21/04/2016 | SCALE: NTS | ANGLE: THIRD | | |
| | UNCONTROLLED COPY | | MATERIAL: VARIOUS | | FINISH: NONE | | EATON Burton-on-the-Wolds, Leics, LE12 5TH Tel +44 1509 882 600 | |
| | THIS DRAWING IS CONFIDENTIAL AND THE COPYRIGHT OF EATON AND MUST NOT BE COPIED OR PASSED ON TO A THIRD PARTY WITHOUT WRITTEN CONSENT | | DWG NO: TS-20-10-HTC-100M | | REV: A | SHEET: 1 OF 1 | | |