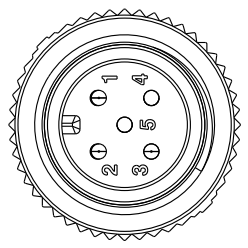
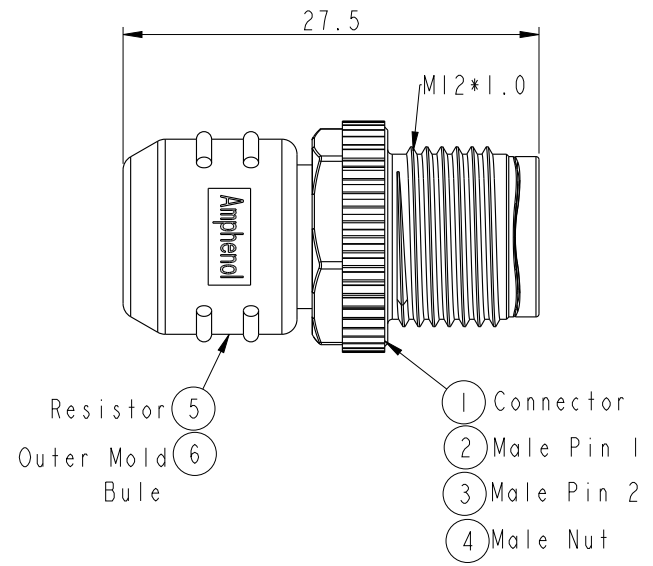
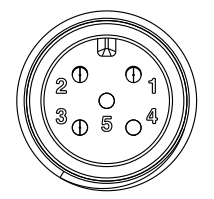
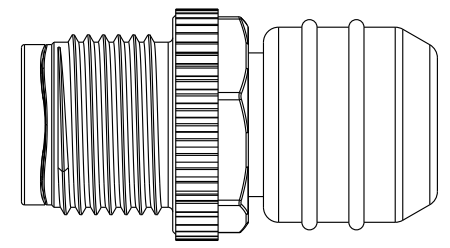


THIS DOCUMENT IS SUBJECT TO CHANGE WITHOUT NOTICE. IT IS CONFIDENTIAL AND A PROPERTY OF Amphenol LTW. DISCLOSURE TO THIRD PARTY HAS TO BE AUTHORIZED BY Amphenol LTW.

REV.	ECN NO.	DATE	SIGN	DESCRIPTION

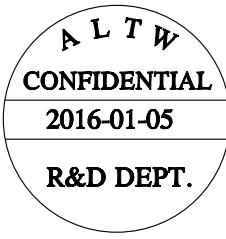


Conn.



Conn.
Pin Assignments
Front View

Resistor	5
	4
Pin Out	Conn.



- Note:
- * \varnothing Important Dimension To Check.
 - * Waterproof Rate: IP68
In 1 meter water within 24 hours
 - * Connector: PU, Black
 - * Nut: PA66, Black
 - * Pin: Copper Alloy, Gold Plated 30u"
 - * Outer Mold: PU, Blue
 - * Resistor: 1/4, 120 Ω , 5% Resistance

UNIT:mm

TOLERANCE $\pm 0.50\text{mm}$

TITLE NMEA2000 Micro-C Terminator Male Connector			
SCALE 2:1	SIZE A4	SHEET 1 OF 1	
REV. A	WC-REV. A.1	QC: Inspection item	

Amphenol LTW
安費諾亮泰企業股份有限公司

ITEM NO. HMCP-05BMMT-SL8001	DRAWN BY Cary	DATE 2016-01-05
DWG NO. HMCP-05BMMT-SL8001	CHECKED BY Yulong	DATE 2016-01-05
CUSTOMER ALTW	APPROVED BY Jerry	DATE 2016-01-05