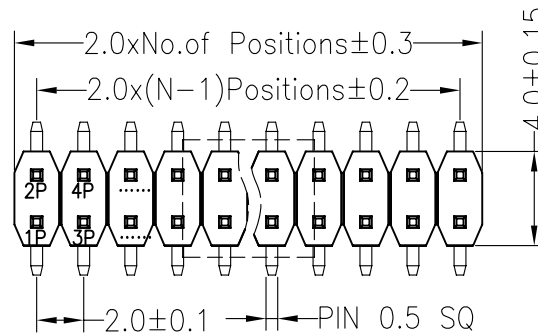


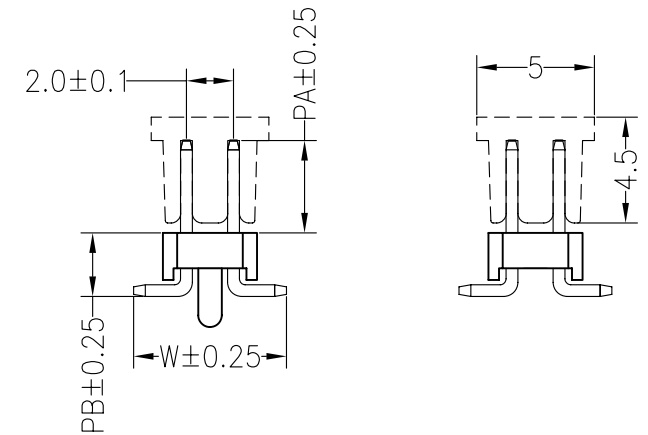
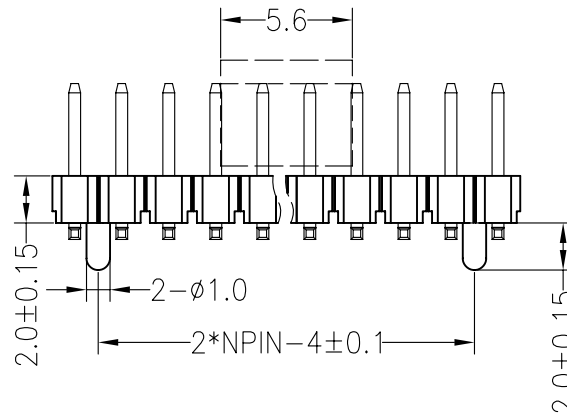
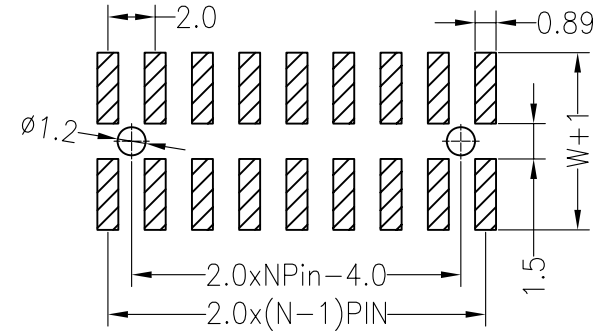
SPECIFICATIONS

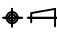
Rated Current:1.5AMP
 Contact Resistance:20mΩ Max
 Withstand Voltage:500V AC/DC
 Insulation Resistance:1000MΩ Min
 Operation Temperature:-40°c to +105°c

Contact Material:Brass
 Contact Plating:Au or Sn Over Ni
 Insulator Material:Polyester(UL94V-0)
 Standard: PA6T
 Max.Processing Temp: 230°C for 30-60 seconds
 (260°C for 5 seconds)



Recommended P.C.B Layout(Top Side)
 (PCB BOARD TOLERANCE±0.05)



				OPERATION		DRAW	YiYuSheng	12.04.11	SCALE	FIT	CONN THERM	
				X.X	±0.30				UNIT	mm		
				X.XX	±0.20	CHECK		SIZE	A4			
A0	2012.04.11	NEW DRAWING		X.XXX	±0.10	APPROVE			SHEET	1/1	PART NO.	PLMTDxxS-JL
REV	DATE	MODIFICATION	DESCRIPTION	CHANGE	DIM				TOL	PROJ.		TITLE:
1	2	3	4	5	6	7	8	9				