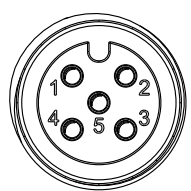
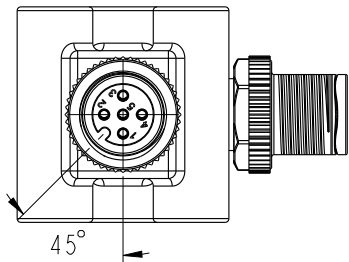
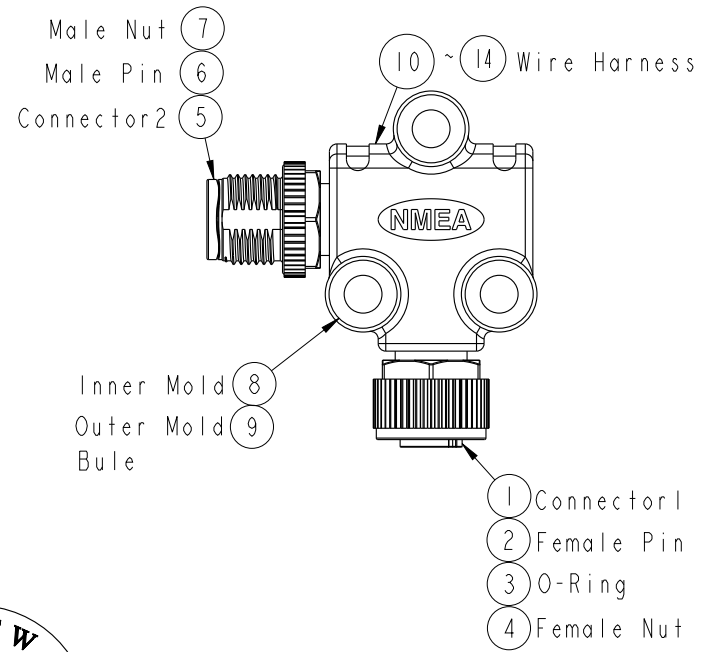
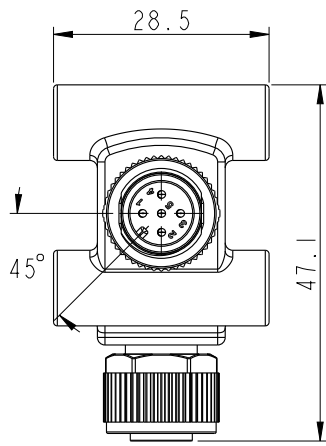
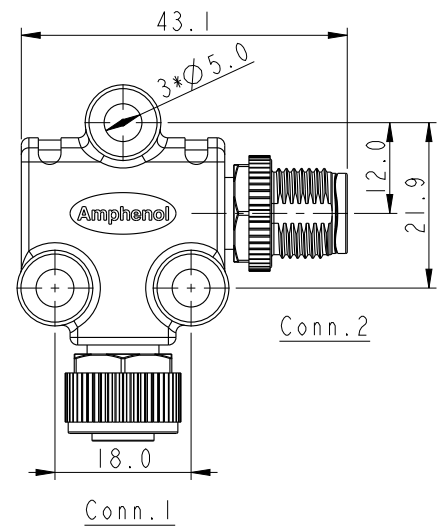
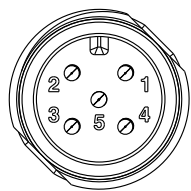


REV.	ECN NO.	DATE	SIGN	DESCRIPTION
A	Initial Release	2017-03-23	Frank Deng	Change Rev.01 To Rev.A
B	LEN1770177	2017-07-03	Frank Deng	Change Note



Conn. 1
Pin Assignments
Front View



Conn. 2
Pin Assignments
Front View

Blue 藍	5	5
White 白	4	4
Black 黑	3	3
Red 紅	2	2
Green 綠	1	1
Wire Color	Conn.1	Conn.2
	Pin Out	

- Note:**
- * \varnothing Important Dimension To Check.
 - * Waterproof Rate: IP68
In 1 meter water within 24 hours
 - * Connector: PU, Black
 - * Nut: Zinc Alloy, Nickel Plated
 - * Pins: Copper Alloy, Gold Plated 30u"
 - * Outer Mold: PU, Blue
 - * Wire Harness: UL1061, 22AWG

UNIT:mm TOLERANCE ±0.50mm		TITLE NMEA2000 Micro-C ELBOW (L-Adapter), Metal		<h1>Amphenol LTW</h1> 安費諾亮泰企業股份有限公司	ITEM NO HMC-000505-0FM-ES001	DRAWN BY Frank Deng	DATE 2017-07-06
		SCALE 1:1	SIZE A4		SHEET 1 OF 1	DWG NO HMC-000505-0FM-ES001	CHECKED BY Fisher Wang
REV. B	WC-REV. A.4	\varnothing : Inspection item		CUSTOMER ALTW	APPROVED BY Kevin Hu	DATE 2017-07-06	

THIS DOCUMENT IS SUBJECT TO CHANGE WITHOUT NOTICE. IT IS CONFIDENTIAL AND A PROPERTY OF Amphenol LTW. DISCLOSURE TO THIRD PARTY HAS TO BE AUTHORIZED BY Amphenol LTW.