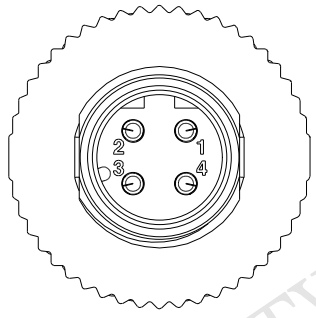
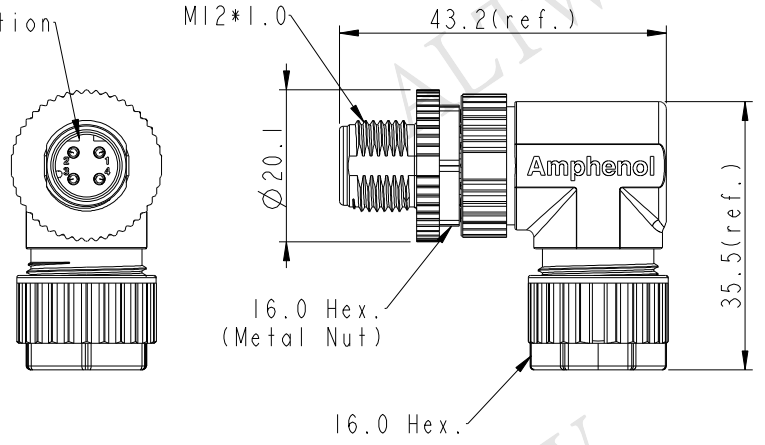
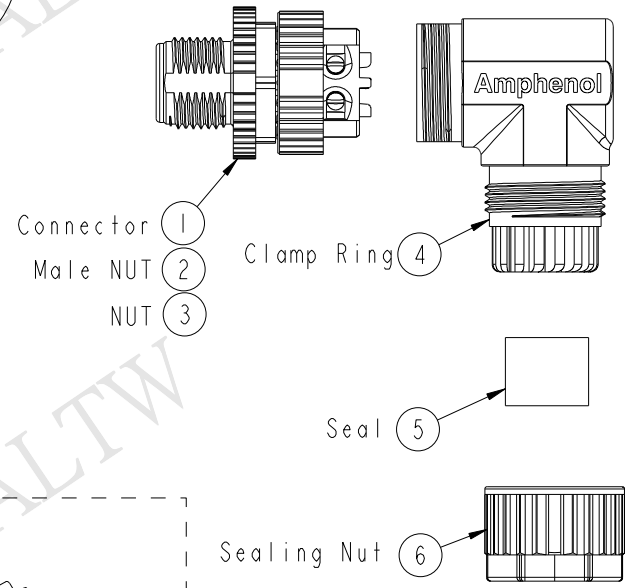


REV.	ECN NO.	DATE	SIGN	DESCRIPTION
A	Initial Release	2015/10/12	Mila	Change Rev. I To Rev.A

ALTW
CONFIDENTIAL
2015-10-12
R&D DEPT.

360° Adjustable Key Code Direction



Pin Assignments
Front View

ALTW
DCC. DEPT.
CONFIDENTIAL
2015.10.28
ISSUED

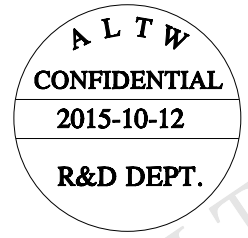
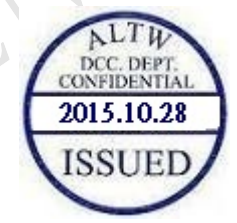
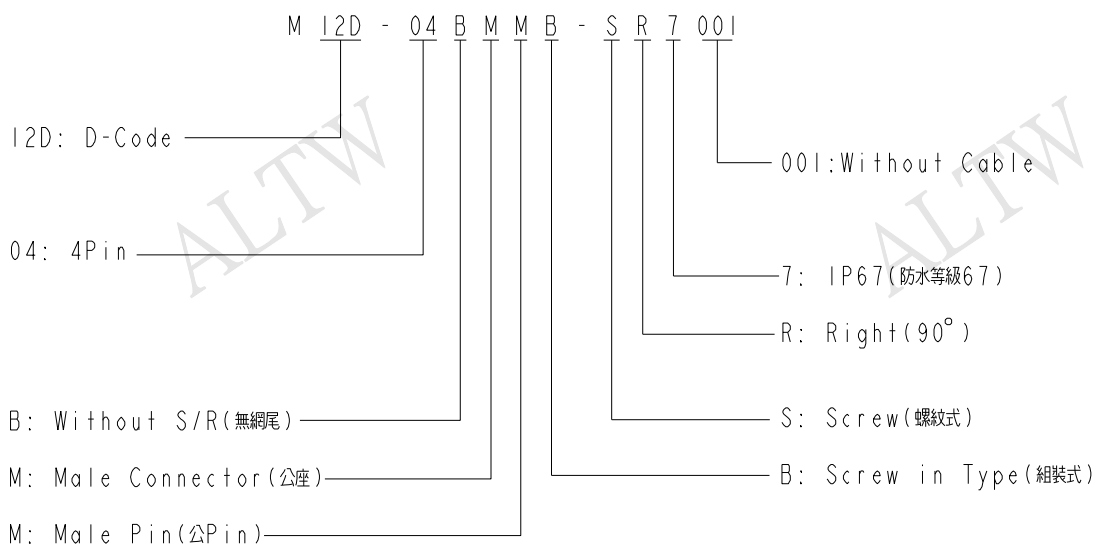
UNIT:mm		
TOLERANCE		
±0.5mm		

TITLE M12 D-Code 90° Unshielded Assy 4Pin M Conn. M Pin			
SCALE 1:1	SIZE A4	SHEET 1 OF 2	
REV. A	WC-REV. A.1	QC: Inspection item	

Amphenol LTW
安費諾亮泰企業股份有限公司

ITEM NO. M12D-04BMMB-SR7001	DRAWN BY Mila	DATE 2015-10-12
DWG NO. M12D-04BMMB-SR7001	CHECKED BY Cary	DATE 2015-10-12
CUSTOMER ALTW	APPROVED BY Jerry	DATE 2015-10-12

THIS DOCUMENT IS SUBJECT TO CHANGE WITHOUT NOTICE. IT IS CONFIDENTIAL AND A PROPERTY OF Amphenol LTW. DISCLOSURE TO THIRD PARTY HAS TO BE AUTHORIZED BY Amphenol LTW.



- Note:
- * QC Important Dimension To Check.
 - * Waterproof Rate: IP67 (Mated)
 - * Housing: Nylon, Black
 - * Male Pin: Copper Alloy, Gold Plated
 - * Male Nut: Zinc Alloy, Nickel Plated
 - * Nut: PBT+PC, Black
 - * O-Ring: Silicon, Grey
 - * Clamp Ring: Nylon, Black
 - * Sealing Nut: PBT+PC, Black
 - * Seal: Silicon, Grey
 - * Seal For Cable OD: $\varnothing 4.0\text{mm} \sim \varnothing 7.0\text{mm}$
 - * Screws for Wire connection recommended tightening torque: 0.61~0.84 kgf.cm / 0.059~0.082 N.m
 - * Applicable Wire gauge (Stranded wire cross section) 0.14mm² (26AWG) ~ 0.82mm² (18AWG)
 - * Mating Recommended tightening torque: 3~4 kgf.cm / 0.29~0.39 N.m
 - * Sealing-Nut Recommended tightening torque: 4~6 kgf.cm / 0.39~0.59 N.m
 - * Detailed applicable wire specifications may vary depending on the actual wire construction.

A	UNIT:mm			TITLE M12 D-Code 90° Unshielded Assy 4Pin M Conn. M Pin		Amphenol LTW 安費諾亮泰企業股份有限公司	ITEM NO	M12D-04BMMB-SR7001	DRAWN BY	Mila	DATE	2015-10-12				
	TOLERANCE $\pm 0.5\text{mm}$			SCALE	1:1		SIZE	A4	SHEET	2	OF	2	CHECKED BY	Cary	DATE	2015-10-12
	REV.	A	WC-REV.	A.1	QC : Inspection item		CUSTOMER	ALTW	APPROVED BY	Jerry	DATE	2015-10-12				