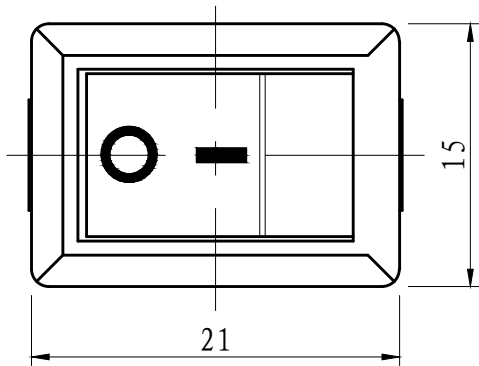
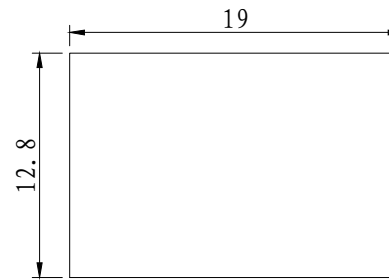


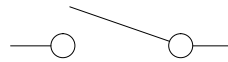
11-KCD1-101A-01



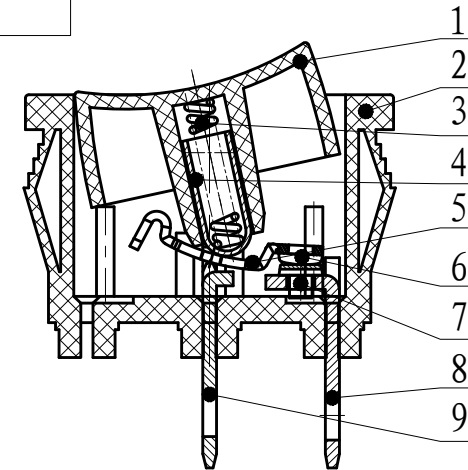
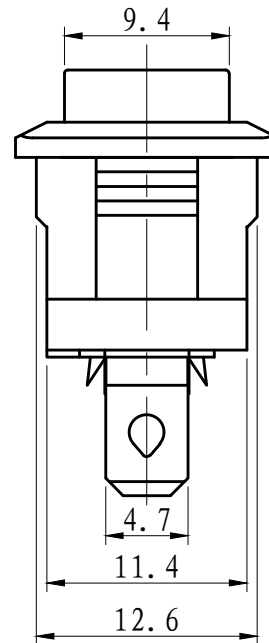
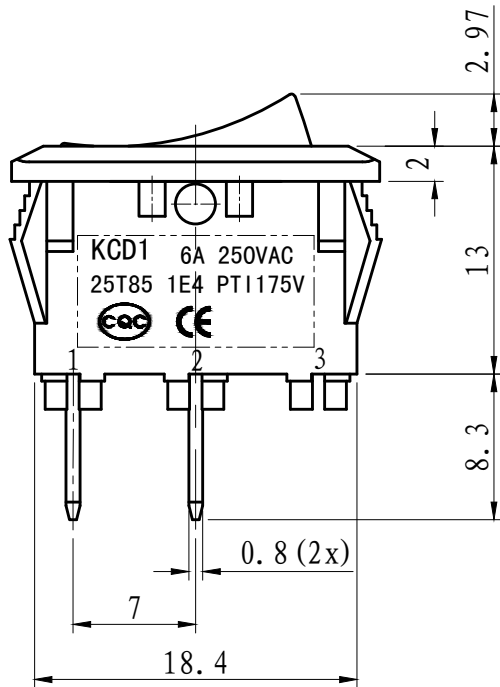
Panel cut - out



CIRCUIT:



| Specifications | | |
|-------------------------|---------------------|------------------|
| Rating | 6A 250VAC | |
| Environment Temperature | -25°C ~ 85°C | |
| Contact Resistance | ≤ 50mΩ | |
| Insulation Resistance | > 100MΩ (at 500VDC) | |
| Voltage proof | Terminal-terminal | 1500V AC/10mA/5s |
| | Terminal-knob | 3000V AC/10mA/5s |
| Electronical life | 10000 Cycles | |
| Operating Force | 4N ~ 6N | |



| NO. | PART NAME | QTY: | MATERIAL | REMARK |
|-----|-------------|------|------------|-----------------|
| 9 | Terminal | 1 | H62 Y2 | Plating: Sliver |
| 8 | Terminal | 1 | H62 Y2 | Plating: Sliver |
| 7 | Contact | 1 | AgCd012/Cu | |
| 6 | Contact | 1 | | |
| 5 | Contact arm | 1 | H62 Y2 | Plating: Sliver |
| 4 | Actuator | 1 | H62 2M | Plating: Nickel |
| 3 | Spring | 1 | T9A | |
| 2 | Housing | 1 | PA66 | Black |
| 1 | Ronb | 1 | PA66 | Black |

NOTE:
TOLERANCE UNLESS OTHERWISE SPECIFIED
X. ± 0.20 .X ± 0.15 .XX ± 0.10

借 (通) 用件登记

旧底图总号

底图总号

签 名

日 期

| 标记 | 处数 | 更改文件号 | 签 名 | 日 期 |
|----|----|-------|-----|-----|
| | | | | |
| 设计 | | | | |
| 审核 | | | | |
| 工艺 | | | | |

| | | | | |
|-----------------|----|-------|--|-----------------|
| Product drawing | | | ZHEJIANG JIALONG ELECTRON CO., LTD | |
| | | | | |
| 投影 | 版次 | 重量 | 比例 | 11-KCD1-101A-01 |
| ⊕ | A0 | | 2.5:1 (A4) | |
| 共 1 页 | | 第 1 页 | | |