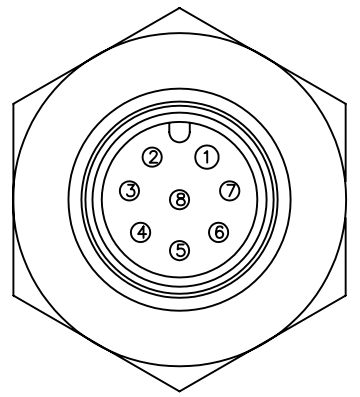
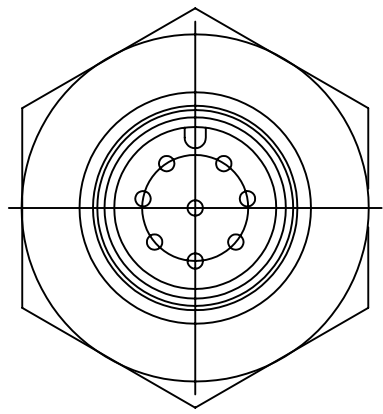
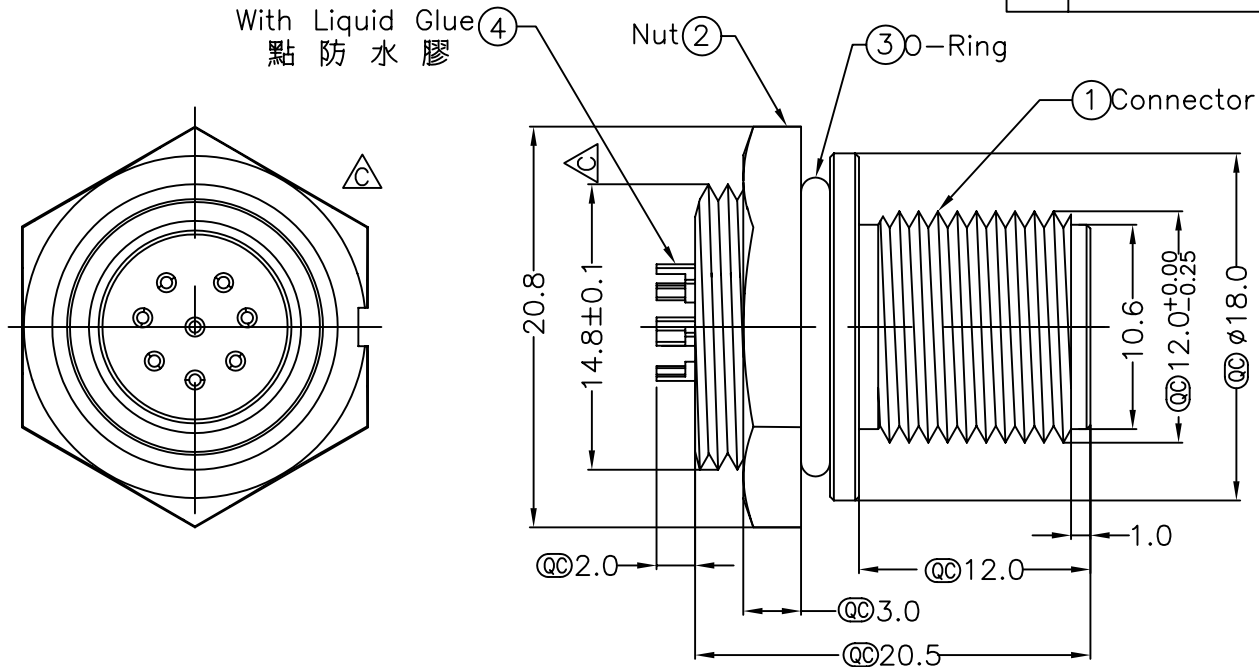
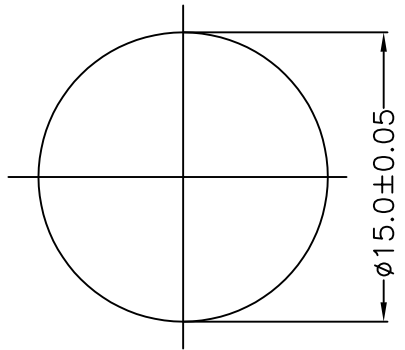


REV.	ECN NO.	DATE	SIGN	DESCRIPTION
C	LE3-980102	2009/08/11	Li Xiu Zhi	Change View & Update Drawing

THIS DOCUMENT IS SUBJECT TO CHANGE WITHOUT NOTICE. IT IS CONFIDENTIAL AND A PROPERTY OF LTW. DISCLOSURE TO THIRD PARTY HAS TO BE AUTHORIZED BY LTW.



PIN ASSIGNMENTS
FRONT VIEW 前視圖



RECOMMENDED PANEL CUT-OUT



- Note:
- * Ⓞ Important Dimension.
 - △* Connector: Nylon+GF, Black
 - △* Nut: Nylon+GF, Black
 - * O-Ring: EPDM, Black
 - * Liquid Glue: Clear
 - △* For Panel Thickness Max 2.2mm

UNIT:mm		TITLE M12.0 8Pin Female Sensor Connector			SHEET 1 OF 1	:Inspection Item		ITEM NO LTWM12P-08PMMS-SC	DRAWN BY Li Xiu Zhi	DATE 2009/08/11
		DWG NO LTWM12P-08PMMS-SC	CHECKED BY Sunny					DATE 2009/08/22		
TOLERANCE .X ±0.25 .XX ±0.1 .XXX ±0.05 ANGLES ±1°		SCALE Free						CUSTOMER	APPROVED BY Luke	DATE 2009/08/25

亮泰企業股份有限公司