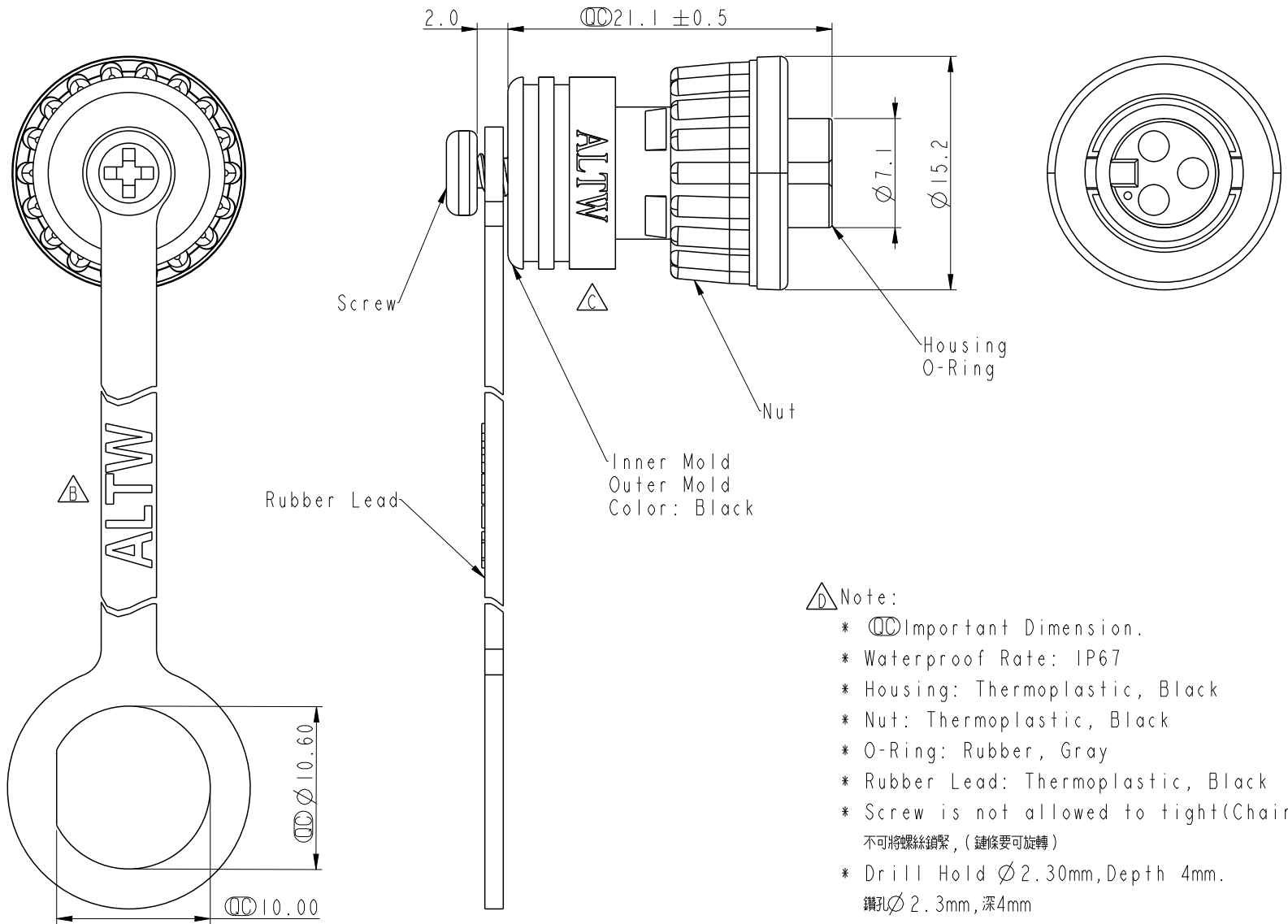


THIS DOCUMENT IS SUBJECT TO CHANGE WITHOUT NOTICE. IT IS CONFIDENTIAL AND A PROPERTY OF AMPHENOL LTW. DISCLOSURE TO THIRD PARTY HAS TO BE AUTHORIZED BY AMPHENOL LTW.

REV.	ECN NO.	DATE	SIGN	DESCRIPTION
B	LEN14B0188	2014/11/10	Ruru	Change Logo LTW To ALTW
C	LEN1530066	2015/02/12	Ruru	Change Logo
D	CI91100	2019/07/08	Eagle	$\triangle D$ x1



- $\triangle D$ Note:
- * ⌀ Important Dimension.
 - * Waterproof Rate: IP67
 - * Housing: Thermoplastic, Black
 - * Nut: Thermoplastic, Black
 - * O-Ring: Rubber, Gray
 - * Rubber Lead: Thermoplastic, Black
 - * Screw is not allowed to tight (Chain be revolve)
不可將螺絲鎖緊, (鏈條要可旋轉)
 - * Drill Hold $\text{⌀} 2.30\text{mm}$, Depth 4mm.
鑽孔 $\text{⌀} 2.3\text{mm}$, 深 4mm

UNIT: mm		
TOLERANCE		
.X	± 0.25	
.XX	± 0.1	
.XXX	± 0.05	
ANGLES	$\pm 1^\circ$	

TITLE S ACC, CERES, CAP WP CAP, 2LOCK, W/RB LEAD			
SCALE 5:2	SIZE A4	SHEET 1 OF 1	
REV. D	WC-REV. A.1	⌀ : Inspection item	

Amphenol LTW
安費諾亮泰企業股份有限公司

ITEM NO CAP-WAAMLPC3	DRAWN BY Eagle	DATE 2019-07-08
DWG NO CAP-WAAMLPC3	CHECKED BY Brady	DATE 2019-07-08
CUSTOMER ALTW	APPROVED BY Neo	DATE 2019-07-08