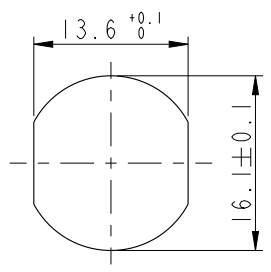
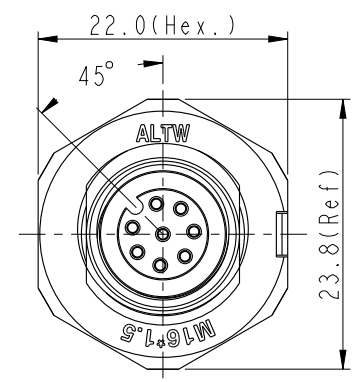
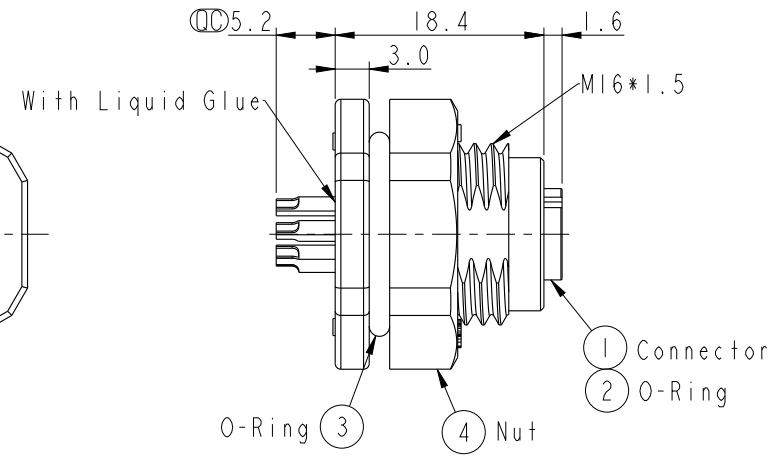
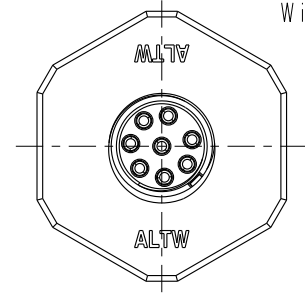


THIS DOCUMENT IS SUBJECT TO CHANGE WITHOUT NOTICE. IT IS CONFIDENTIAL AND A PROPERTY OF AMPHENOL LTW. DISCLOSURE TO THIRD PARTY HAS TO BE AUTHORIZED BY AMPHENOL LTW.

REV.	ECN NO.	DATE	SIGN	DESCRIPTION



Recommended Panel Cut-Out



M SAP - XX P F F S - S F 8 002

SAP: A-Code Plastic

03: 3Pin
04: 4Pin
05: 5Pin
08: 8Pin

P: Panel (板端)

F: Female Connector (母座)

002: M16*1.5

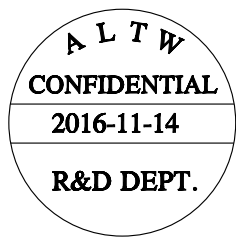
8: IP68 (防水等級68)

F: Front Fasten (前鎖式/Enclosure Rear Mount)

S: Screw (螺紋式)

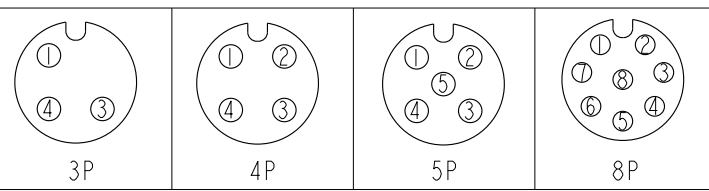
S: Solder Type (焊接式)

F: Female Pin (母Pin)



Note:

- * \varnothing Important Dimension To Check
- * Waterproof Tate: IP68 (水深1米, 24hrs)
- * Connector: Nylon+GF, 94V-0, Black
- * Female Pin: Copper Alloy, Gold Plated
- * Shield: Nylon+GF, 94V-0, Black
- * Nut: Nylon+GF, 94V-0, Black
- * Rated Voltage: 3 & 4Pin 250V dc. or ac.
5Pin 60V dc. or ac.
8Pin 30V dc. or ac.
- * Rated Current: 3~5Pin 4A
8Pin 2A
- * O-Ring (Inner): Silicone, Gray, 94V-0
- * O-Ring (Outer): Silicone, Gray, 94V-0
- * For panel Thickness Max 4.9mm



Pin Assignment Front View

M12A-03PMMS-SF8002
M12A-04PMMS-SF8002
M12A-05PMMS-SF8002
M12A-08PMMS-SF8002

Item No.

UNIT: mm			TITLE M12 A-Code Female Conn. Solder Front Type (Plastic)
TOLERANCE .X ±0.25 .XX ±0.1 .XXX ±0.05 ANGLES ±1°	SCALE 3:2	SIZE A4	SHEET 1 OF 1
REV. A	WC-REV. A.1	QC: Inspection item	

Amphenol LTW
安費諾亮泰企業股份有限公司

ITEM NO.	DRAWN BY Yulong_wang	DATE 2016-11-14
DWG NO. MSAP-XXPFFS-SF8002	CHECKED BY Jinhai	DATE 2016-11-14
CUSTOMER ALTW	APPROVED BY Jerry	DATE 2016-11-14