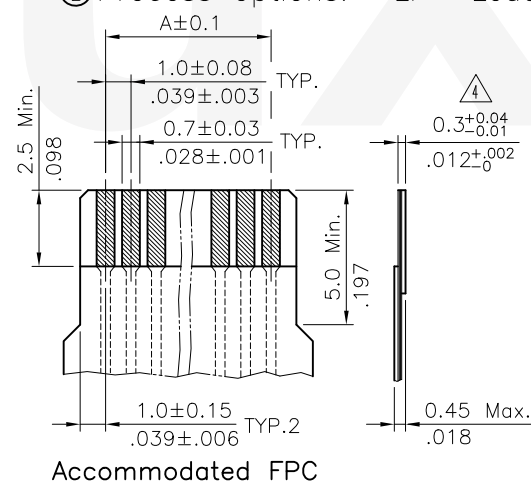
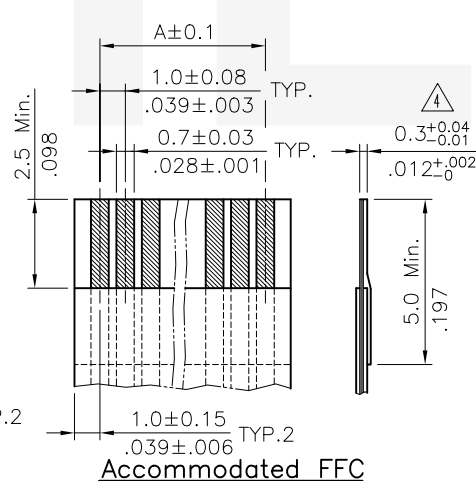
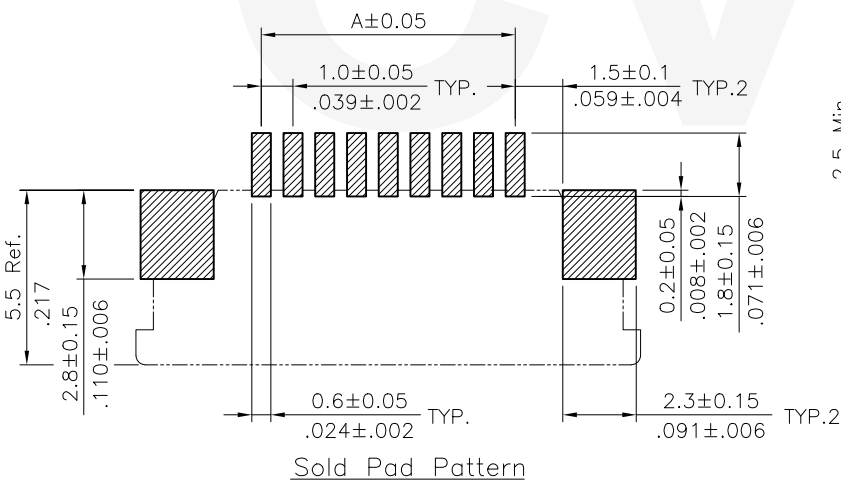
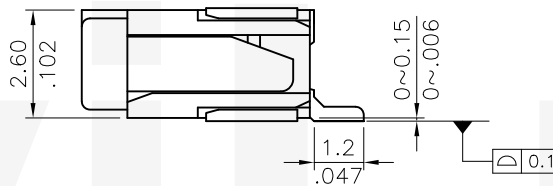
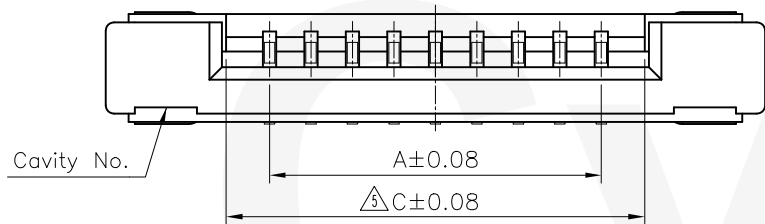
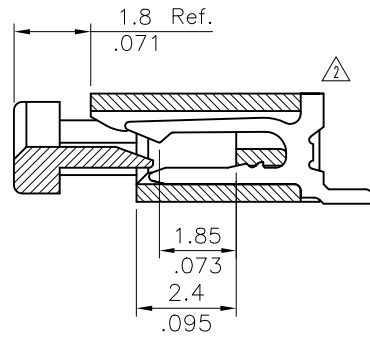


$A = 1.00 * \text{No. of Spaces}$   
 $B = A + 8.0$   
 $C = A + 2.1$   
 \* Available in 4 through 32 circuits



Material :  
 \* Body : High Temperature plastic UL 94V-0  
 \* Slider : High Temperature plastic UL 94V-0  
 Color Black  
 \* Contact : Copper Alloy  
 \* Fixed tab : Copper Alloy with Matte Tin plated

Ordering Code

CF07 \*\* 1 U 0 \* 0 -LF  
 ① ② ③ ④ ⑤ ⑥ ⑦ ⑧

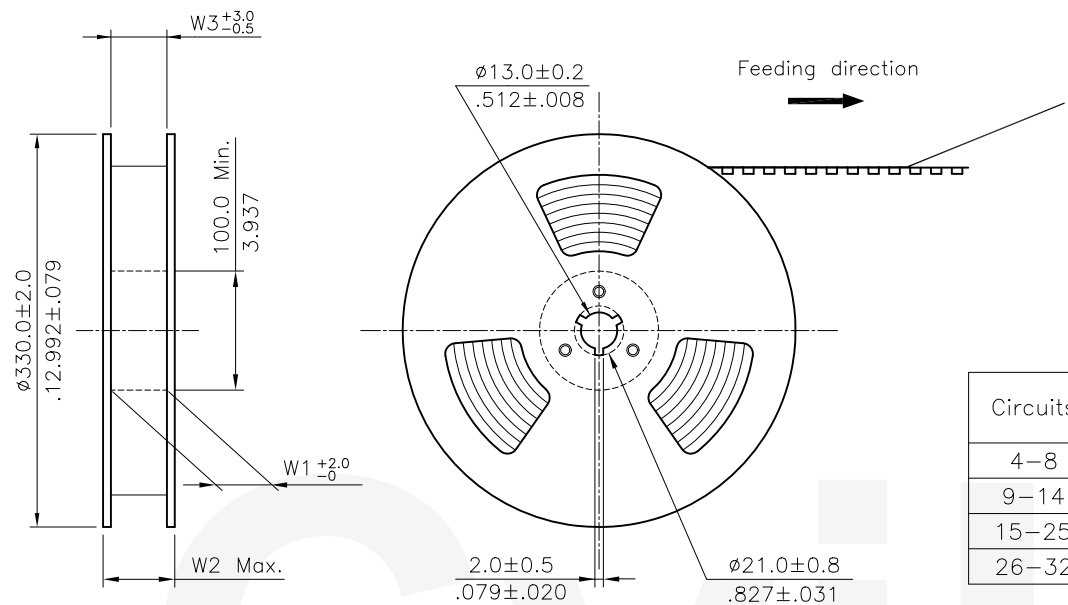
- ① Series No.
- ② No. of Circuits
- ③ Plating code:  
 1 = Matte Tin plated over Nickel  
 2 = Gold flash plated over 50μ"min. Nickel
- ④ Contact style: U = Upside Contact
- ⑤ Color: 0 = Nature
- ⑥ Packing options: R = Tape & Reel  
 T = Tube Packing
- ⑦ Other options: 0 = Standard
- ⑧ Process options: -LF = Lead Free IR Process

Lead Free Process

RoHS Compliant

⑦	Enya	10/18-13'	ECNT113069		DATE	UNIT: mm / inch	TITLE: 1.00mm(.039") ZIF FPC/FFC UPSIDE CONTACT SURFACE MOUNT CONNECTOR	瀚荃股份有限公司 CviLux Corporation
⑥	Sun	9/10-08'	ECR08047-2/ECN08398	DRAWN BY: Enya	10/18-13'	TOLERANCE UNLESS OTHERWISE SPECIFIED	MATERIAL:	
⑤	Sun	5/13-08'	ECN07211	ENGINEER: Sun	10/22-13'	.X ± 0.15/0.06 X' ± 1'	FINISH:	DRAWING NO. CF0722SH
④	Sandy	9/19-07'	ECN07381/ECR07065-1	CHECKED BY: Eisley	10/24-13'	.XX ± 0.10/0.04 X' ±		PART NO. CF07**1U0*0-LF
SYM	NAME	DATE	REVISIONS	APPROVED BY: Eisley	10/24-13'	.XXX ± 0.05/0.02 X' ±	SCALE 5 / 1	SHEET 1 OF 2

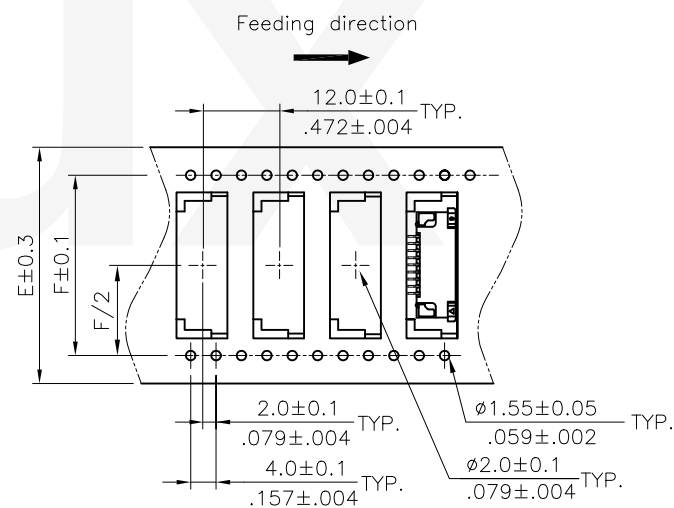
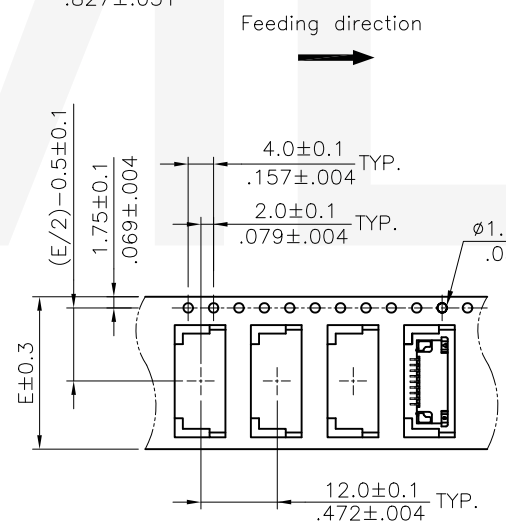
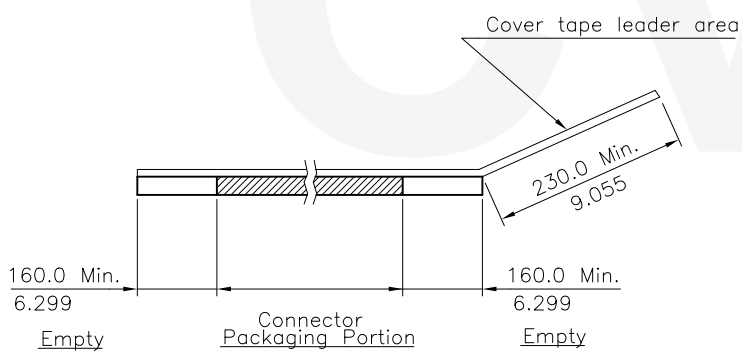
CVILUX CORP  
 2013.11.07  
 ISSUED



NOTE :

1. 10 sprocket hole pitch cumulative tolerance  $\pm 0.20$
2. Carrier camber is within 1 mm in 100 mm .
3. Material : Transparent Conductive Polystyrene Alloy (UP-5000) 100% recyclable.
4. All dimensions meet EIA-481-3 requirements.
5. Thickness :  $0.33 \pm 0.03$  mm.
- 6 Packing length per 22" reel : 75.0 Meters.
7. Component load per 13" reel : 2000 pcs.

Circuits	Dimension				
	E	F	W1	W2	W3
4-8	24.0(.945)	-	24.5(.965)	30.5(1.201)	24.5(.965)
9-14	32.0(1.260)	28.40(1.118)	32.5(1.280)	38.5(1.516)	32.5(1.280)
15-25	44.0(1.732)	40.40(1.596)	44.5(1.752)	50.5(1.988)	44.5(1.752)
26-32	56.0(2.205)	52.40(2.062)	56.5(2.224)	62.5(2.460)	56.5(2.224)



7 WIDTH : 24 mm Carrier

WIDTH : 32,44,56 mm Carrier

RoHS Compliant

7	Enya	10/18-13	ECNT113069		DATE	UNIT: mm / inch	TITLE: 1.00mm(.039") ZIF FPC/FFC UPSIDE CONTACT SURFACE MOUNT CONNECTOR	瀚荃股份有限公司 CviLux Corporation
6	Sun	9/10-08	ECR08047-2/ECN08398	DRAWN BY: Enya	10/18-13	TOLERANCE UNLESS OTHERWISE SPECIFIED	MATERIAL:	
5	Sun	5/13-08	ECN07211	ENGINEER: Sun	10/22-13	.X ±	.X' ± '1	DRAWING NO. CF0722SH PART NO. CF07**1U0*0-LF
4	Sandy	9/19-07	ECN07381/ECR07065-1	CHECKED BY: Eisley	10/24-13	.XX ±	.X ±	
SYM	NAME	DATE	REVISIONS	APPROVED BY: Eisley	10/24-13	.XXX ±	.XX ±	SCALE SHEET 2 OF 2

CIVILUX CORP  
 2013.11.07  
 ISSUED