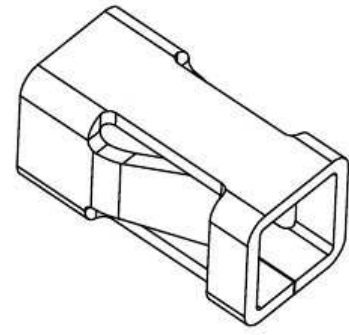
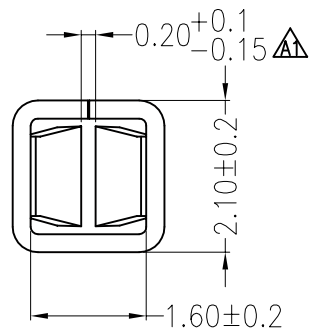
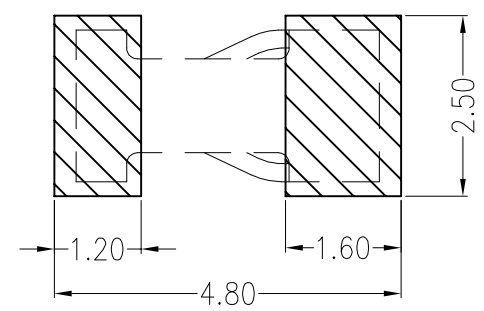
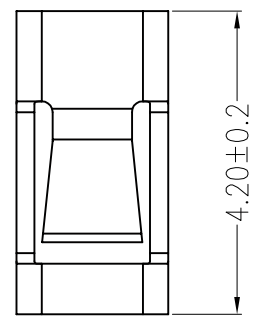
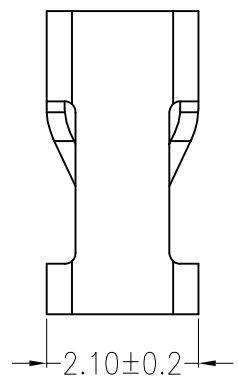


REV	DESCRIPTION	DESIGN	DATE
A0	Release	吴丹平	2016.04.30
A/1	因客户反馈插入力较大, 现对簧片开口尺寸做调整	曾令青	2018.08.22

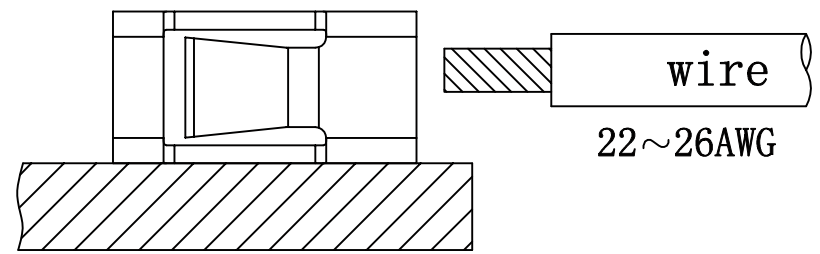


主要技术参数 Main Specifications

- 线数 (Poles): 01
- 接触电阻 (Contact resistance): $\leq 20m\Omega$
- 绝缘电阻 (Insulation resistance):
- 额定电压 (Rated voltage): 250 V AC DC
- 额定电流 (Rated current): 2.0A AC DC
- 耐电压 (Withstand Voltage):
- 温度范围 (Temperature Range):



Board Layout



Assembly Layout

ITEM	COMPONENT	Q'TY	MATERIAL	FINISH
A	CONTACT	1 PCS	PhosphorBronze	MATTE Sn-plated
LEDsconn				TITLE: --
X.±0.5	X.±5'	USE: CUSTOMER	PART NO.:	
.X±0.3	.X±2'	APPD: 邵敬和	DWG NO.:	
.XX±0.25	.XX±1'	CHKD: 田峰	SCALE 1 : 1	
--	--	DR: 蒋建银	SHEET 1 / 1	
UNITS: mm				