

## ProLight PBSG-1FLA-C 1W UVC LEDs

### Applications

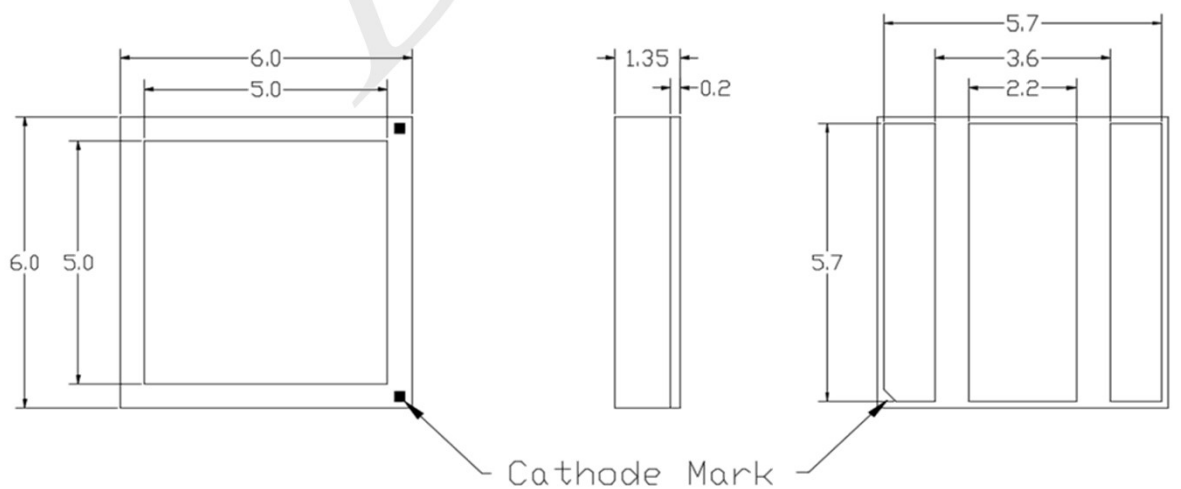
- Disinfection, Phototherapy
- Counterfeit Detectors

### Characteristics, $T_j = 25^\circ\text{C}$

DC Forward Current (mA)	Typ. Forward Voltage (V)	Typical Radiometric Power(mW)	Typical Peak Wavelength(nm)
100	7.0	10	278

Max. DC Forward Current (mA)	Typ. Forward Voltage (V)	Typical Radiometric Power(mW)	Typical Peak Wavelength(nm)
150	7.3	14	278

### Mechanical Dimensions(mm)



Top View

Side View

Bottom View