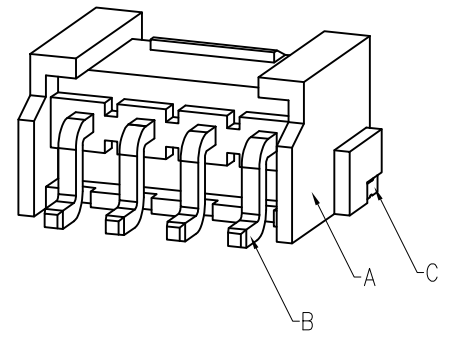
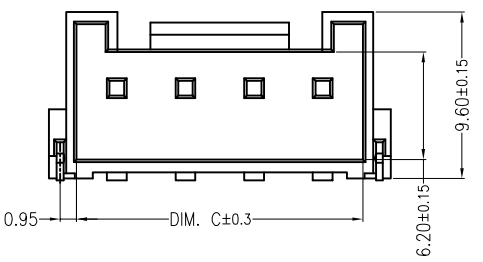
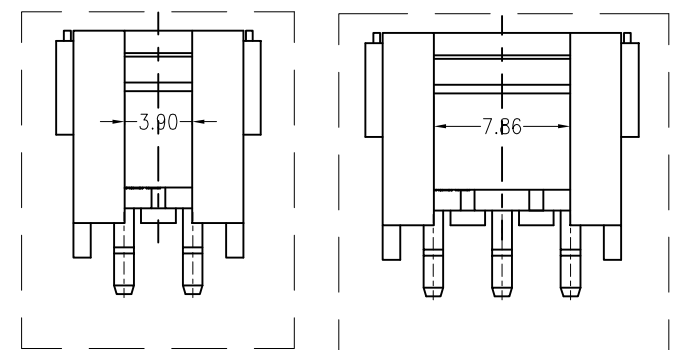
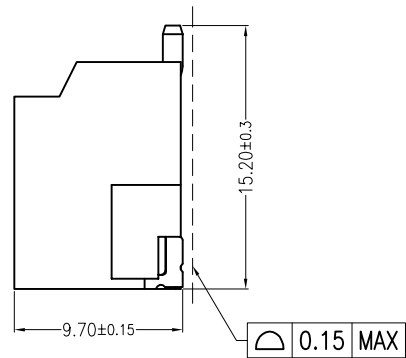
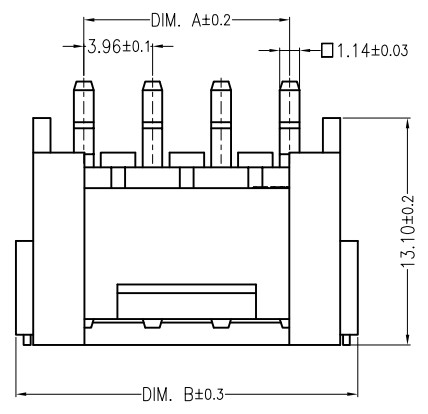
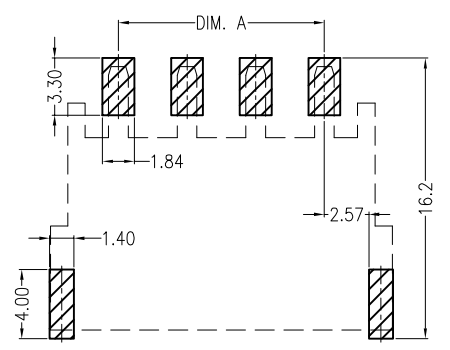


REV	DESCRIPTION	DESIGN	DATE
A0	Release		2017.08.22



主要技术参数 Main Specifications

- 线 数 (Poles): 02 to 16
- 接触电阻 (Contact resistance): $\leq 20m\Omega$
- 绝缘电阻 (Insulation resistance): $\geq 1000M\Omega$
- 额定电压 (Rated voltage): 250V AC DC
- 额定电流 (Rated current): 7.0A AC DC
- 耐电压 (Withstand Voltage): 1500V AC/minute
- 温度范围 (Temperature Range): $-25^{\circ}C \sim +105^{\circ}C$



Mating PCB detail

Circuits	Dimensions (mm)		
	DIM. A	DIM. B	DIM. C
02	3.96	11.88	8.60
03	7.92	15.84	12.56
04	11.88	19.80	16.52
05	15.84	23.76	20.48
06	19.80	27.72	24.44
07	23.76	31.68	28.40
08	27.72	35.64	32.36
09	31.68	39.60	36.32
10	35.64	43.56	40.28

ITEM	COMPONENT	Q'TY	MATERIAL	FINISH
C	SOLDER TAB	2PCS	Brass	Sn-plated
B	CONTACT	02~10PCS	Brass	Sn-plated
A	PEDESTAL	1 PCS	PA9T	UL 94V-0, COLOR:BEIGE

LEDsconn			TITLE: -	
			3.96mmPITCH 90°WAFER SMT TYEP	
X.±0.5	X.±5'	USE: CUSTOMER	PART NO.:	
.X±0.3	.X±2'		APPD:	DWG NO.:
.XX±0.25	.XX±1'	CHKD:	SCALE	
--	--	DR:	1 : 1	SHEET
UNITS: mm		1 / 1		