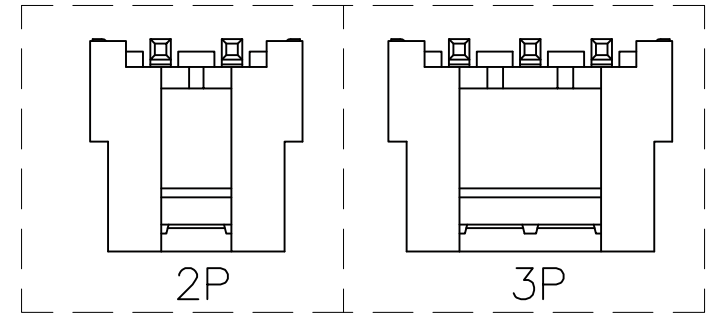
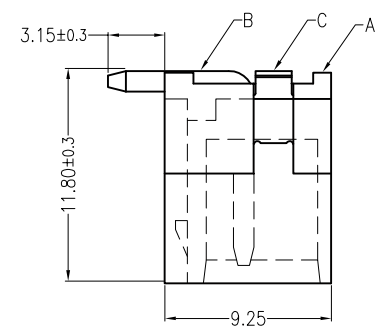
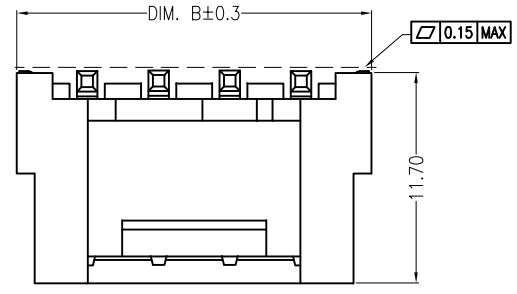
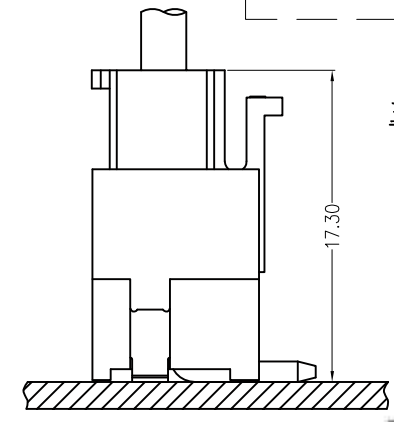
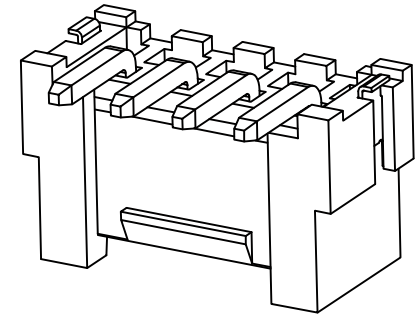
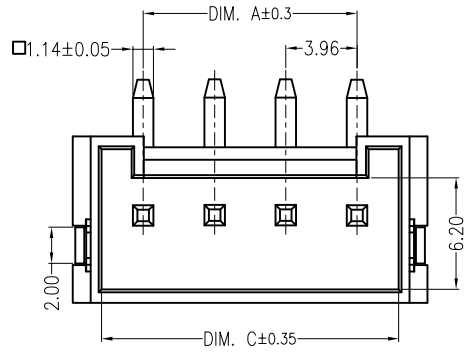


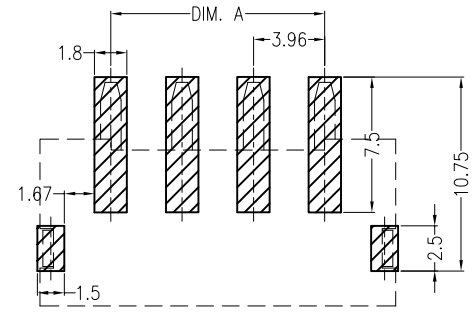
REV	ECN No.	DESCRIPTION	DESIGN	DATE
A0		Release	吴丹平	2014.09.27



主要技术参数 Main Specifications
 线数 (Poles): 02 to 16
 接触电阻 (Contact resistance): $\leq 20m\Omega$
 绝缘电阻 (Insulation resistance): $\geq 1000M\Omega$
 额定电压 (Rated voltage): 250V AC DC
 额定电流 (Rated current): 7.0A AC DC
 耐电压 (Withstand Voltage): 1500V AC/minute
 温度范围 (Temperature Range): $-25^{\circ}C \sim +105^{\circ}C$



Assembly Layout



Mating PCB detail

Circuits	Dimensions (mm)		
	DIM. A	DIM. B	DIM. C
02	3.96	11.88	8.60
03	7.92	15.84	12.56
04	11.88	19.80	16.52
05	15.84	23.76	20.48
06	19.80	27.72	24.44
07	23.76	31.68	28.40
08	27.72	35.64	32.36
09	31.68	39.60	36.32
10	35.64	43.56	40.28
11	39.60	47.52	44.24
12	43.56	51.48	48.20
13	47.52	55.44	52.16
14	51.48	59.40	56.12
15	55.44	63.36	60.08
16	59.40	67.32	64.04

C	SOLDER TAB	2 PCS	PhosphorBronze	Sn-plated
B	CONTACT	2~16 PCS	Brass	Sn-plated
A	PEDESTAL	1 PCS	PA9T	UL 94V-0, COLOR:BEIGE
ITEM	COMPONENT	Q'TY	MATERIAL	FINISH

LEDsconn			TITLE: 3.96mmPITCH 180°WAFER SMT TYPE	
			PART NO.:	
X.±0.5 X.±5° .X±0.3 .X±2° .XX±0.25 .XX±1°			USE: CUSTOMER	
			APPD:	
-- --			CHKD:	
			DR:	
UNITS: mm			SCALE 1 : 1	SHEET 1 / 1