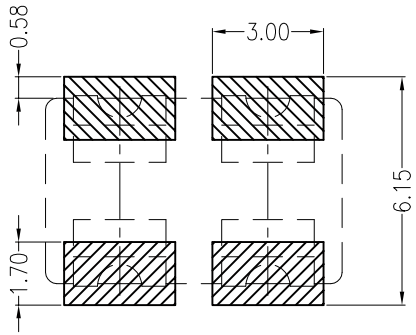
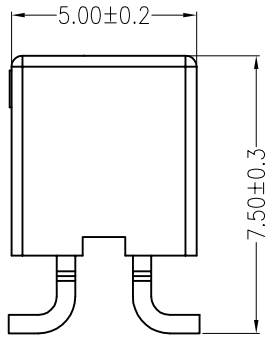
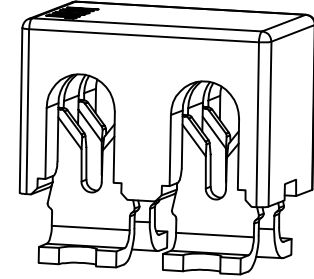
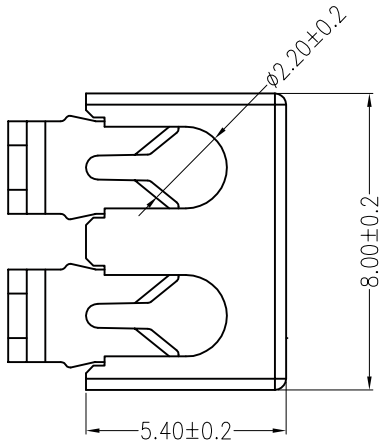
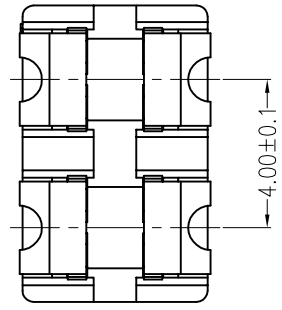


A B C D

E F

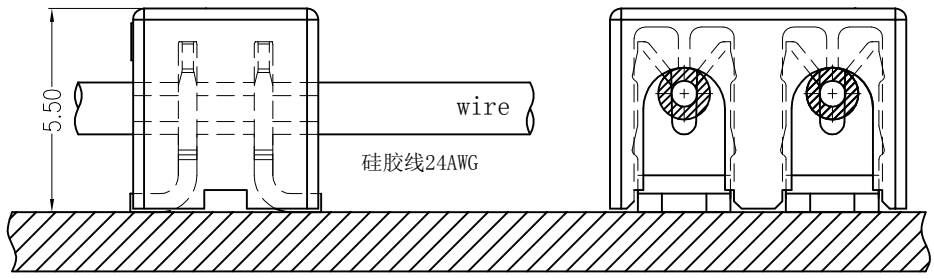
REV	DESCRIPTION	DESIGN	DATE
A	Release		2016.01.15
-	-		-



Board Layout

主要技术参数 Main Specifications

- 线 数 (Poles): 01 to 03
- 接触电阻 (Contact resistance): $\leq 20m\Omega$
- 绝缘电阻 (Insulation resistance): $\geq 800M\Omega$
- 额定电压 (Rated voltage): 250V AC DC
- 额定电流 (Rated current): 2.0A AC DC
- 耐 电压 (Withstand Voltage): 1500V AC/minute
- 温度范围 (Temperature Range): $-40^{\circ}C \sim +120^{\circ}C$



Assembly Layout

C				
B	CONTACT	4 PCS	Brass	MATTE Sn -plated
A	HOUSING	1 PCS	LCP	UL 94V-0, COLOR:BEIGE
ITEM	COMPONENT	Q'TY	MATERIAL	FINISH

LEDsconn			TIT E:
X.±0.35	X.±	USE:	4.0mm PITCH 180° WAFER SMT TYPE
.X±0.25	.X±	MANUFACTURE	PART NO.:
.XX±0.15	.XX±	APPD:	DWG NO.:
--	--	邵敬和	
⊕	◁	CHKD:	
		田峰	
		DR:	SCALE
		蒋建银	1 : 1
		UNITS: mm	SHEET
			1 / 1

A B C D

E F

1
2
3
4
5

1
2
3
4