

A

B

C

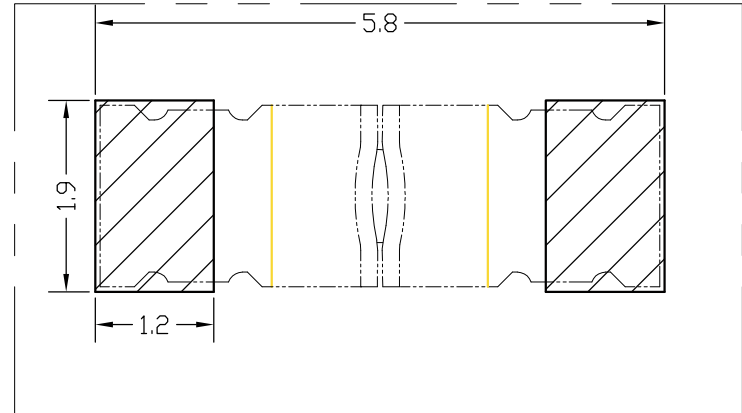
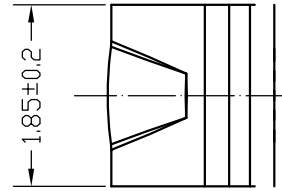
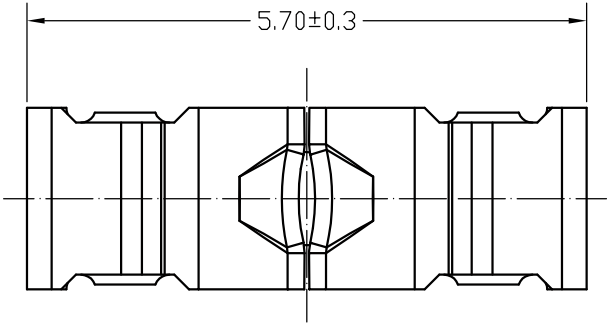
D

E

F

REV	ECN No.	DESCRIPTION	DESIGN	DATE
A0		Release	蒋建银	2017.03.23

1



1

2

2

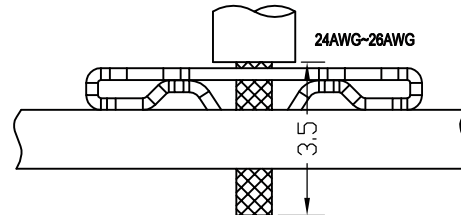
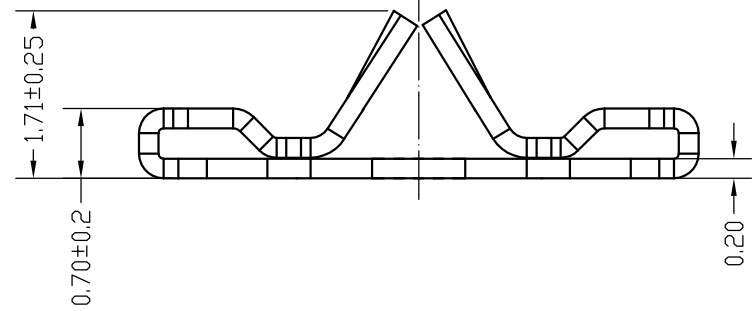
PCB LAYOUT

主要技术参数 Main Specifications

- 线 数 (Poles): 01
- 接触电阻 (Contact resistance): ≤30mΩ
- 额定电压 (Rated voltage): 275V AC DC
- 额定电流 (Rated current): 1.0A AC DC
- 温度范围 (Temperature Range): -40℃~ +125℃

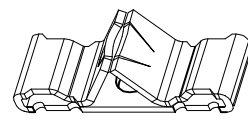
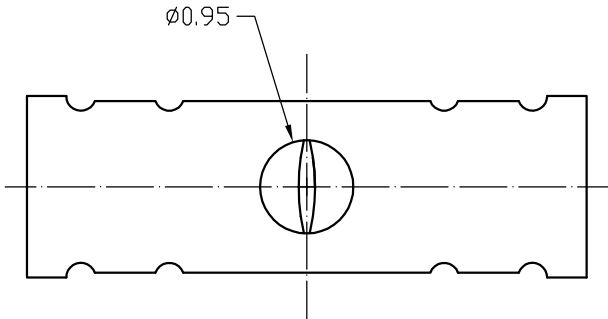
3

3



4

4



5

5

ITEM	COMPONENT	Q'TY	MATERIAL	FINISH
A	CONTACT	1 PCS	PhosphorBronze	MATTE Sn-plated
LEDsconn				TITLE:
X.±0.5	X.±5'	USE:	CUSTOMER	
.X±0.3	.X±2'	APPD:	邵敬和	
.XX±0.25	.XX±1'	CHKD:	田峰	
--	--	DR:	蒋建银	
UNITS: mm		SCALE	SHEET	
		1 : 1	1 / 1	

A

B

C

D

E

F