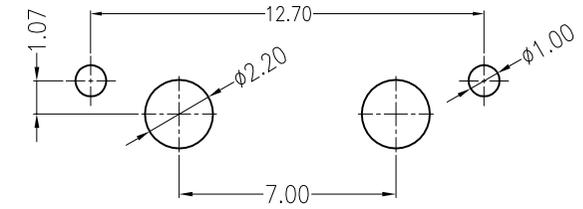


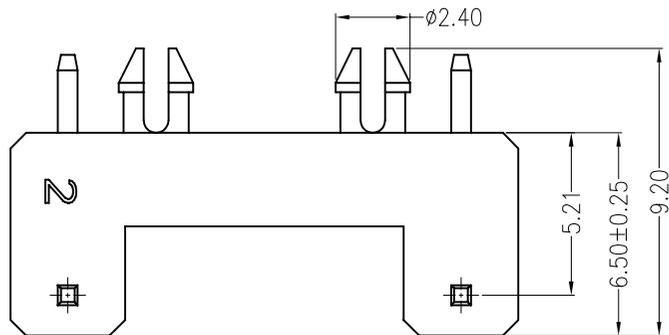
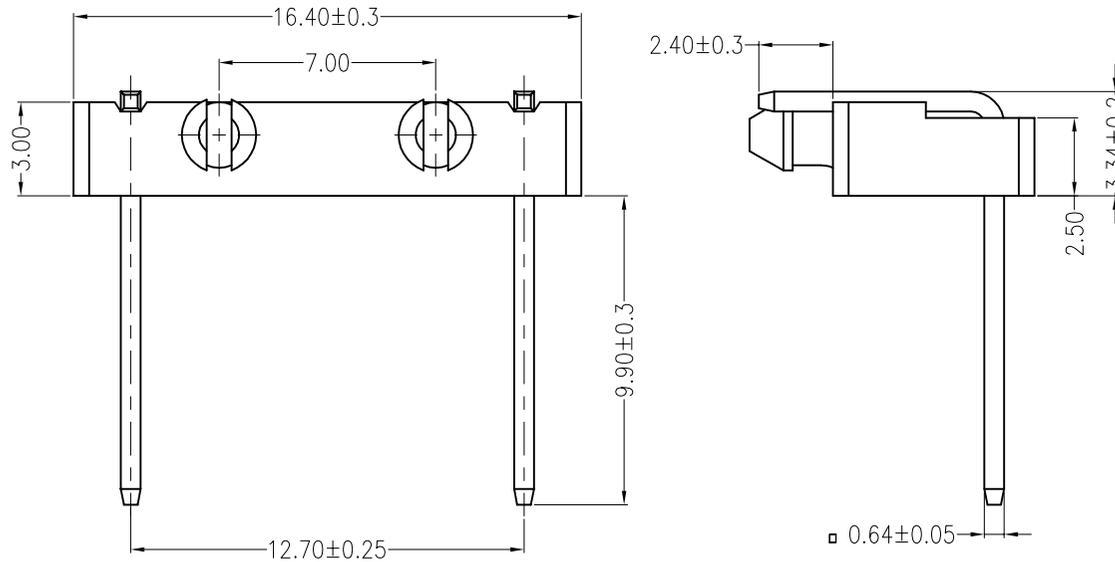
REV	ECN No.	DESCRIPTION	DESIGN	DATE
A	-	Release	吴丹平	2016.08.02



Board Layout
General Tolerance: ± 0.05

主要技术参数 Main Specifications

- 接触电阻 (Contact resistance): $\leq 20m\Omega$
- 绝缘电阻 (Insulation resistance): $\geq 1000M\Omega$
- 额定电压 (Rated voltage): 250V AC DC
- 额定电流 (Rated current): 2.0A AC DC
- 耐电压 (Withstand Voltage): 1000V AC/minute
- 温度范围 (Temperature Range): $-40^{\circ}C \sim +120^{\circ}C$



C				
B	CONTACT	2 PCS	Brass	MATTE Sn-plated
A	HOUSING	1 PCS	LCP	UL 94V-0, COLOR:BEIGE
ITEM	COMPONENT	Q'TY	MATERIAL	FINISH
LEDsconn				TITLE: 12.7Pitch 90°wafer dip type
.X±0.35	X.±	USE:	PART NO.:	
.XX±0.25	.X±	CUSTOMER		
.XXX±0.15	.XX±	APPD: 邵敬和	DWG NO.:	
--	--	CHKD: 田峰		
	UNITS: mm	DR: 蒋建银	SCALE 1 : 1	SHEET 1 / 1