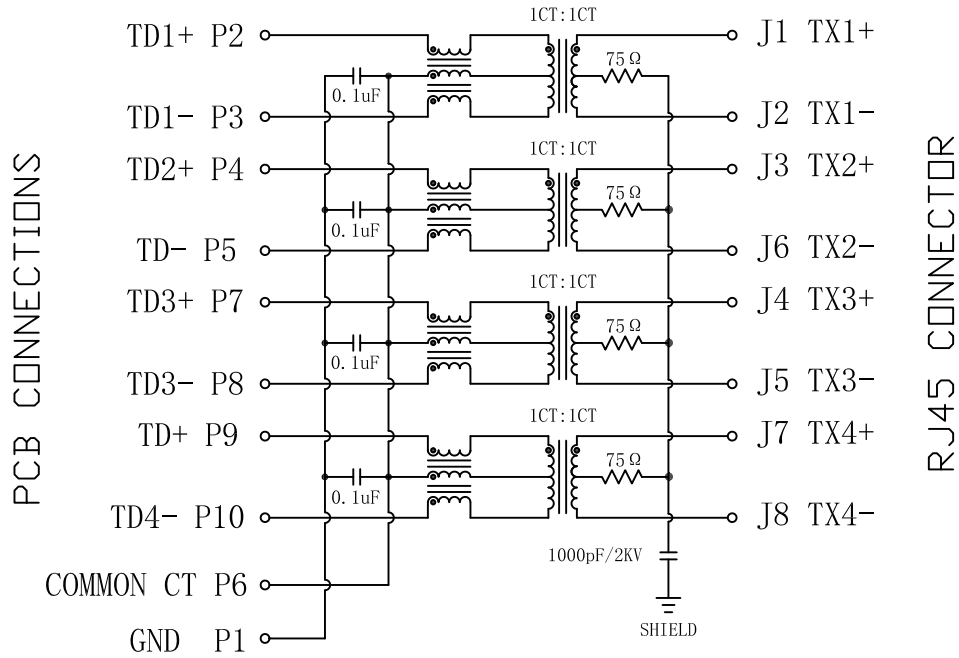


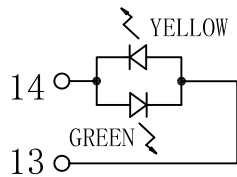
Schematic:

REV.	ECN NO.	DESCRIPTION	DATE	APPD
A	REL		2015-05-18	

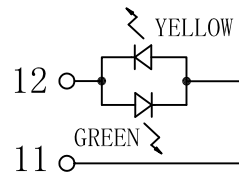


Electrical Specifications @25°C

- Turns Ratio ($\pm 2\%$):
Pri:Sec = 1CT:1CT
- Inductance: 350uH Min
@100KHz, 0.1V, 8mA DC Bias.
- Insertion Loss:
0.1-100MHz: -1.2dB Max
- Return Loss (dB Min):
0.5-40MHz: -18
40-100MHz: -12+20LOG(f/80MHz)
- Cross Talk (dB Min):
1-30MHz: -35 30-80MHz: -24
80-100MHz: -25
- CM TO CM REJECTION:
0.1-100MHz: -30dB Min
- CM TO DM Rejection:
0.1-100MHz: -35dB MIN
- Hipot: 1500Vrms.
- Operating Temperature: 0°C ~ 70°C.



LEFT LED



RIGHT LED

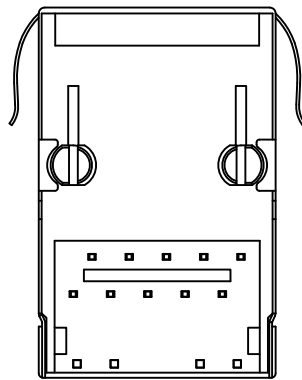
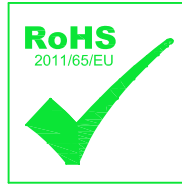
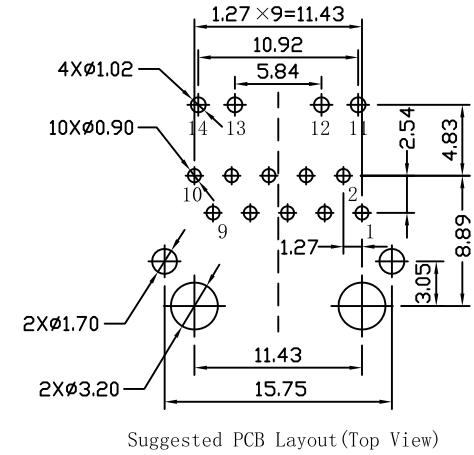
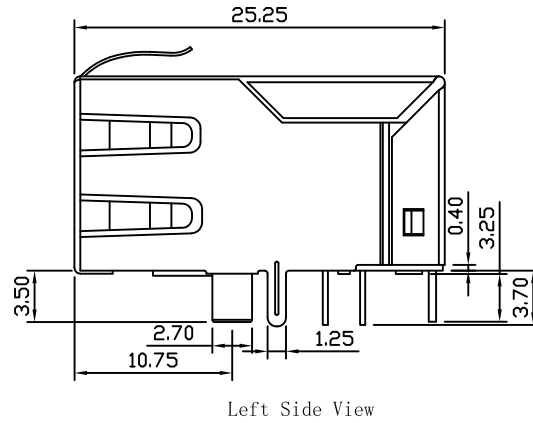
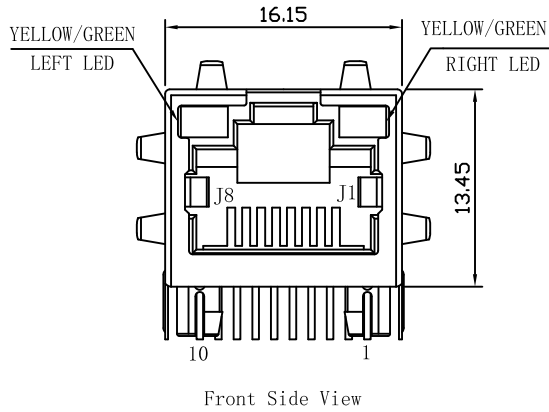
Emitting Color	λ p(nm)	V _F @I _F =20mA	I _R @V _R =5V
GREEN	565	1.8~2.6V	10 μ A max
YELLOW	585	1.8~2.6V	10 μ A max



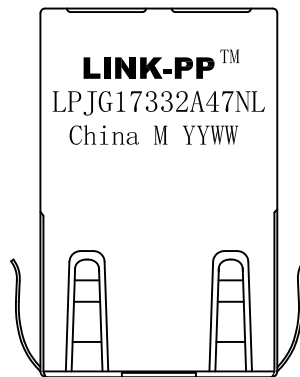
X:X	± 0.30	APPD:	LINK-PP INT'L TECHNOLOGY CO., LIMITED	
X:XX	± 0.25	CHKD:	TITLE: RJ45 Connector with 1000 Base-T Integrated Magnetics	
X:XXX	± 0.05	DR: TOM		
ANGLES	$\pm 1^\circ$	UNIT: mm	PART NO.: LPJG17332A47NL	
	SCALE: 2/1	SHEET: 1/2	REV: A	DWG NO.: LP15051819

Mechanical:

REV.	ECN NO.	DESCRIPTION	DATE	APPD
A	REL		2015-05-18	



Bottom Side View



Top Side View

NOTES:

1. Designed to support application, such as SOHO (ADSL modems), LAN-on-Motherboard (LOM), hub and Switches.
2. Meets IEEE 802.3 specification
3. Connector Materials:
 Housing: Thermoplastic PBT+30%G.F UL94V-0
 Contact: Phosphor Bronze C5210R-EH Thickness=0.35mm
 Pins: Brass C2680R-H Thickness=0.35mm
 Shield: SUS 201-1/2H Thickness=0.2mm
 Contact plating: Gold 6 micro-inches min. In contact area.
4. Wave solder tip temperature: 265°C Max, 5 Sec.
5. UL Certification: File Number E484635.

X:X ±0.30	APPD:	LINK-PP INT'L TECHNOLOGY CO., LIMITED		
X:XX ±0.25	CHKD:	TITLE: RJ45 Connector with 1000 Base-T Integrated Magnetics		
X:XXX ±0.05	DR: TOM	PART NO.: LPJG17332A47NL		
ANGLES ±1°	UNIT: mm	DWG NO.: LP15051819		
	SCALE: 2/1	SHEET: 2/2	REV: A	DWG NO.: LP15051819