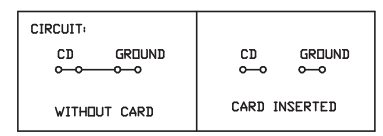
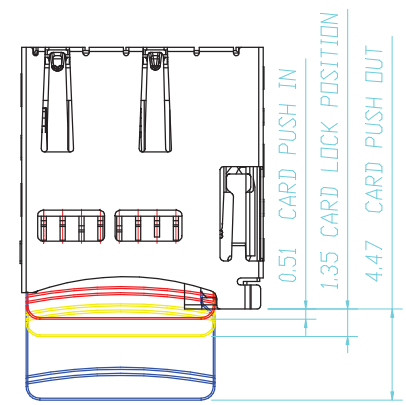
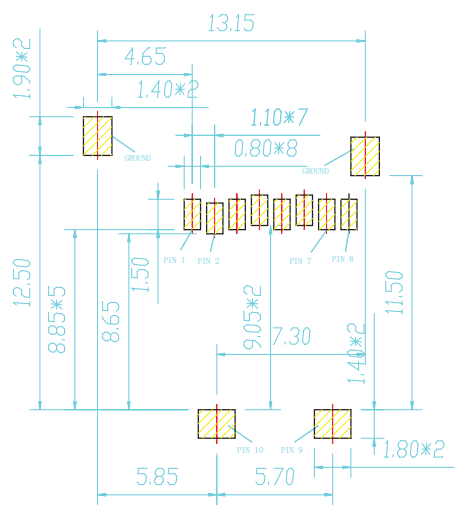
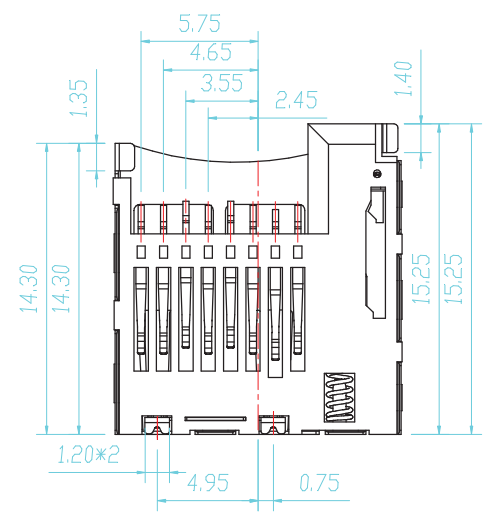
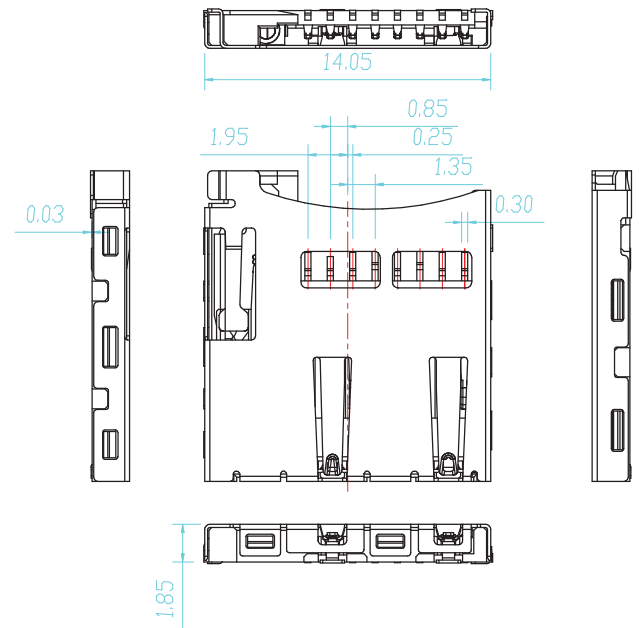


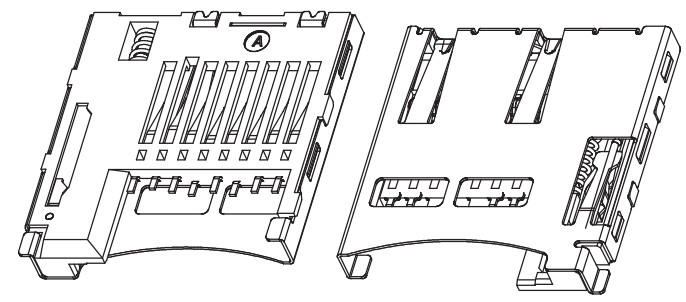
REV.	ECN.ND.	MODIFY.CONTENT	DATE
A		NEW	2012/02/29



PCB HOLES(PATTERN SIDE) t=1.60mm
NOTE:GENERAL TOLERANCE:±0.1mm

Specifications:

- Electrical characteristics
 - 1-1: Contact current rating: 0.5A Max.
 - 1-2: Contact resistance: 100 milli-Ohm Max.
 - 1-3: Insulation resistance: 250V DC or 300V AC for no less than 1 minute
- Mechanical characteristics
 - 2-1: Mating durability:10000 cycles.
 - 2-2: Insertion force: 2.0Kgf Max.
 - 2-3: Extraction force: 0.5Kgf Min.
- Environmental characteristics
 - 3-1: Operation temperature range: -25°C to +85°C
- MATERIAL
 - INSULATOR: HIGH TEMPERATURE PLASTIC UL94V-0
 - COLOR:BLACK
 - CONTACT: COPPER ALLOY
 - SHELL: STAINLESS
 - SPRING:SWP
- PLATING:
 - CONTACT
 - UNDERPLATE: NICKEL 30u".
 - CONTACT AREA: GOLD FLASH OVER NICKEL 30u" .
 - SOLDER AREA: TIN 80u" MIN OVER NICKEL 30u" .
 - SHELL:PLATE 30u" NICKEL MIN OVER ALL
 - SOLDER AREA:GOLD FLASH



GENERAL TOLERANCE		DWG NO.	A0525-012	APPD:	WIND	Scale	1:1
X,±0.45	x.???	Title	MICRO SD PUSH 内焊 常闭型	CHKD:		UNIT	mm
.X±0.35	.x???			DR:			
.XX±0.25	.xx???	Part NO.	WL-TF190-007	Date	2012/02/29		
.XXX±0.15	.xxx??0.5?	深圳市微连电子有限公司 Shenzhen Welink Electronics Co.,Ltd					
SHEET	1/1						