

CZT

SPECIFICATION FOR APPROVAL

CUSTOMER _____

CUSTOMER'S PART NO. _____ REV. _____

DESCRIPTION RJ45 ICM (10/100 Base-T 1 Port)

CZT'S PART NO. JVF110032617 REV. A2

CZT OLD P/N _____

ISSUE NO. 12B-020

ISSUE DATE APR.29,2019

<input type="checkbox"/> APPROVED	<input type="checkbox"/> REJECTED:
<input type="checkbox"/> APPROVED UNDER THE CONDITIONS:	

SuZhou Yihua Communicated Connector Co., Ltd.

Add: No.1558, Linhu East Road, Foho New&Hi-tech industrial Development Zone ,
Wujiang, Jiangu, P.R.C.

TEL:+86-512-82078810

FAX:+86-512-82078858

DongGuan Yihua Electronic Co., Ltd.

Add: Yihua Holdings Industrial park, Cuntou district, Hu'men Town,

TEL:+86- 769-8624 0111

FAX:+86-769-8624 0238


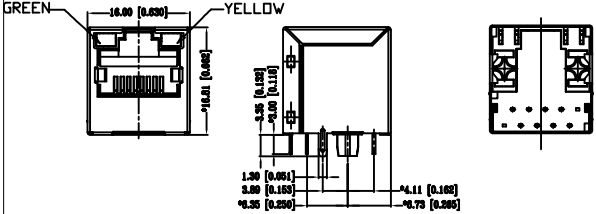
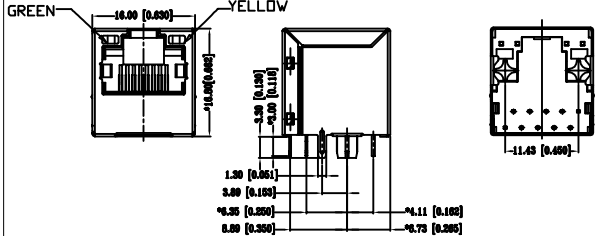
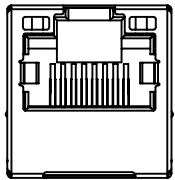
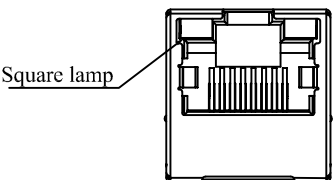
Note:

1. This specification is the proprietary of Yihua Communicated Connector Co., Ltd. and is not allowed to be revealed to third party without any written approval .
2. This specification is valid within 1 year before approval, and for any updated specification information required, please contact with CZT's sales window before order releases.

CZT

SPECIFICATION FOR APPROVAL

3. Revision Change Record

Customer Part No.: CZT Part No.: JVF110032617 Part Name: RJ45 ICM (10/100 Base-T 1 Port)					Rev.: A2	
					 ROHS	
Rev	Description	Drawn	Designed	Approved	Issue Date	
A	New Release	Din Wen Min	/	David Chan	Feb,13,2012	
A1	Change from:  to: 	Alin Yao	/	David Chan	Jan.31,2018	
A2	Change From:  to: 	Alin Yao	/	David Chan	APR.29,2019	

CZT

SPECIFICATION FOR APPROVAL

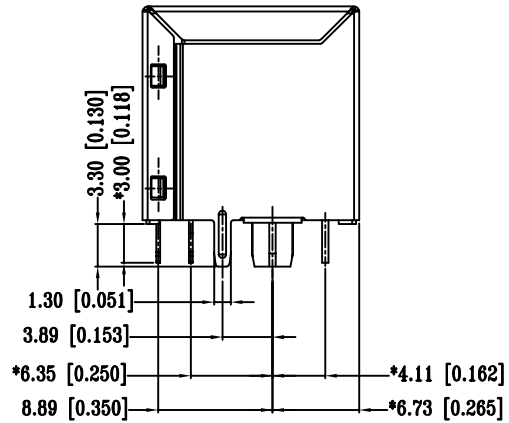
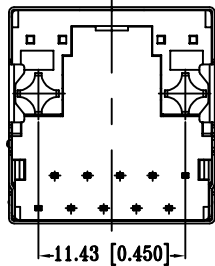
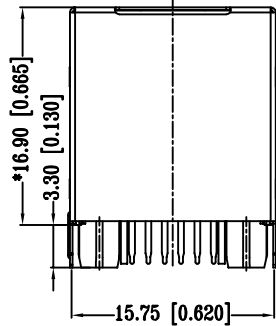
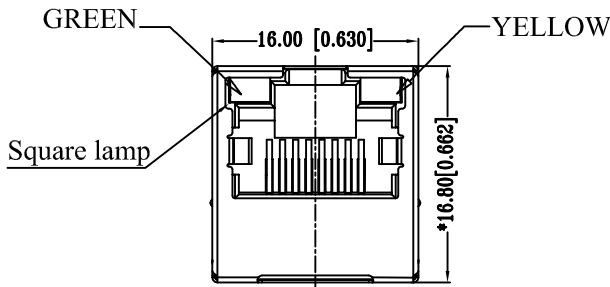
Customer Part No.:
 CZT Part No.: JVF110032617
 Part Name: RJ45 ICM (10/100 Base-T 1 Port)

Rev.: A2



4. Mechanical Dimension and Notes:

4-1. Mechanical Dimension:



Unless otherwise specified, all dimensions tolerances is $\pm 0.254 / 0.010$.

4-2. Notes:

1. CONNECTOR MATERIAL:
 HOUSING: THERMOPLASTIC UL94 V-0
 SHIELD: Brass
 SHIELD PLATING: NICKEL
 CONTACT: COOPER ALLOY
 CONTACT PLATING: SELECTIVE GOLD, 50 MICRO-INCHS MIN IN CONTACT AREA
2. PIN NOT ELECTRICALLY CONNECTED MAYBE OMITTED SEE ELECTRICAL DRAWING FOR OMITTED PINS
3. RJ45 CAVITIES CONFORM TO FCC RULES AND REGULATION PART 68.
4. THE PART IS RECOMMENDED FOR WAVE SOLDERING PROCESS PEAK SOLDERING TEMPERATURE IS 260° C MAX, 10 SECS MAX
5. OPERATING TEMPERATURE T=0° C TO +70° C.
6. STORAGE TEMPERATURE T=-40° C TO +85° C.
7. ALL CRITICAL DIMENSIONS WITH "*"

LED SPECIFICATION			
STANDARD LED	WAVELENGTH	Forward V(max)	TYP
GREEN	565nm	2.4V	2.2V
YELLOW	590nm	2.5V	2.1V

*WITH A FORWARD CURRENT OF 20mA

Drawn by
Alin Yao

Designed by
/

Approved by
David Chan

CZT

SPECIFICATION FOR APPROVAL

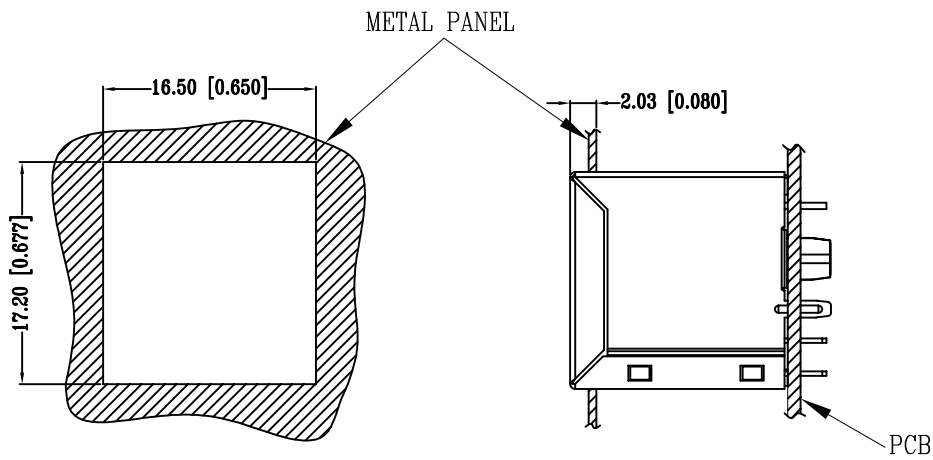
Customer Part No.:
CZT Part No.: JVF110032617
Part Name: RJ45 ICM (10/100 Base-T 1 Port)

Rev.: A2



5. Label and Recommended PWB Layout and Suggested Panel Opening:

5-1. Suggested Panel Opening:



UNIT: mm / inch
Tolerances: ± 0.10 / 0.004

REFERENCE ONLY

CZT

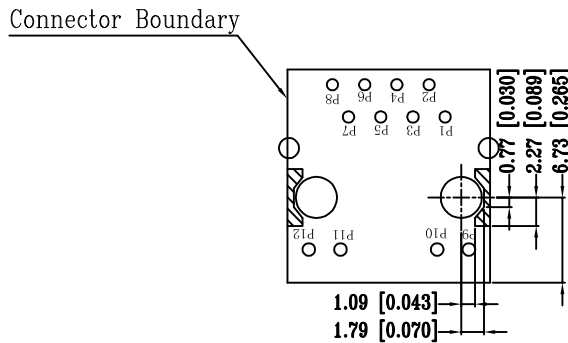
SPECIFICATION FOR APPROVAL

Customer Part No.:
 CZT Part No.: JVF110032617
 Part Name: RJ45 ICM (10/100 Base-T 1 Port)

Rev.: A2

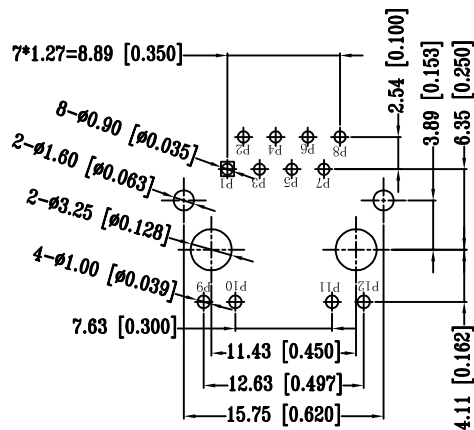


5-2. Keep-Out Area (Component Side View):



UNIT: mm / inch
 Tolerances: ± 0.10 / 0.004

5-3. Recommended PWB Layout (Component Side View):



UNIT: mm / inch
 Tolerances: ± 0.10 / 0.004

CZT

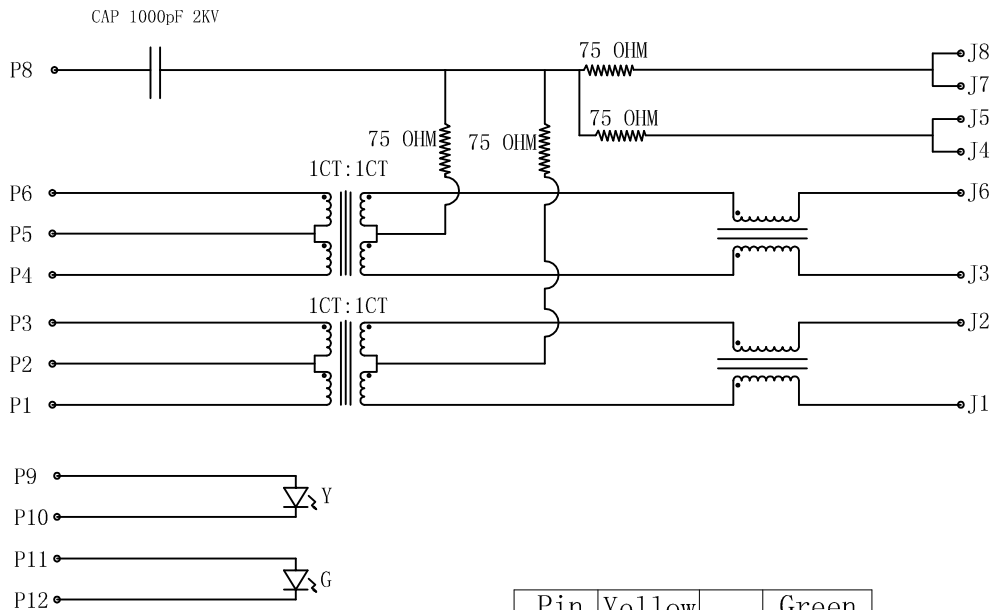
SPECIFICATION FOR APPROVAL

Customer Part No.:
 CZT Part No.: JVF110032617
 Part Name: RJ45 ICM (10/100 Base-T 1 Port)

Rev.: A2



6. Circuit Schematic and Electrical Specifications: 6-1. Circuit Schematic:



Pin	Yellow		Green
P9	+	P11	+
P10	-	P12	-

6-2. Electrical Specifications:

- 1.0 Turn Ratio @100KHz: (P1~P3):(J1~J2) = 1:1±5%
 (P4~P6):(J3~J6) = 1:1±5%
- 2.0 Primary Inductance: 350uH MIN @100KHZ,0.1V 8mA DC BIAS
- 3.0 DC Resistance:(J1~J2):(J3~J6) 1.2 OHMS MAX
- 4.0 Insertion Loss: 1-100MHz -1.2dB MAX
- 5.0 Return Loss: 1-30MHz -16dB MIN
 30-60MHz -12dB MIN
 60-80MHz -10dB MIN
- 6.0 CROSS TALK: 1-100MHz -30dB MIN
- 7.0 COMMON TO COMMON MODE ATTENUATION: 1-100MHz -30dB MIN
- 8.0 Isolation: PHY Side to Line Side: 1500VAC or 2250VDC