

Material:

\* Insulation: Nylon 6T + 30% GF. UL 94V-0  
Color Black

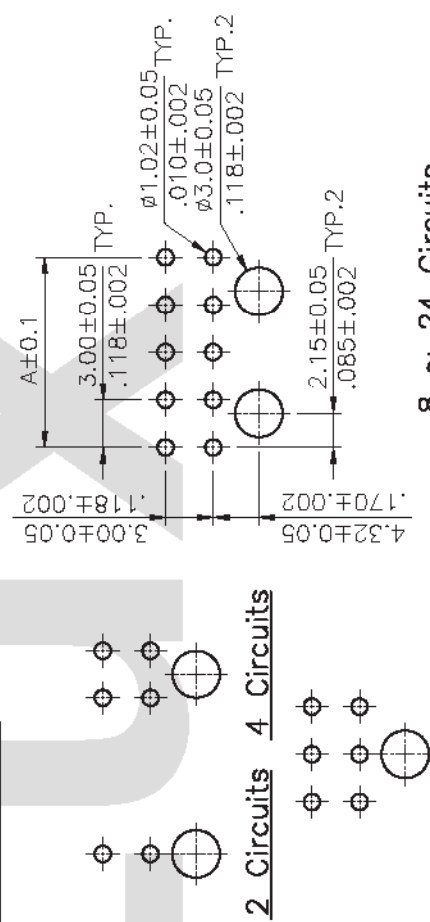
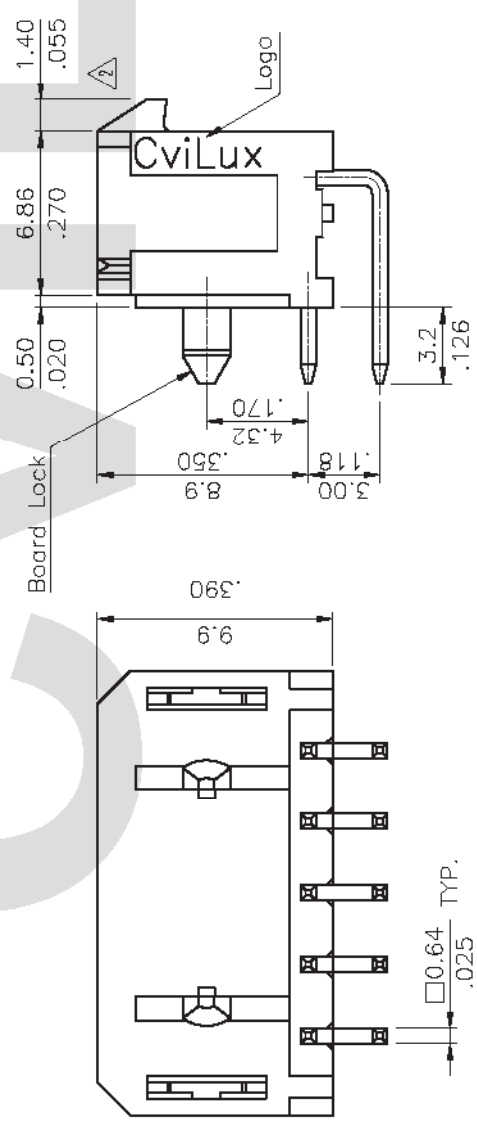
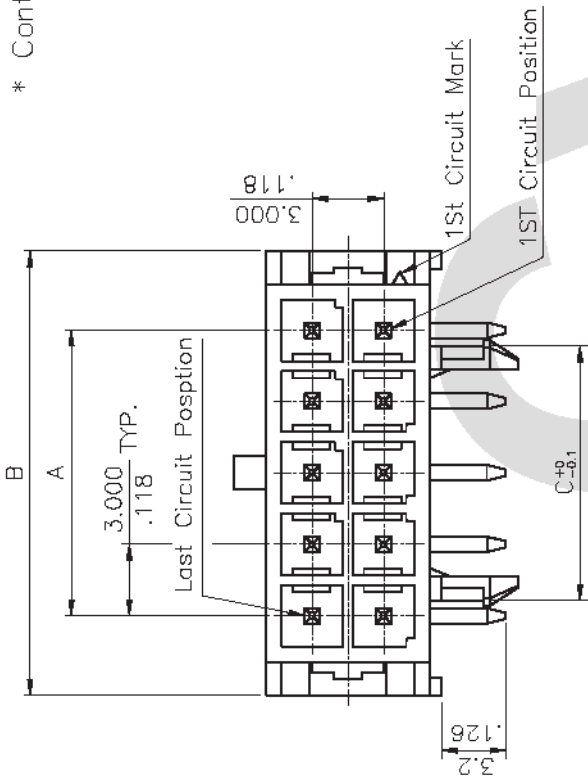
\* Contact: Brass

Ordering Code:

CP35 \*\* P \* H 0 0  
① ② ③ ④ ⑤ ⑥ ⑦

- ① Series No.
- ② No. of Circuits: 02~24
- ③ Contact type: P= Plug
- ④ Contact plated:
- 1= Tin over Nickel
- 2= Gold flash plated over 50 $\mu$ " Nickel
- 3= 15 $\mu$ " Gold plated over 50 $\mu$ " Nickel
- 4= 30 $\mu$ " Gold plated over 50 $\mu$ " Nickel
- ⑤ H= Right angle
- ⑥ Mount type: 0= Dip Type
- ⑦ Other options: 0= With plastic board lock (Standard)

Circuits	Dimension		
	A	B	C
2	—	6.7(.264)	—
4	3.00(.118)	9.7(.382)	—
6	6.00(.236)	12.7(.500)	—
8	9.00(.354)	15.7(.618)	7.7(.303)
10	12.00(.472)	18.7(.657)	10.7(.421)
12	15.00(.591)	21.7(.854)	13.7(.539)
14	18.00(.709)	24.7(.972)	16.7(.657)
16	21.00(.827)	27.7(1.091)	19.7(.776)
18	24.00(.945)	30.7(1.209)	22.7(.894)
20	27.00(1.063)	33.7(1.327)	25.7(1.012)
22	30.00(1.181)	36.7(1.445)	28.7(1.130)
24	33.00(1.299)	39.7(1.563)	31.7(1.248)



2 Circuits 4 Circuits

6 Circuits

8 ~ 24 Circuits

Recommended P.C. Board layout

RoHS Compliant

⑤	Sun	9/18-06	ECR06083-0/ECN06330	DATE	9/20-06'	DATE	9/20-06'	UNIT: mm / inch	TITLE: 3.00mm PITCH RIGHT ANGLE HEADER POWER CONNECTOR
④	Sun	12/12-05	ECN05428	DRAWN BY:	Sun	9/20-06'	9/20-06'	UNLESS OTHERWISE SPECIFIED	HEADER POWER CONNECTOR
③	Casey	9/22-05	ECR05080-0/ECN05022	ENGINEER:	Eisley	9/20-06'	9/20-06'	X ± 0.30/.012 X' ± 1"	MATERIAL:
②	Casey	8/12-05	ECR05064/ECN05274	CHECKED BY:	David	9/20-06'	9/20-06'	XX ± 0.20/.008 X' ±	FINISH:
SYM	NAME	DATE	REVISIONS	APPROVED BY:	Alex	9/20-06'	9/20-06'	XXX ± 0.10/.004 XX' ±	

CVILUX CORP.  
2006.09.25  
ISSUED



瀚荃股份有限公司  
CVILUX Corporation  
DRAWING NO. CP3506SJ PART NO. CP35\*\*P\*H00  
SCALE 3 / 1 SHEET 1 OF 1