



PT.SAMCON

DATA SHEET

DISC CERAMIC CAPACITOR

Spec. : SDF2G222M09BJ1
Part No. :
Lot. No. :

Dimension :

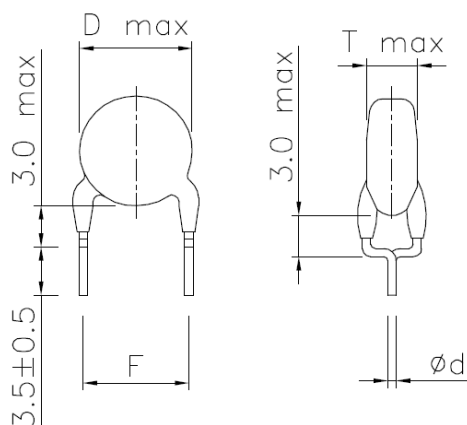


Fig. Taping Style & Dimensions

Dimension	
φD max.	9.5
Tmax.	7.0
φd (± 0.05)	0.60
F (± 1.0)	10.0
P	-
Unit	mm

ITEM INSPECTION	VALUE
Capacitance at 1 KHz, 1.0 Vrms, 20 °C ± 2°C	2200 pF
Capacitance Tolerance at 1 KHz, 1.0 Vrms, 20 °C ± 2°C	- 20% ~ + 20%
Dissipation Factor at 1 KHz, 1.0 Vrms, 20 °C ± 2°C	max. 5.0%
Rating Voltage (AC)	400 Volt
Testing Voltage (AC)	4000 Volt
Insulation Resistance	min. 10 ⁴ MΩ
Temperature Range	- 25°C ~ + 85°C
Capacitance Change Rate (of initial value 20°C)	- 82% ~ + 22%

Approved by :

Apang Djafar S

Technical Team Manager