

1 2 3 4 5 6 7 8

A

B

C

D

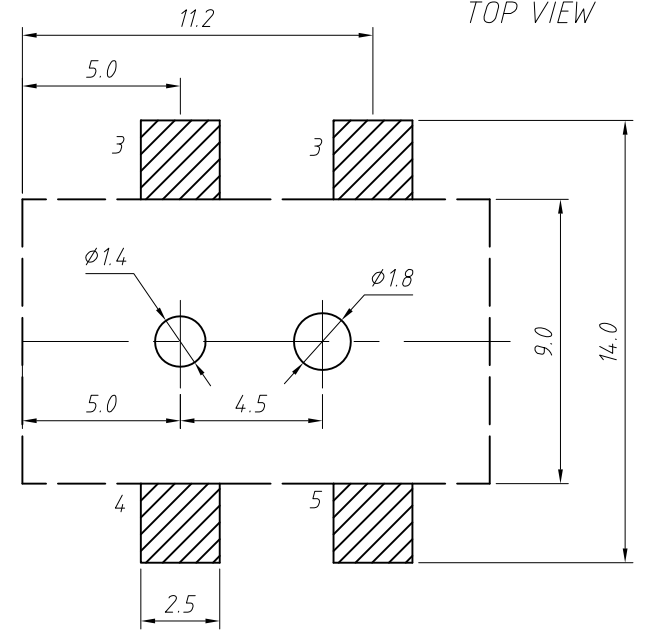
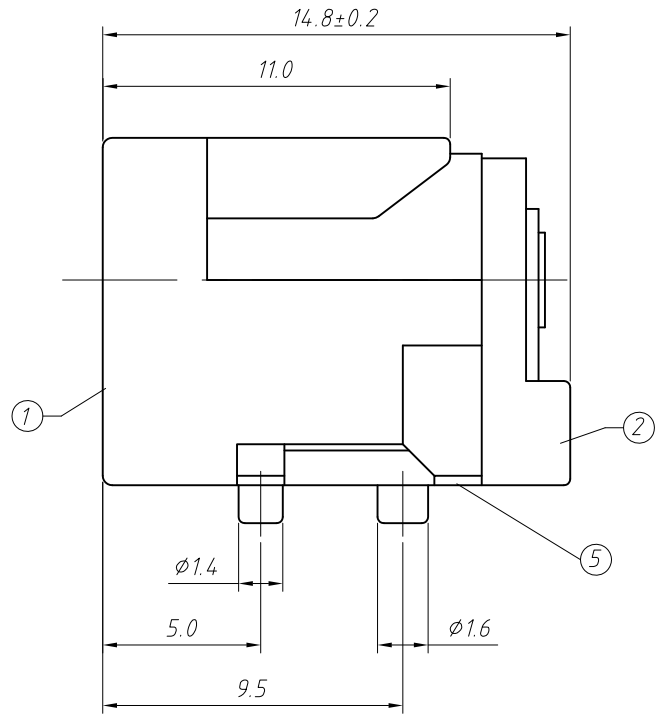
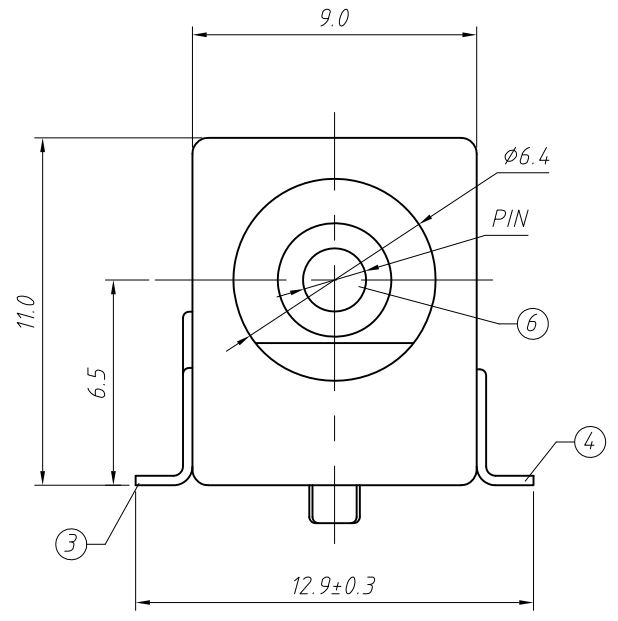
E

F

G

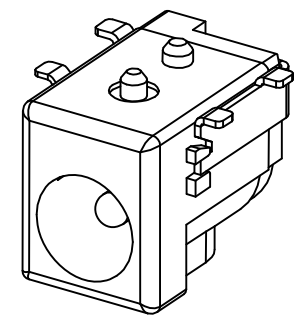
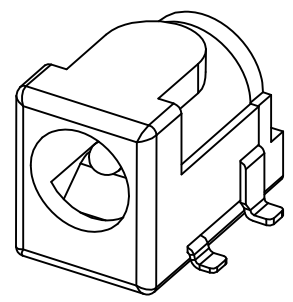
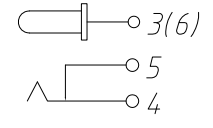
H

PCB LAYOUT  
TOP VIEW



SCHEMATIC

PIN	φ2.0	φ2.5
APPD		



SPECIFICATION

Rated Load: DC 30V 0.5A  
 Contact resistance: 30mΩ, max  
 Insulation resistance: 100MΩ, min  
 Withstand Voltage: AC500V  
 Actuating Force: 3-20N  
 Life: 5000 cycles  
 Operating Temperature: -30°C-70°C

NO.	Description	QTY	Material	Plating
1	Housing	1	PA9T	---
2	Cover	1	PA9T	---
3	Curve Piece	1	H62 Brass	Ag-Plating
4	Spring	1	Bronze	Ag-Plating
5	Curve Piece	1	H62 Brass	Ag-Plating
6	PIN	1	H59 Brass	Ni-Plating

GENERAL TOLERANCE	PROJECTION		Description:
X. ±0.50	UNITS	mm	DC POWER Jack SMT HORIZONTAL
.X ±0.25	SCALE	1:1	
.XX ±0.10	Draw by:	Jenny	P/N DC2020SMD-CT
ANGLE TOLERANCE	Check by:		<b>CONNTERM</b>
X. ±5°	Date	2019-03-01	
.X ±3°	SHEET	1 OF 1	
.XX ±2°			

1 2 3 4 5 6 7 8