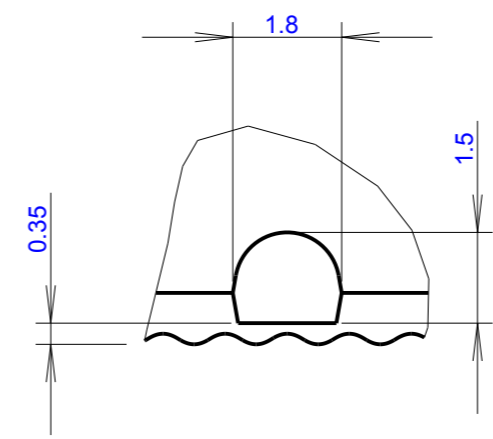
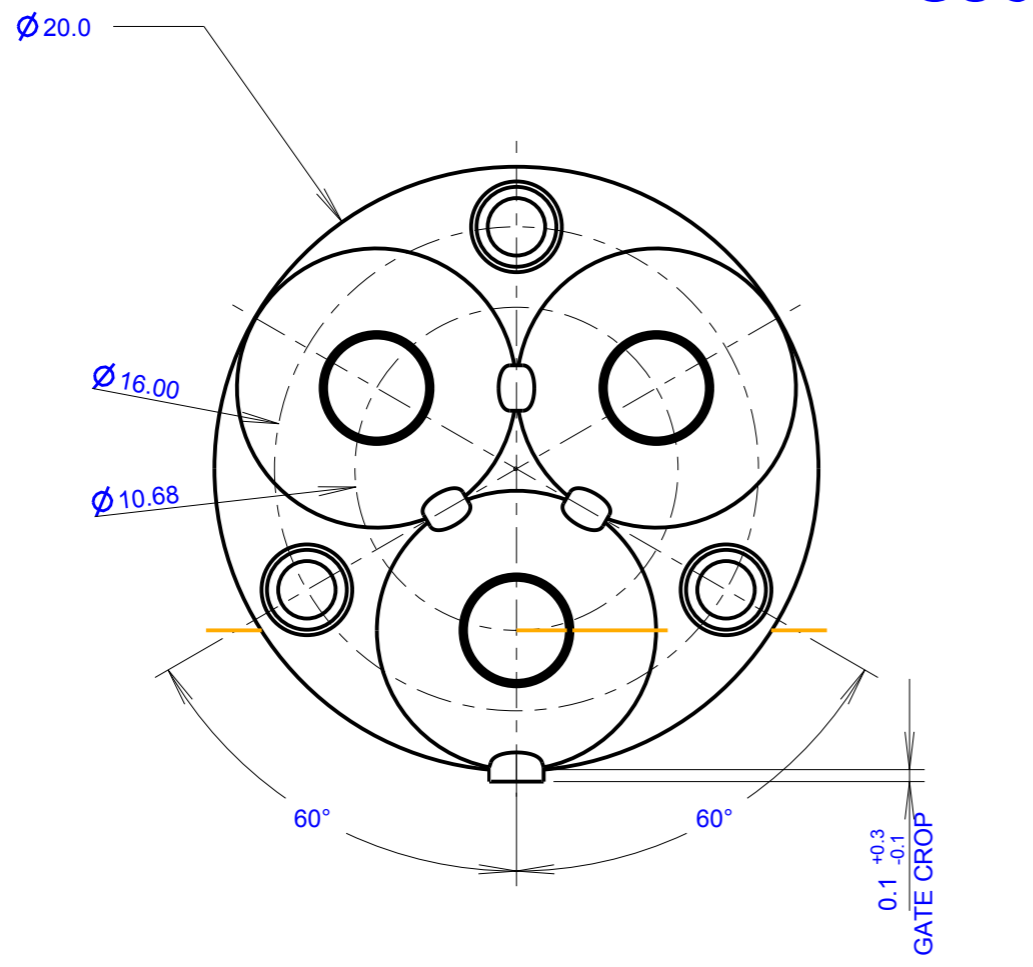
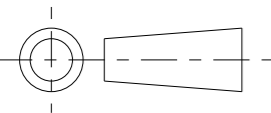
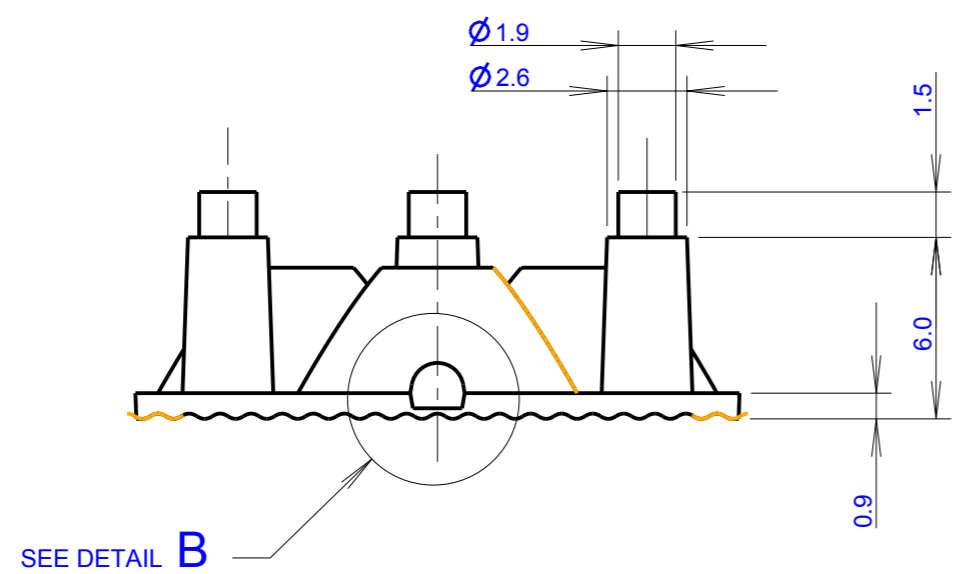


CUSTOMER DRAWING

©2011 CTP-COIL
ALL DIMENSIONS IN mm



DETAIL B
SCALE 8:1



SCALE 1:1

MATERIAL - UV STABILISED CLEAR POLYCARBONATE

ISS.	DATE	E.C.N.	DESCRIPTION
1	22-Oct-08		FIRST ISSUE
2	12-Nov-08	10/O8/1233	LEG PIN LENGTH REDUCED TO 15MM
2A	10-Aug-11	08/11/1306	Gate tolerance updated
2B	07 JUN'16	DCN1481	REDIMENSIONED. P.SUTTON



technical plastics
CARCLO TECHNICAL PLASTICS (SLOUGH)
 103 BUCKINGHAM AVE, SLOUGH
 SL1 4PF, ENGLAND
 TEL: +44 1753 575011 FAX: +44 1753 811359
 email: design@carclo-optics.com

GENERAL TOLERANCES (UNLESS STATED)

LINEAR	ANGULAR
X +/- 0.25	X +/- 1°
X.X +/- 0.1	X.X +/- 0.5°
X.XX +/- 0.05	X.XX +/- 0.1°

CUSTOMER
CARCLO

TITLE
10mm TRIPLE OPTIC ELLIPTICAL

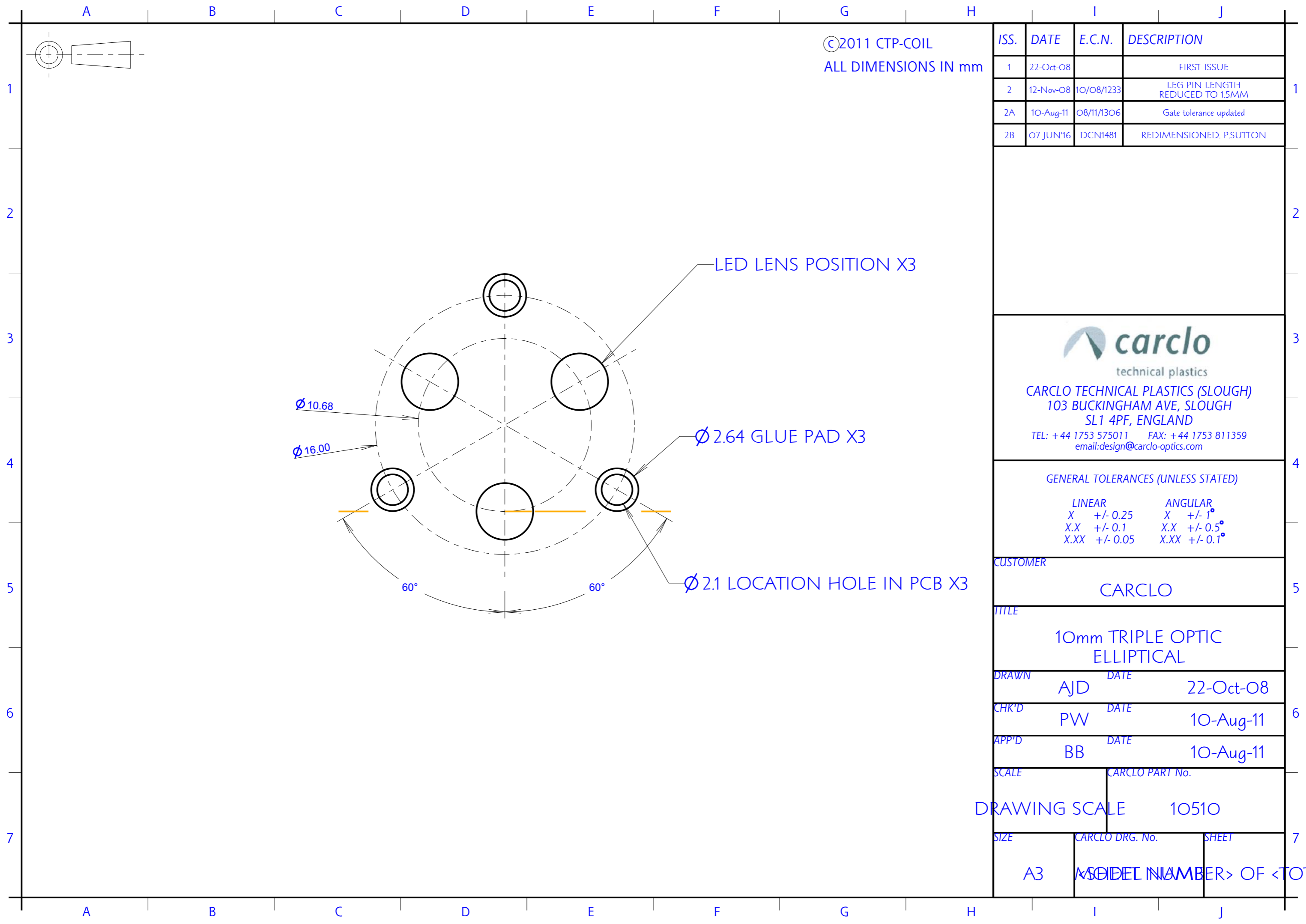
DRAWN **AJD** DATE **22-Oct-08**

CHK'D **PW** DATE **10-Aug-11**

APP'D **BB** DATE **10-Aug-11**

SCALE **4:1** CARCLO PART No. **10510**

SIZE **A3** CARCLO DRG. No. **60525_2B** SHEET **2 OF 3**



ISS.	DATE	E.C.N.	DESCRIPTION
1	22-Oct-08		FIRST ISSUE
2	12-Nov-08	10/O8/1233	LEG PIN LENGTH REDUCED TO 15MM
2A	10-Aug-11	08/11/1306	Gate tolerance updated
2B	07 JUN'16	DCN1481	REDIMENSIONED. P.SUTTON

carclo
technical plastics

CARCLO TECHNICAL PLASTICS (SLOUGH)
103 BUCKINGHAM AVE, SLOUGH
SL1 4PF, ENGLAND

TEL: +44 1753 575011 FAX: +44 1753 811359
email: design@carclo-optics.com

GENERAL TOLERANCES (UNLESS STATED)

LINEAR	ANGULAR
X +/- 0.25	X +/- 1°
X.X +/- 0.1	X.X +/- 0.5°
X.XX +/- 0.05	X.XX +/- 0.1°

CUSTOMER
CARCLO

TITLE
10mm TRIPLE OPTIC ELLIPTICAL

DRAWN
AJD DATE 22-Oct-08

CHK'D
PW DATE 10-Aug-11

APP'D
BB DATE 10-Aug-11

SCALE
DRAWING SCALE 10510

SIZE
A3

CARCLO PART No.
10510

CARCLO DRG. No.
10510

SHEET
1 OF 1