

TPM-3615PW

Arestech

Full System IP66/69K Protected 15.6" Stainless Steel Wide Screen Industrial Monitor with P-Cap Touchscreen



Features

- Full System IP66/69K Protected Stainless Steel 316
- Support 1366x768/1920 x 1080 Full HD Resolution
- 12 ~ 24 V DC power input (M12 Connector)
- VGA (M12 Connector) and HDMI (Option)
- Support VESA and Yoke mounting

Applications

- Food & Beverage Processing Industrial
- Pharmaceutical and Biopharmaceutical Equipment
- Embedded HMI Display System
- Factory Manufacturing Automation
- Chemical, Gas & Oil Critical Environment

→ Packing List

Description
1 x TPM-3615PW

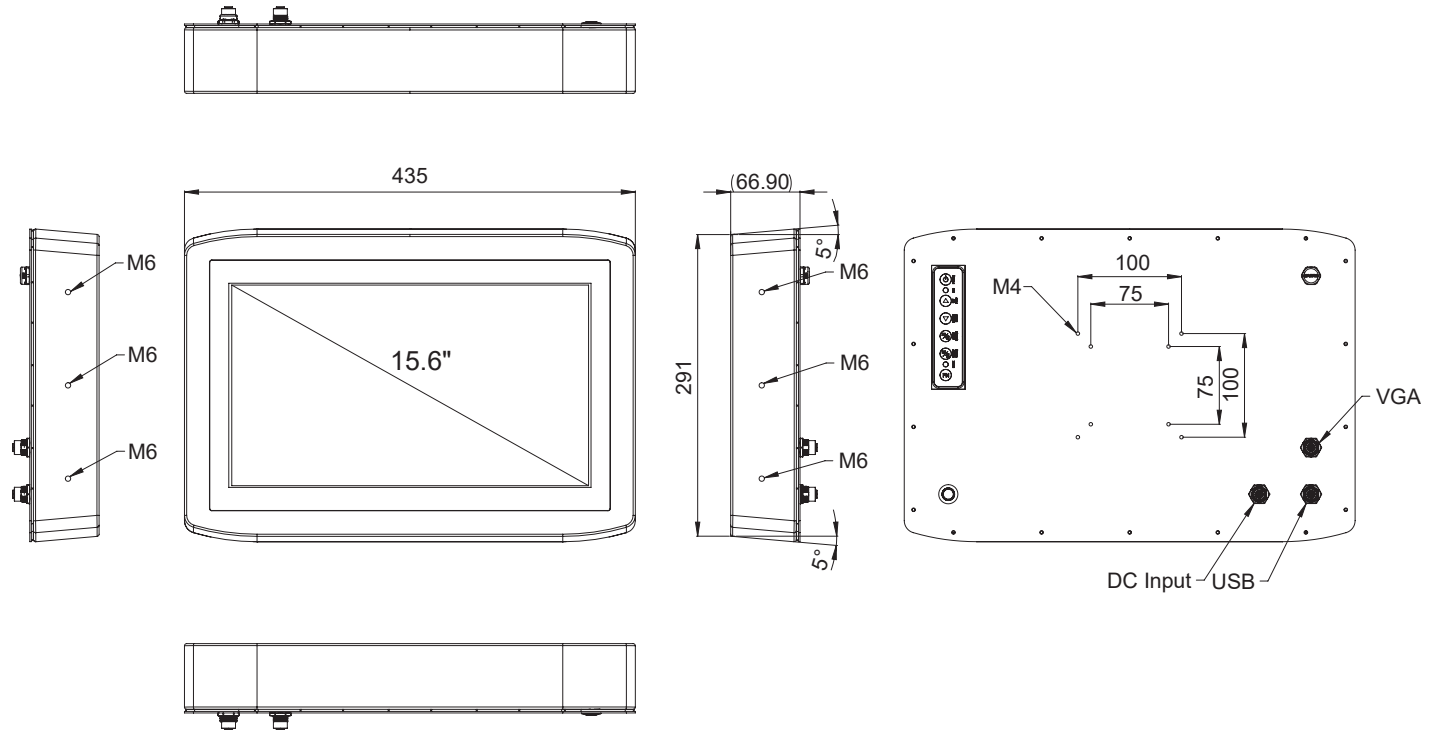
→ Optional Items

Part No.	Description
APW-60M12V-01	12V, 60W, 5A, 5-pin M12 Connector (US)
APW-60M12V-02	12V, 60W, 5A, 5-pin M12 Connector (EU)
AKT-TOU2M12	M12 Connector to Touch Cable, 2m
AKT-VGA2M12	M12 Connector to DB15 Cable, 2m
AKT-HDMI2IP67	IP67 Connector to HDMI Cable, 2m

→ Ordering Information

Part No.	Description
TPM-3615PW-B61A1	15.6" 1366 x 768, Full System IP66/IP69K Stainless Steel Industrial Touch Monitor, Flat Panel, Projected Capacitive Touch, USB interface, VGA, 12~24V DC input, M12 Connectors
TPM-3615PW-B62A1	15.6" 1920 x 1080, Full System IP66/IP69K Stainless Steel Industrial Touch Monitor, Flat Panel, Projected Capacitive Touch, USB interface, VGA, 12~24V DC input, M12 Connect

→ Dimensions



→ Specifications

Model		TPM-3615PW-B61A1	TPM-3615PW-B62A1
Display	Panel Size	15.6" LCD Panel	
	Resolution	1366 x 768 (HD)	1920 x 1080 (Full HD)
	Viewing Angle	80 x 80 (H), 80 x 80 (V)	85 x 85 (H), 85 x 85 (V)
	Brightness	300 (cd/m ²)	450 (cd/m ²)
	Color Support	16.7 M	16.2 M
	Contrast Ratio	500:1	800:1
	Response Time	8 (msec)	12 (msec)
Touchscreen	Type	Projected Capacitive	
	Surface Hardness	7 Mohs	
	Transparency	90% (±3%)	
I/O Interface	Input Interface	1 VGA (M12 Connector), 1 HDMI (IP67 Waterproof Connector, Option)	
	Touch Interface	1 USB, M12 Connector	
OSD Control	OSD Function Key	5 Keys: Menu, Up, Down, Auto Adjust, Monitor Power on/off	
Power	Power Input	12-24 V DC power input, single power source	
	Power Connector	M12 connector	
	Power Consumption (Typical)	10.1 W	
Environment	Operating Temperature	-20~60° C (-4~140° F)	
	Storage Temperature	-30~70° C (-22~158° F)	
	Humidity	5~95% @ 40° C, Non-condensing	
	Vibration	5-500 Hz, 0.026 G ² /Hz, 2.16 Grms, X, Y, Z, 1 hour per axis	
General	Ingress Protection	Full System IP66/69K Protection, Stainless Steel 316	
	Dimensions (W x H x D)	435 x 291 x 66.9 mm (17.12" x 11.45" x 2.63")	
	Weight	7.14kg(15.74lb)	
	Operating System	Windows 7/8.1/10, WES7, WE8S, Linux Fedora, Ubuntu	