

## SLB12400L151

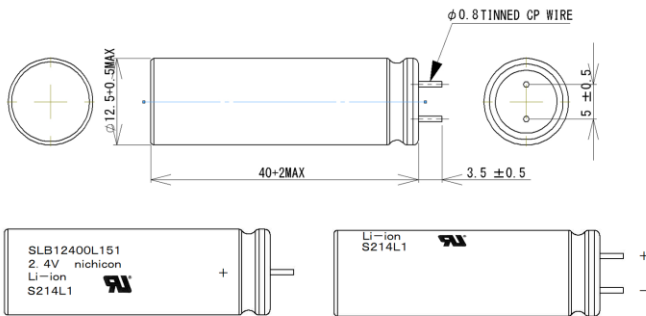
- UL1642
- IEC62133-2: 2017 certified product

### ◆FEATURES

- Over 20000 cycles life time
- Support for 20C rate rapid charging/discharging
- Capable of charging at low rate (0.01C)
- Possible to use in cold regions (-30deg.C)
- Extremely low risk of rupture or ignition



### ◆DIMENSIONS

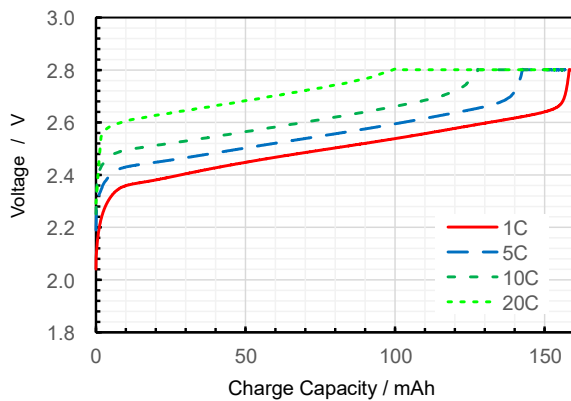


### ◆SPECIFICATIONS

Nominal voltage	2.4V
Maximum charging voltage	2.8V
Minimum discharge voltage	1.8V
Operational temperature range	-30°C ~ +60°C
Nominal capacity	150mAh
ESR (at1kHz, 2.4V)	Max. 0.06ohm
Max. charge/discharge current	3000mA
Energy density	73Wh/L
Weight	9.0g

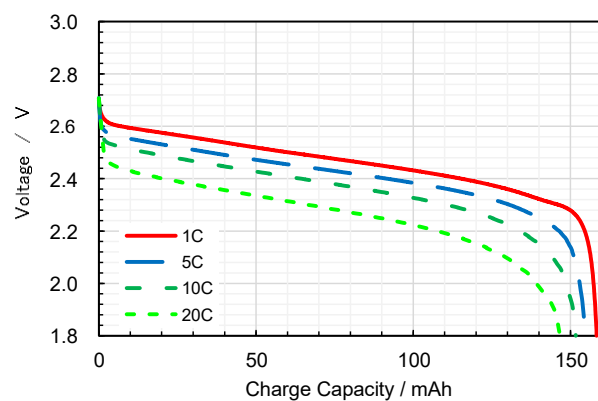
### ◆TYPICAL CHARACTERISTICS

Charge characteristics



Charge : CC-CV 1C, 2.8V, cut-off 0.05C at 25°C

Discharge characteristics



Charge : CC-CV 1C, 2.8V, cut-off 0.05C at 25°C  
Discharge: CC, cut-off 1.8V at 25°C

The data in this document is for descriptive purposes only and is not intended to make or imply any guarantee or warranty.

**Design, Specifications are subject to change without notice.**