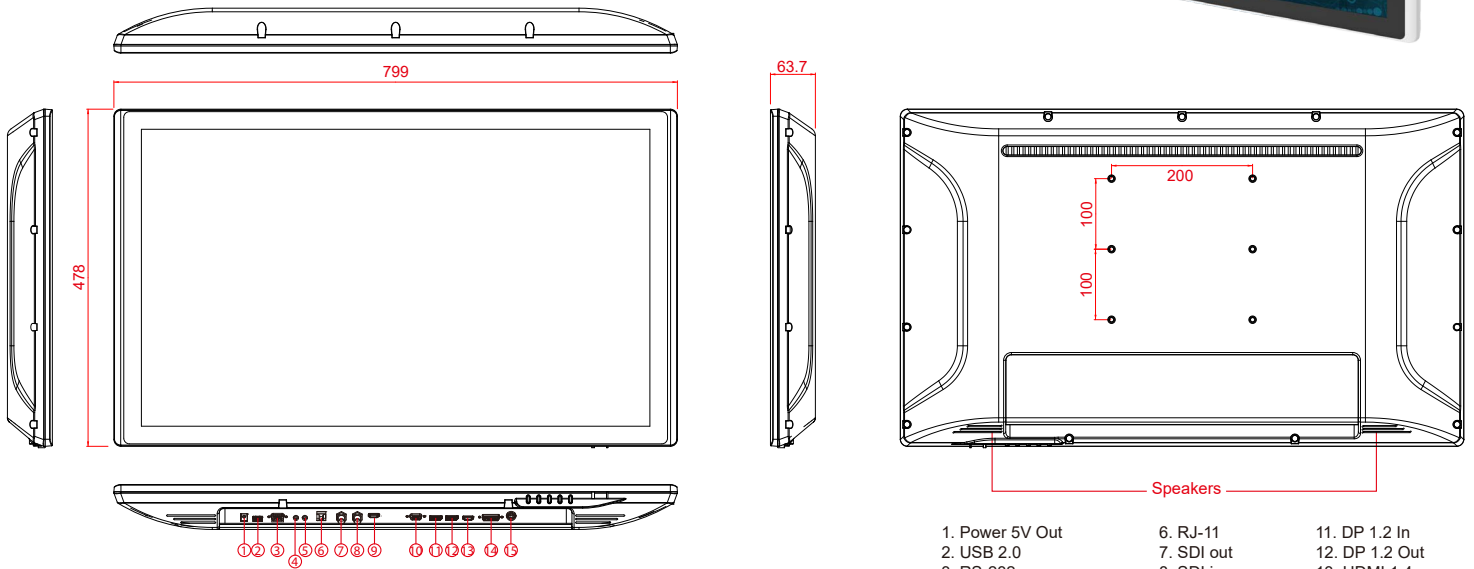


# 32" 4K UHD Chassis Display - W32L100-PTA1

## Features

- 32" Display with 4K UHD (3840 x 2160) native resolution
- Projected Capacitive Touch
- Bottom side keys x 5
- Fanless and Ventless design, Easy-to-Clean
- Support VGA , DVI , HDMI , DP variety signal input
- Support IR Remote controller



\* Note: this is a simplified drawing and some components are not marked in detail. Please contact our sales representative if you need further product information.

- |                 |             |                 |
|-----------------|-------------|-----------------|
| 1. Power 5V Out | 6. RJ-11    | 11. DP 1.2 In   |
| 2. USB 2.0      | 7. SDI out  | 12. DP 1.2 Out  |
| 3. RS-232       | 8. SDI in   | 13. HDMI 1.4    |
| 4. Line out     | 9. HDMI 2.0 | 14. Dual DVI in |
| 5. Mic in       | 10. VGA In  | 15. 24 DC in    |

## Specifications

### Display Spec :

- Size/Type : 32"
- Resolutions : 3840 x 2160
- Brightness : 350cd/m<sup>2</sup> (typ.) optional 700cd/m<sup>2</sup>
- Contrast Ratio : 1000 : 1 (typ.)
- Viewing Angle : -89~89(H);-89~89(V)
- Max Colors : 1.07B
- Touch (Optional) : Projected-Capacitive Touch

### Power Specification :

- Power Input : 24V DC in 150W, with external 110-240V AC to DC Adapter
- Power Consumption : 55 W typical, normal operation

### Environment Considerations :

- Operating Temperature : 0 °C to 35 °C
- Operating Humidity : up to 95%
- IP Rating : Front IP65

### I/O Specification

- Input Signal : 3G SDI  
: VGA  
: HDMI 2.0  
: Dual DVI in  
: DP 1.2  
: HDMI 1.4  
: Audio In  
: USB 2.0  
: RS-232  
: RJ-11
- Output Signal : DP (Multi-Stream Transport)  
: Audio Out  
: 5V out  
: 3G SDI (Loop Through), support 1080P
- Speaker : 2 x 5W speaker

### Mechanical Specification :

- Mounting : VESA Mount (100 x 200mm)  
(200 x 200mm)
- Dimensions (W x H x D) : 799 x 478 x 63.7 (mm)

