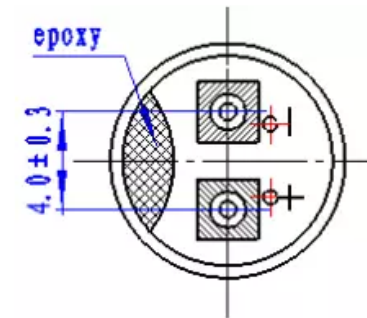
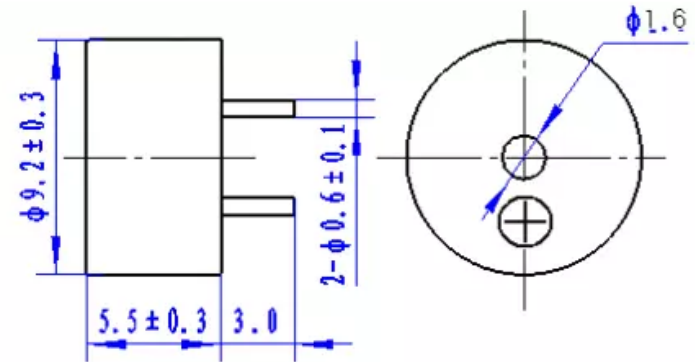
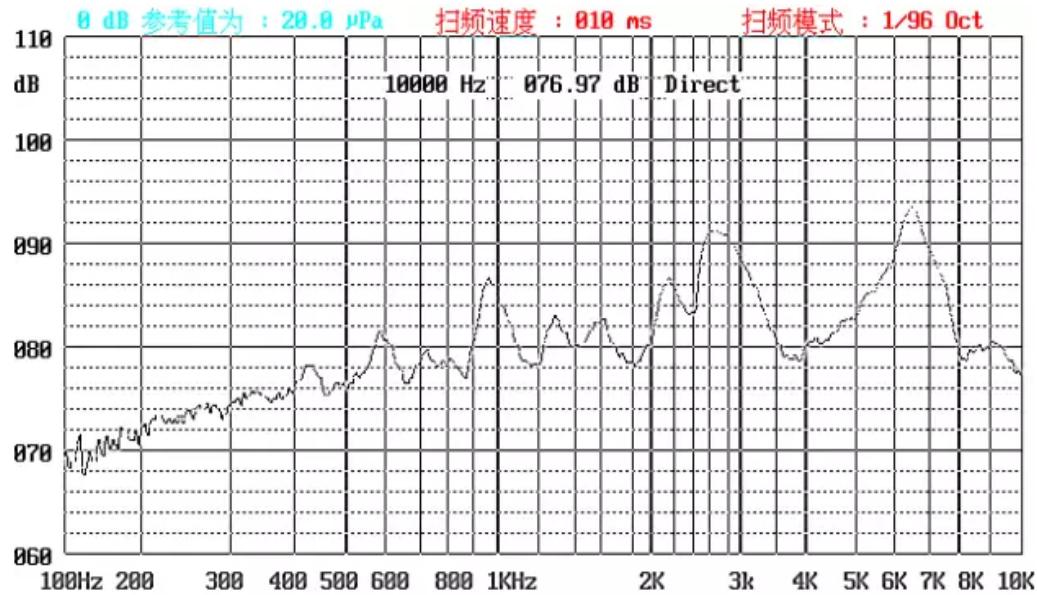


SPECIFICATION		
1	Model No.	CFDS03-E
2	Rated Voltage (V)	3
3	Operating Voltage (V)	2~5
4	Resonant Frequency (Hz)	2731
5	Coil Resistance (Ω)	25 \pm 3
6	*Sound Output at 10cm (dB)	\geq 85
7	*Current Consumption (mA)	\leq 60
8	Operating Temperature ($^{\circ}$ C)	-25~+70
9	Storage Temperature ($^{\circ}$ C)	-30~+80
10	Weight (g)	0.8
11	Housing Material	PPO
12	Rohs	Yes



REVISION HISTORY			
LTR	DESCRIPTION	DATE	APPROVED
-	RELEASED FROM ENGINEERING	9/23/2003	Y M
A			
C			
B			



NOTES:

- 1.ALL DIMENSIONS ARE IN MILLIMETERS
- 2.SPECIFICATIONS SUBJECT TO CHANGE WITHOUT NOTICE