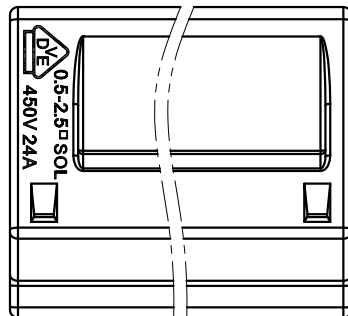


REVISION RECORD				
REV	ECN	DESCRIPTION	DRFT	DATE



NOTES1:

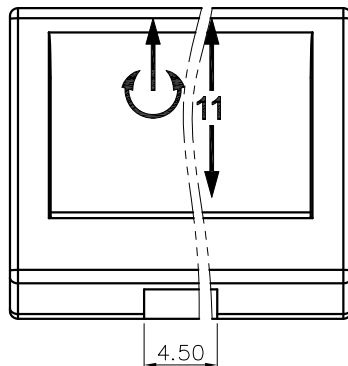
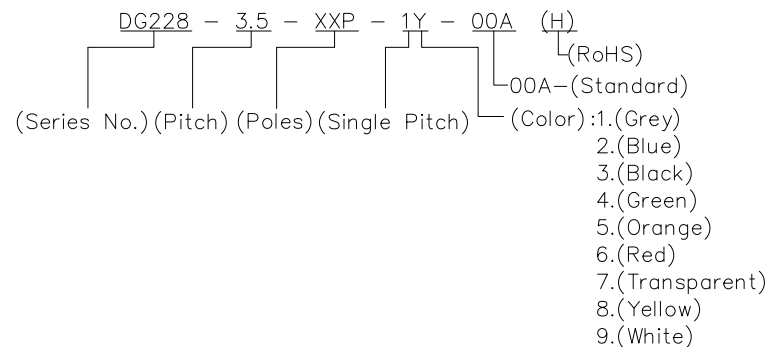
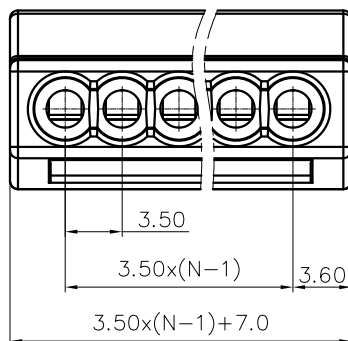
- UL Standard
- 1.Rated voltage/current : 600V / 15A
- 2.Wire range : 22~14AWG
- IEC Standard
- 1.Rated voltage/current : 450V / 24A
- 3.Wire range : 0.5~2.5mm²

NOTES2:

- 1.Dimension shall be interpreted per ASME Y14.5-2009
- 2.Pitch : 3.50mm, Poles : N=2,3,4,5,8P
- 3.Stripping length : 10~13mm
- 4.Withstanding voltage : AC2500V/1Min
- 5.Operating temperature: -40°C~+105°C
- 6.Undimensioned tolerances:

Pitch range in mm			Nominal dimension range in mm					Tolerances	
TO 6	Over 6 TO 10	Over 10 TO 24	TO 30	Over 30 TO 60	Over 60 TO 100	Over 100 TO 150	Over 150	0.1/10	±2'
±0.15	±0.20	±0.30	±0.30	±0.50	±0.70	±1.00	±1.30		

7.RoHS Compliance



DETACHED LISTS	PART NO.:	宁波高松电子有限公司 NINGBO DEGSON ELECTRICAL CO., LTD			
	APPD:	NAME: DG228-3.5-XXP-1Y-00A(H)			
	CHKD:	TITLE: CUSTOMER DRAWING			
	DRFT:	DRAWING NO.:		REV	DO
		SHEET 1/1 DO NOT SCALE DRAWING		SCALE 1:1	