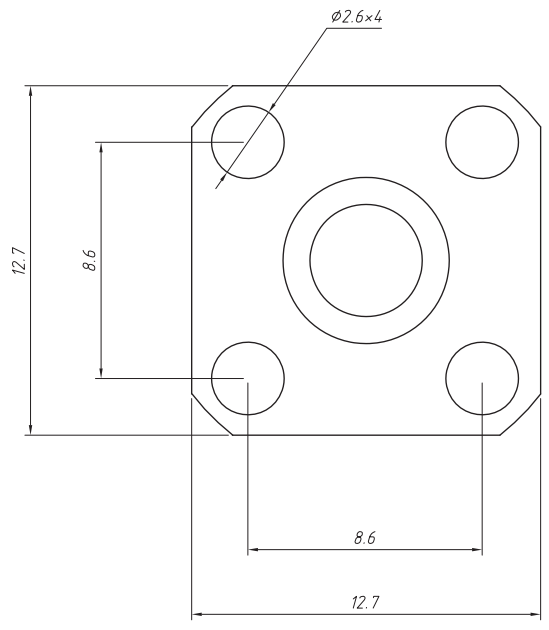
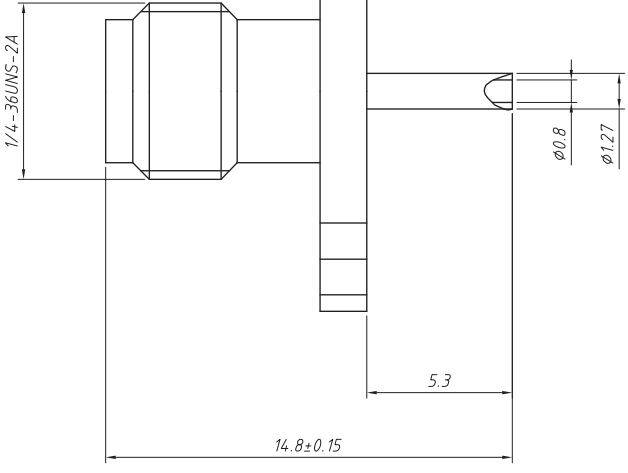


RoHS Compliance



Specifications:
 Impedance: 50 Ω
 Frequency Range: 0-3GHz
 Material: Brass
 Surface: Gold Plating
 Durability: 500 Cycles Min

ANGLE TOLERANCE	PROJECTION	Description:	Flange Panel Mount SMA Connector With Jack Female Straight Type
±3°			
GENERAL TOLERANCE	UNITS	mm	
x.x ±0.30	SHEET SIZE	A4	
x.xx ±0.20	Draw:	Daniel	2018-07-10
x.xxx ±0.10	Check:	Daniel	2018-07-10

CONNTERM