

CONNTHERM

Switch

Rocker Switch Series

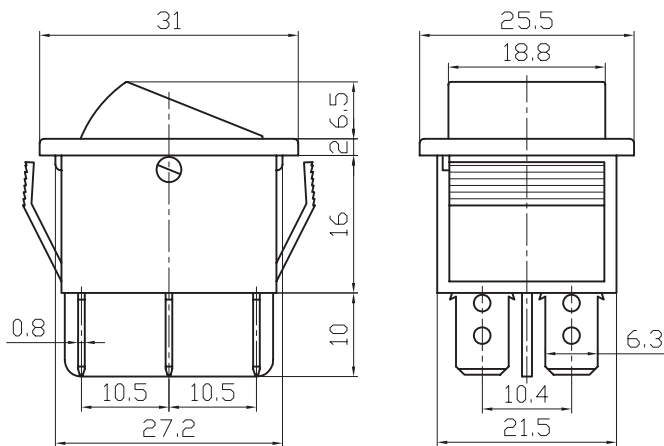
MATERIAL

1. Housing: Nylon 66
2. Rocker: PC & PA66
3. Contacts: Silver Alloy
4. Terminal: Brass Silver Plated
5. Lamp: Neon Lamp, Tungsten Lamp
6. Spring: SWP, SUS
7. Movable Arm: Brass Silver Plated



ELECTRICAL

1. Electrical Rating: 16(4)A 250VAC T85
16(4)A 250VAC T125/55 1E4
16A 125V/8A 250AC
(H)Rating: 16(8)A 250VAC T85/55 1E4
2. Mechanical life: Over 30000 Cycles
3. Electrical life: Over 10000 Cycles
4. Contact Resistance: <math><20\text{m}\Omega</math>
5. Insulation Resistance: >1000M Ω
6. High Voltage Resistance: >1500V 1 min
7. Ambient Temperature: Terminal Side -20°C~+85°C; Actuating Side -20°C~+55°C
8. Storage Temperature: -30°C~+80°C Max
9. Atmospheric Humidity: Max 85%
10. Actuating force: 4~8N (depends on different switch function)
11. Flammability: UL94 V-2
12. Temperature rise at the terminal: Max 30°C (UI1054)
13. Solder ability of terminal: Max 350°C 3S



Cap Type

