

# CONNTERM

## Switch

### Rocker Switch Series

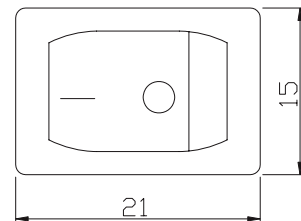
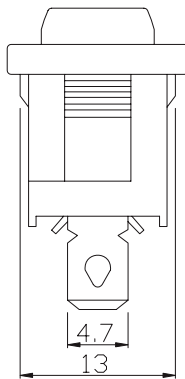
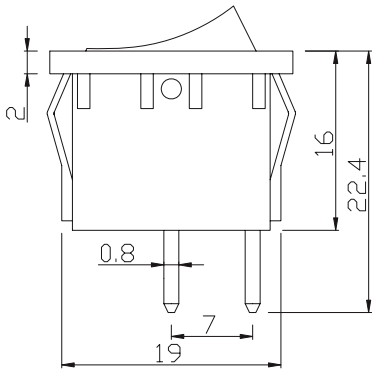
#### MATERIAL

1. Housing: Nylon 66
2. Rocker: PC & PA66
3. Contacts: Silver Alloy
4. Terminal: Brass Silver Plated
5. Lamp: Neon Lamp, Tungsten Lamp
6. Spring: SWP, SUS
7. Movable Arm: Brass Silver Plated



#### ELECTRICAL

1. Electrical Rating: 6(4)A 250VAC / 10A 125VAC
2. Mechanical life: Over 30000 Cycles
3. Electrical life: Over 10000 Cycles
4. Contact Resistance:  $\leq 50\text{m}\Omega$
5. Insulation Resistance:  $\geq 100\text{M}\Omega$
6. High Voltage Resistance:  $>1500\text{V}$  1 min
7. Ambient Temperature: Terminal Side  $-20^{\circ}\text{C}\sim+85^{\circ}\text{C}$ ;  
Actuating Side  $-20^{\circ}\text{C}\sim+55^{\circ}\text{C}$
8. Storage Temperature:  $-30^{\circ}\text{C}\sim+80^{\circ}\text{C}$  Max
9. Atmospheric Humidity: Max 85%
10. Actuating force: 4~8N (depends on different switch function)
11. Flammability: UL94 V-2
12. Temperature rise at the terminal: Max  $30^{\circ}\text{C}$  (UI1054)
13. Solder ability of terminal: Max  $350^{\circ}\text{C}$  3S



Panel hole size

