

ZONE	REV.	DESCRIPTION	DATE	SIGNATURE
①	1	Change wires to cable	05.04.2015	Inna

SPECIFICATIONS

HOUSING MATERIAL: ALUMINIUM 6061 T651

① CONNECTION: Cable, 24AWG, 600±20mm LONG

SWITCHING VOLTAGE: 1 - 24V AC/DC

SWITCHING CURRENT: 0.200 A

SWITCH RESISTANCE "ON": <20 W

SWITCH RESISTANCE "OFF": >5 M W

ACTUATION FORCE: 3-5 N

MAKE IMPULSE TIME: 125-300 mSEC

OPERATING TEMP: -20°C TO +70°C

STORAGE TEMP: -40°C TO +85°C

LED RED/GREEN L-42WSURKCGKWT-RY

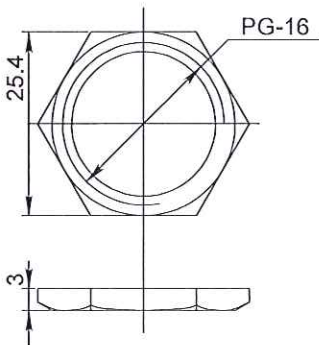
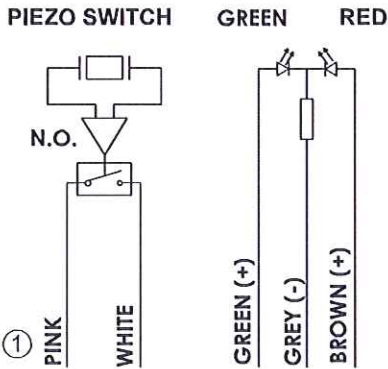
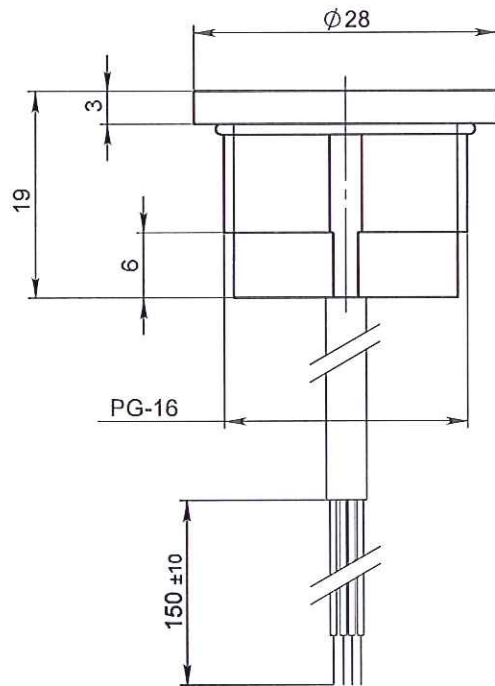
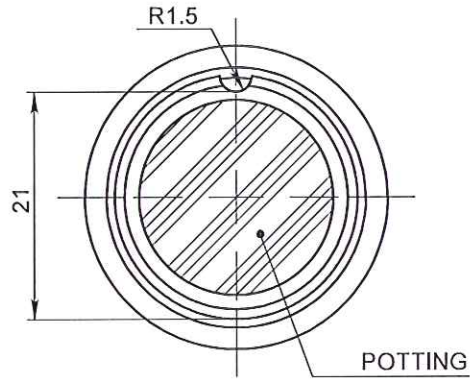
LED Operating Voltage : 5V DC max

LED current consumption : 15 mA max.

FINISH

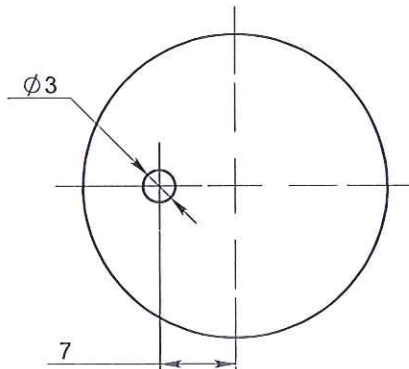
ANODIZE THICKNESS: 17-19 m

ANODIZE COLOR: NAURAL



NUT MATL.: BRASS Ni COATED

Scale 1:1



Handwritten notes:
7/14/2015
Jeyaraj
IT/DTI

Itemref	Quantity	Title/Name, designation, material, dimension etc	Tolerance ±0.1		Article No./ Ref.
Approved by Yossi Barkan	Designed by Lilya Tavzland	Filename	Draw. Num.	Scale	Draw.Date
	APPROVED By Inna at 9:43 am, Apr 07, 2015	10802037_907_010	907_010	1.5:1	02.06.2013
		Baran House 8 Omarim St. Omer Industrial Area 84965 Israel Tel. 972-8-6200020 fax 972-8-6200021		CSML1AAC4051N R/G Led5V Super Bright,Cable 60cm	
		Cat. Num. 10802037	Edition 1	Sheet 1/1	