

Scale 1:1



SPECIFICATIONS

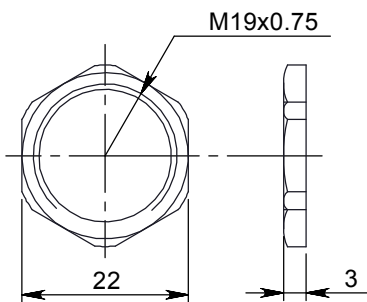
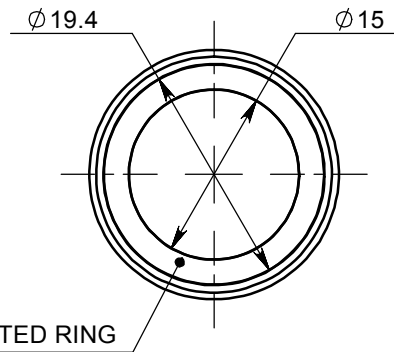
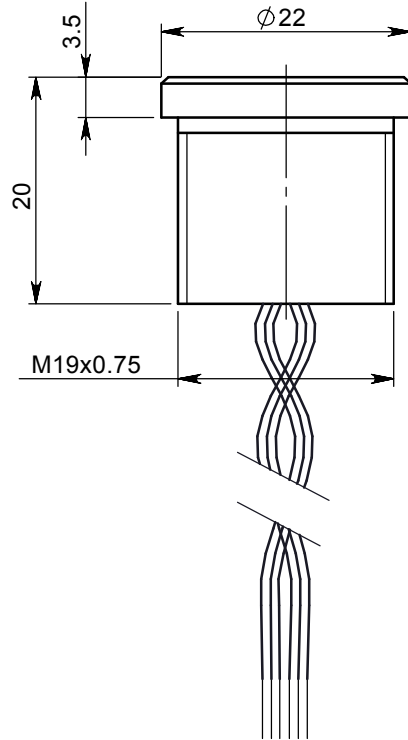
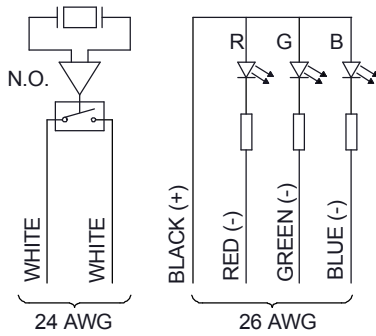
HOUSING MATERIAL: ALUMINIUM 6061 T651
 CONNECTION: PVC WIRES 300±10mm LONG
 SWITCHING VOLTAGE: 1 - 24V AC/DC
 SWITCHING CURRENT: 0.200 A
 SWITCH RESISTANCE "ON": <20 OHM
 SWITCH RESISTANCE "OFF": >5 M OHM
 ACTUATION FORCE: 3-5 N
 MAKE IMPULSE TIME: 125-300 mSEC
 OPERATING TEMP: -20 °C TO +70 °C
 STORAGE TEMP: -40 °C TO +85 °C

LED Operating Voltage : 12V DC max
 LEDs max current consumption at 12V:
 RED 18 mA
 GREEN 9 mA
 BLUE 27 mA

FINISH

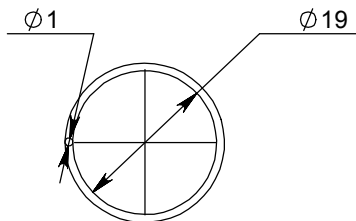
ANODIZE THICKNESS: 6-10 µ
 ANODIZE COLOR: NATURAL

PIEZO SWITCH



NUT

Material: Brass (Ni coated)



O-RING

Material: NBR
 (Acrylianitrite-butadiene rubber)

Tolerance ±0.1					
Itemref	Quantity	Title/Name, designation, material, dimension etc			Article No./ Ref.
Approved by Ami Friedman	Designed by Liya Tayzland Approved By lilyvat at 13 לירפא 15 10:36	Filename 16008100_906-061	Draw. Num. 906-061	Scale -	Draw.Date 31.08.2010
		Baran House 8 Omarim St. Omer Industrial Area 84965 Israel Tel. 972-8-6200020 fax 972-8-6200021		SBR5AAW8121N, Nat', Wires, Led RGB 12V	
		Cat. Num.	16008100	Edition	1 Sheet 1/1