

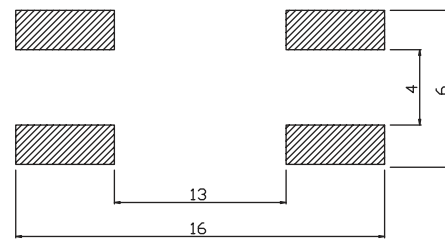
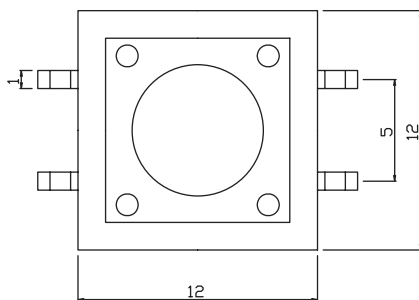
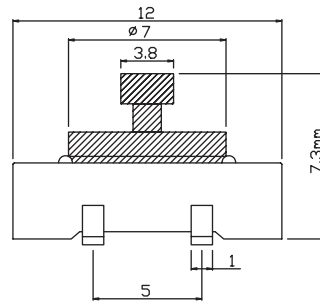
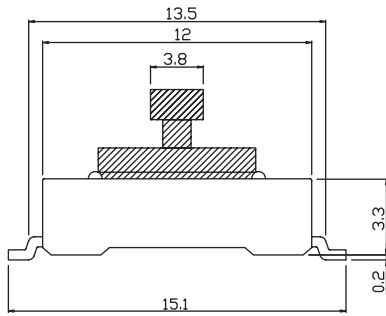
# CONNTHERM

## Switch

### 12x12 Tact Switch Series

#### ELECTRICAL

1. Rating: 50mA 12VDC
2. Contact Resistance : 50m $\Omega$  max(initial)
3. Insulation Resistance: 100M $\Omega$ (minDC 250V)
4. Dielectric Strength : AC250V(50/60Hz for 1minute)
5. Electrically Life: 100000cycles
6. Environment temperature: -20°C~+70°C
7. Operating Force: 180/250( $\pm$ 30gf)
8. Seal temperature: 260°C~ 280°C



PCB LAYOUT