

CONN THERM

Switch

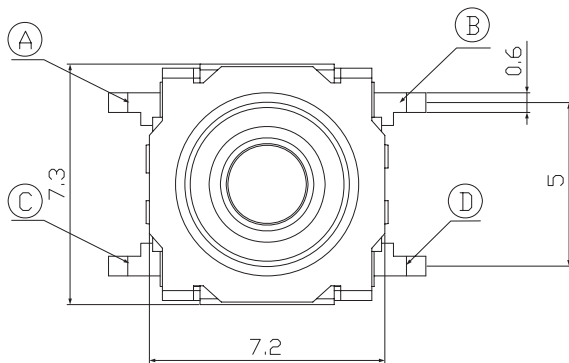
7x7 mm blue waterproof SMD Tact

Electrical:

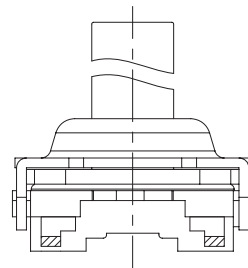
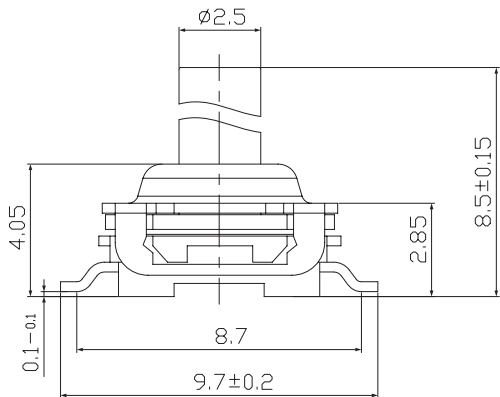
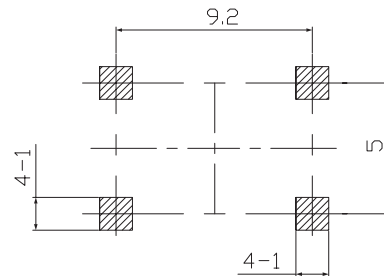
1. Rating: 50mA 12V DC
2. Travel: 0.35 ± 0.1 mm
3. Contact Resistance : $100 \text{ m}\Omega$ Max
4. Electrically Life: 100000 cycles Min.
5. Operating Force: 180 ± 50 gf
6. Environment temperature: $-30^\circ\text{C} \sim +80^\circ\text{C}$

Materials:

1. Insert: H62Y & $=0.30$, Silver
2. Base: PPA, Blue
3. Shrapnel: Stainless steel
4. Waterproof membrane: Silica gel
5. Cap: PPA, Blue
6. Tensile plate: H65M & $=0.30$, Copper tin



印制线路板
P. C. B layout



电路简图
SCHEMATIC

